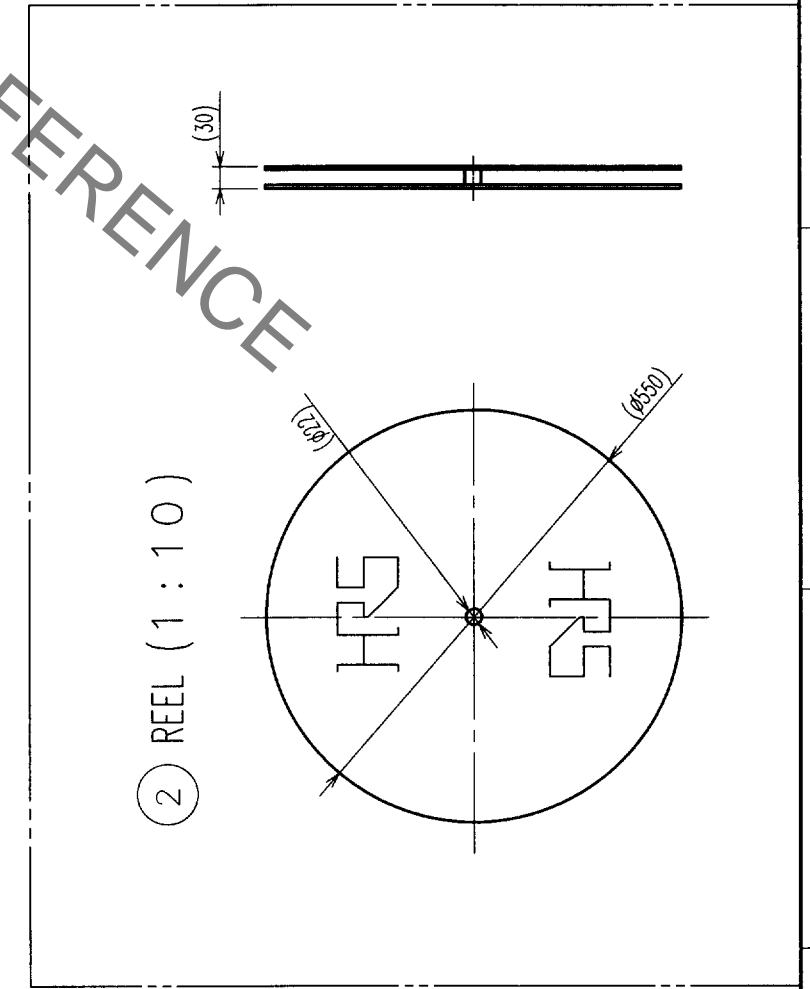
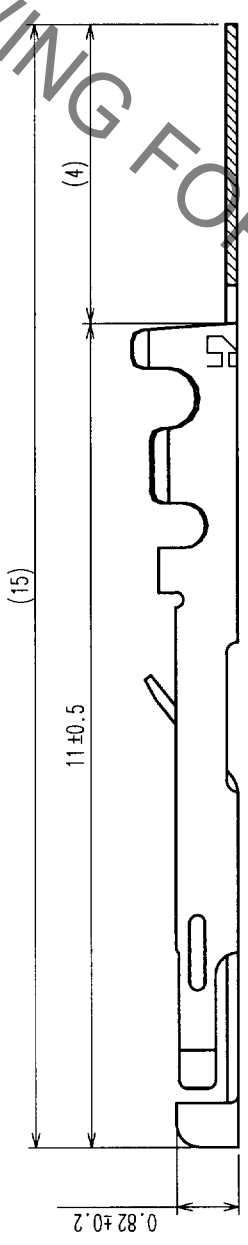
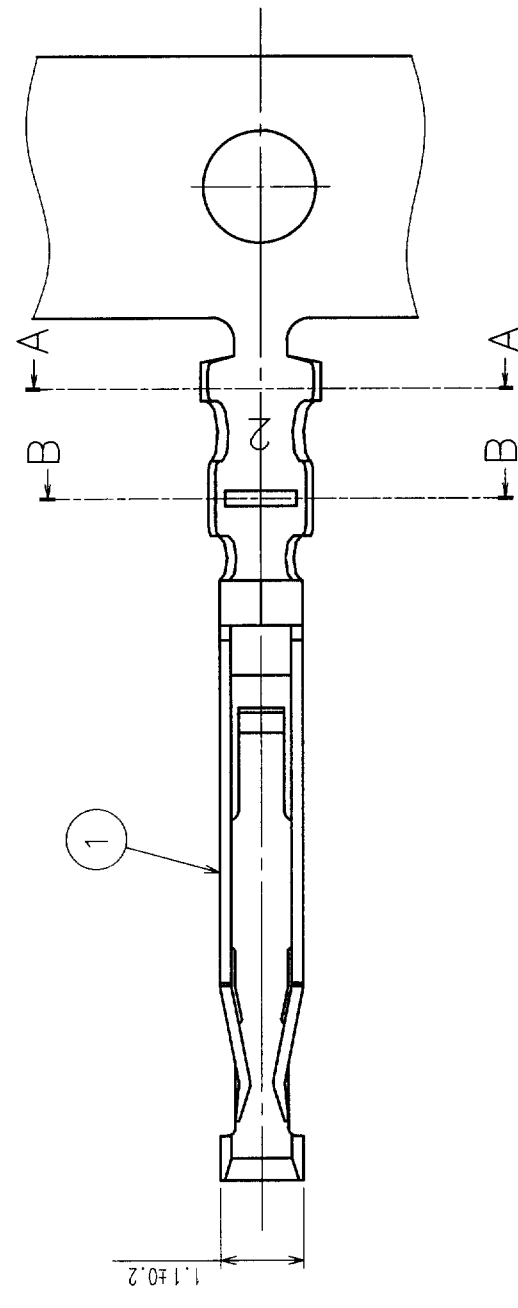
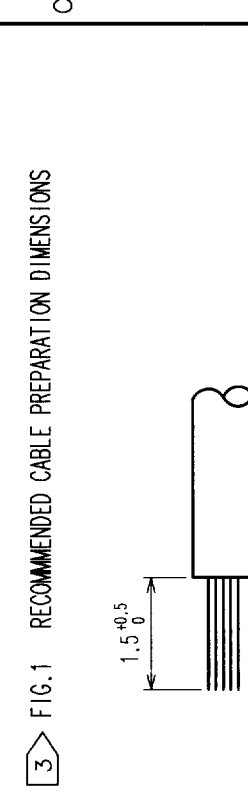
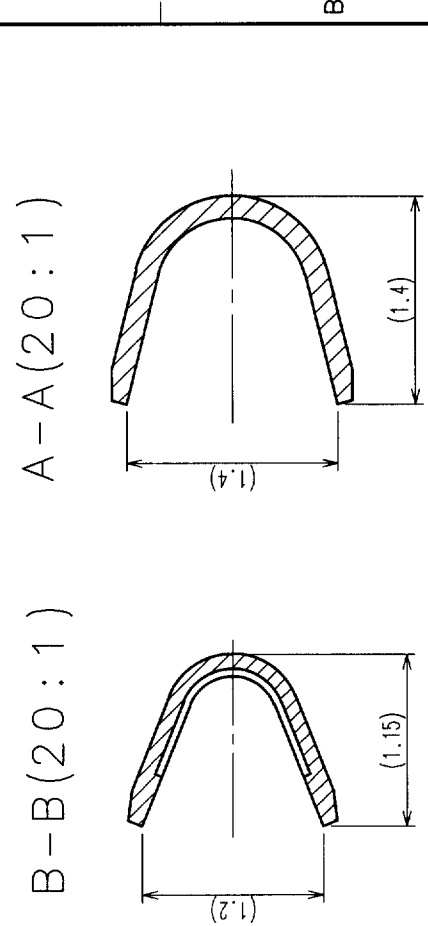


In case of consideration for usigg Automotive equipment / device which demand high reliability, kindly contact our sales window correspondents.

Jun.1.2019 Copyright 2019 HIROSE ELECTRIC CO., LTD. All Rights Reserved.

COUNT	DESCRIPTION OF REVISIONS	BY	CHKD	DATE	COUNT	DESCRIPTION OF REVISIONS	BY	CHKD	DATE
△					△				
△					△				
△					△				



NOTES 1 THIS PRODUCT IS APPLY TO THE WIRE 26-30 AWG(WIRE JACKET DIAMETER φ1 MAX).
 2 PER REEL:10000 CONTACTS
 3 RECOMMENDED CABLE PREPARATION DIMENSIONS ARE SHOWN IN FIG.1.

1	PHOSPHOR BRONZE	SELECTIVE GOLD PLATING	2	CARTON	(TERMINAL WINDING REEL)
NO.	MATERIAL	FINISH, REMARKS	NO.	MATERIAL	FINISH, REMARKS
CODE NO. (OLD)	DRAWN		DESIGNED	CHECKED	APPROVED
	H,Zemba		H,Zemba	E.Kunii	M.Gyokida
	01-01-05		01-01-05	01-01-05	01-01-10
	PART NO.		HR30-SC-211		
	DRAWING NO.		EDC3-112453		
SCALE	10 : 1				
UNITS	MM				
	CODE NO.		CL130-0017-3		

TO	
R	

HRS DRAWING FOR REFERENCE