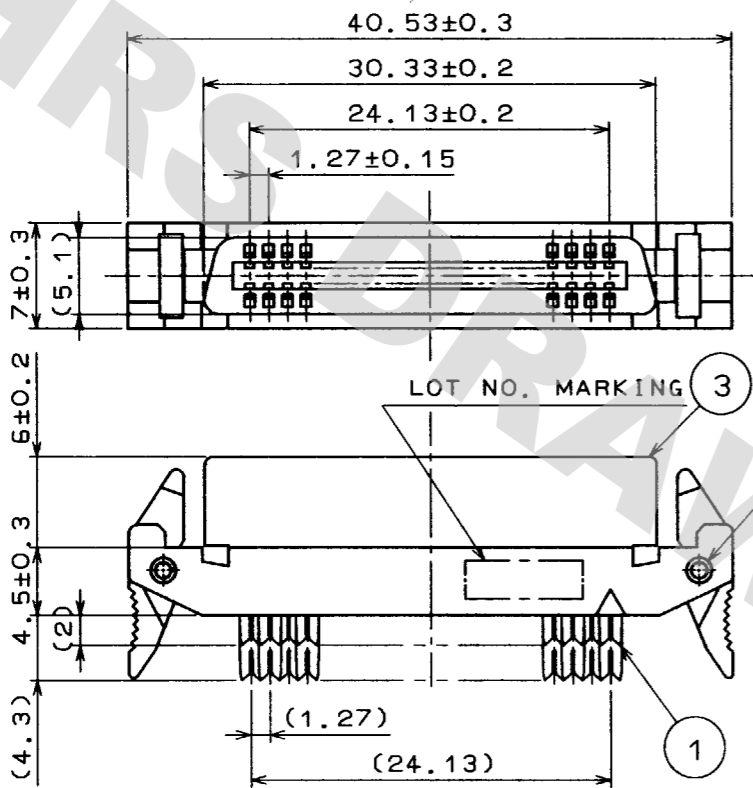
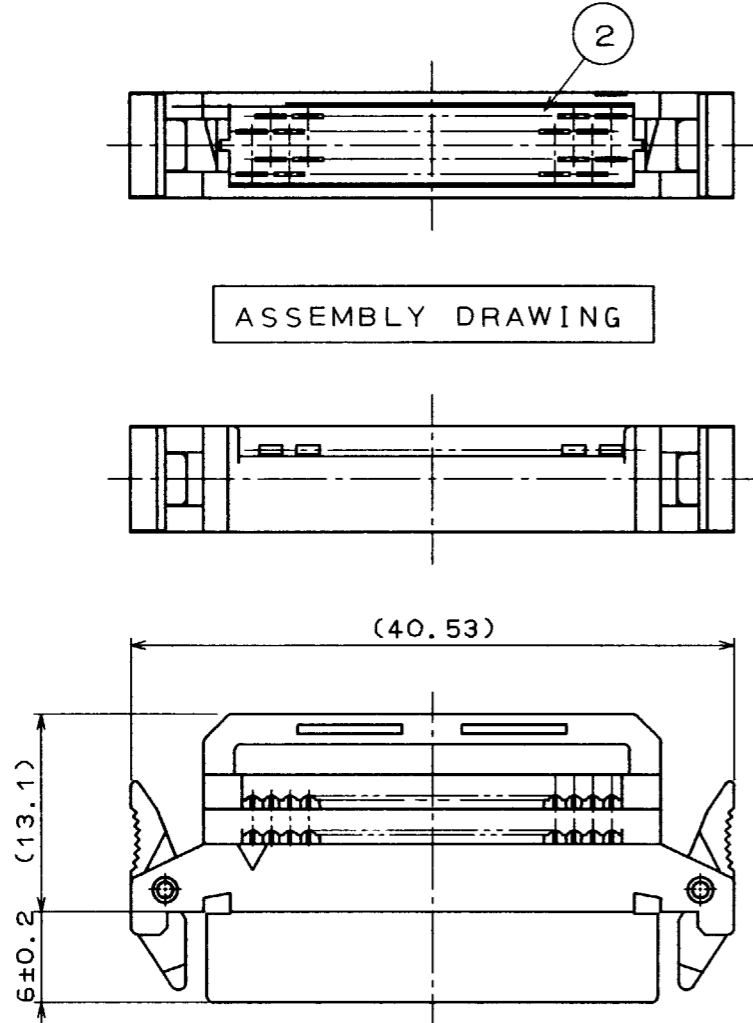


COUNT	DESCRIPTION OF REVISIONS	BY	CHKD	DATE	COUNT	DESCRIPTION OF REVISIONS	BY	CHKD	DATE

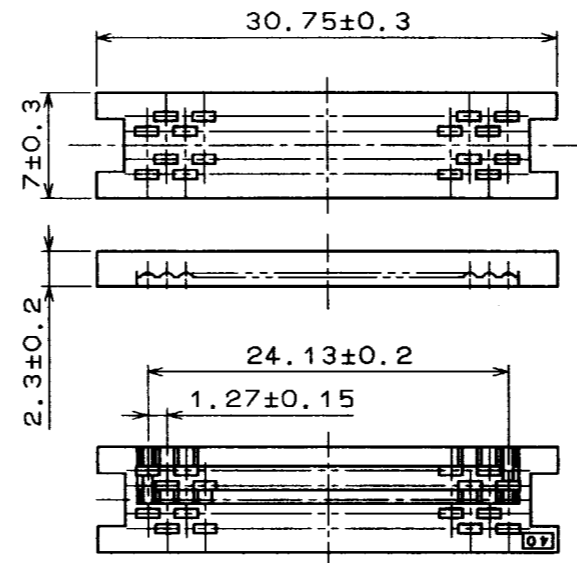
BODY



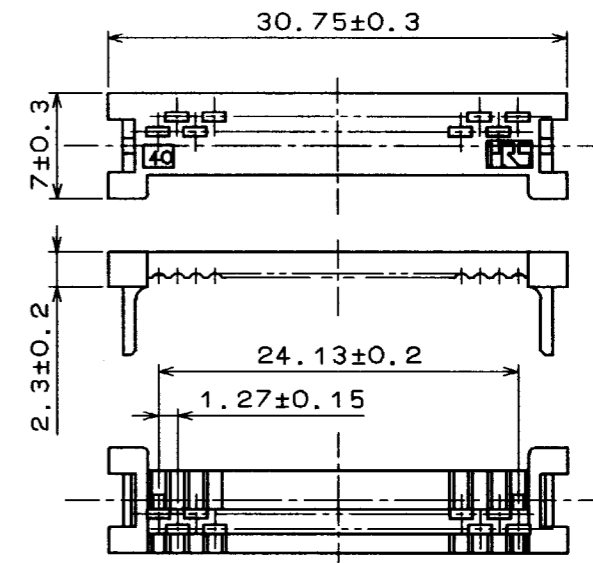
ASSEMBLY DRAWING



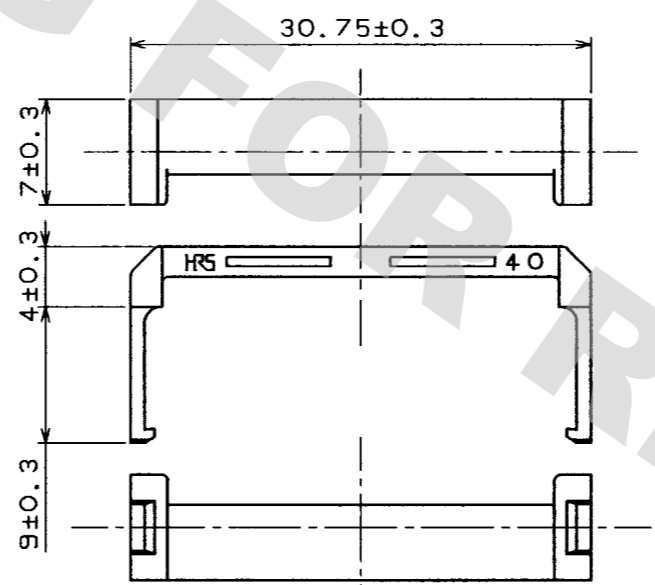
PROTECTOR (A)



PROTECTOR (B)



CABLE CLAMP



NOTE

- 1 NO.1~6 ARE ATTACHED PARTS.
- 2 CONTACT AREA : GOLD FLASH OVER NICKEL
HARNESS AREA : NICKEL PLATED

4	PBT	BLACK UL94V-0	8	POLYAMIDE	BLACK UL94V-0
3	PBT	BLACK UL94V-0	7	PBT	BLACK UL94V-0
2	PBT	BLACK UL94V-0	6	PBT	BLACK UL94V-0
1	PHOSPHOR BRONZE	2	5	SUS	
NO.	MATERIAL	FINISH, REMARKS	NO.	MATERIAL	FINISH, REMARKS

CODE NO. (OLD)	DRAWN	DESIGNED	CHECKED	APPROVED	RELEASED
	J. Takada	Takada	H. Obara	M. Yamaguchi	
	97.5.9	97.5.9	97.05.09	97.05.09	

SCALE 2 : 1	DRAWING NO. EDC3-150612	PART NO. FX2B-40SA-1.27R
UNITS mm	HRS HIROSE ELECTRIC CO., LTD.	CODE NO. CL572-0623-8
		1/1

DRAWING FOR REFERENCE: This is subject to change without notice
08/11/2012

TO	
PCM	