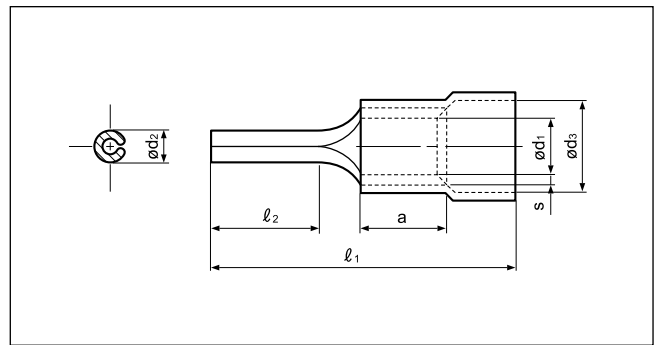


Non-insulated

Applicable Wire mm ²	Part No.	Nominal Size	Dimensions mm (in.)							Tool No.	Qty/box
			$\varnothing d_2$	l_1	l_2	a	$\varnothing d_1$	s			
0.5 to 1	PC-1.25	1	1.9 (.075)	17.0 (.669)	10.0 (.394)	5.0 (.197)	1.6 (.063)	0.8 (.031)	WC-0510DIN	1,000	
	PC-1.25 F-10	15.0 (.591)		8.0 (.315)							
	PC-1.25 F-7	12.0 (.472)		5.0 (.197)							
>1 to 2.5	PC-2	2.5	1.9 (.075)	17.0 (.669)	10.0 (.394)	5.0 (.197)	2.3 (.091)	0.8 (.031)			1,000
	PC-2 F-17	22.0 (.866)		15.0 (.591)	500						
	PC-2 F-7	12.0 (.472)		5.0 (.197)	1,000						
>2.5 to 6	PC-5.5	6	2.7 (.106)	20.0 (.787)	10.0 (.394)	6.0 (.236)	3.6 (.142)	1.0 (.039)	500		

Note: 1) Contact J.S.T.(U.K.) Ltd for the above tools.
 2) Reference: DIN46230 Contact J.S.T. DEUTSCHLAND GMBH for details.
 3) Delivery lead times may vary depending on the product. Contact JST for details.



Vinyl-insulated

Applicable Wire mm ²	Part No.	Nominal Size	Dimensions mm (in.)							Color	Tool No.	Qty/box	
			$\varnothing d_2$	l_1	l_2	a	$\varnothing d_1$	$\varnothing d_3$	s				
0.5 to 1	FVGSPC-1	1	1.9 (.075)	22.0 (.866)	10.0 (.394)	5.0 (.197)	1.6 (.063)	3.4 (.134)	0.8 (.031)	WC-2210DIN	1,000		
	FVGSPC-1 F-7	17.0 (.669)		5.0 (.197)									
>1 to 2.5	FVGSPC-2.5	2.5	1.9 (.075)	23.0 (.906)	10.0 (.394)	5.0 (.197)	2.3 (.091)	4.3 (.169)	0.8 (.031)			1,000	
	FVGSPC-2.5 F-17	28.0(1.102)		15.0 (.591)	500								
>2.5 to 6	FVGSPC-6	6	2.7 (.106)	26.0(1.024)	10.0 (.394)	6.0 (.236)	3.6 (.142)	6.4 (.252)	1.0 (.039)			Yellow	1,000

Note: 1) Contact J.S.T.(U.K.) Ltd for the above tools.
 2) Reference: DIN46231 Contact J.S.T. DEUTSCHLAND GMBH for details.
 3) Delivery lead times may vary depending on the product. Contact JST for details.

Nylon-insulated

Applicable Wire mm ²	Part No.	Nominal Size	Dimensions mm (in.)							Color	Tool No.	Qty/box	
			$\varnothing d_2$	l_1	l_2	a	$\varnothing d_1$	$\varnothing d_3$	s				
0.1 to <0.5	FNGSPC-0.5		1.2 (.047)	18.0 (.709)	8.0 (.315)	4.0 (.157)	1.0 (.039)	2.2 (.087)	0.6 (.024)	Yellow	—	2,000	
0.5 to 1	FNGSPC-1	1	1.9 (.075)	22.0 (.866)	10.0 (.394)	5.0 (.197)	1.6 (.063)	3.4 (.134)	0.8 (.031)	WC-2210DIN	1,000		
	FNGSPC-1 F-10	20.0 (.787)		8.0 (.315)									
>1 to 2.5	FNGSPC-2.5	2.5	1.9 (.075)	23.0 (.906)	10.0 (.394)	5.0 (.197)	2.3 (.091)	4.3 (.169)	0.8 (.031)			1,000	
	FNGSPC-2.5 F-17	28.0(1.102)		15.0 (.591)	500								
>2.5 to 6	FNGSPC-6	6	2.7 (.106)	26.0(1.024)	10.0 (.394)	6.0 (.236)	3.6 (.142)	6.4 (.252)	1.0 (.039)			Yellow	1,000

Note: 1) Contact J.S.T.(U.K.) Ltd for the above tools.
 2) Reference: DIN46231 Contact J.S.T. DEUTSCHLAND GMBH for details.
 3) Delivery lead times may vary depending on the product. Contact JST for details.