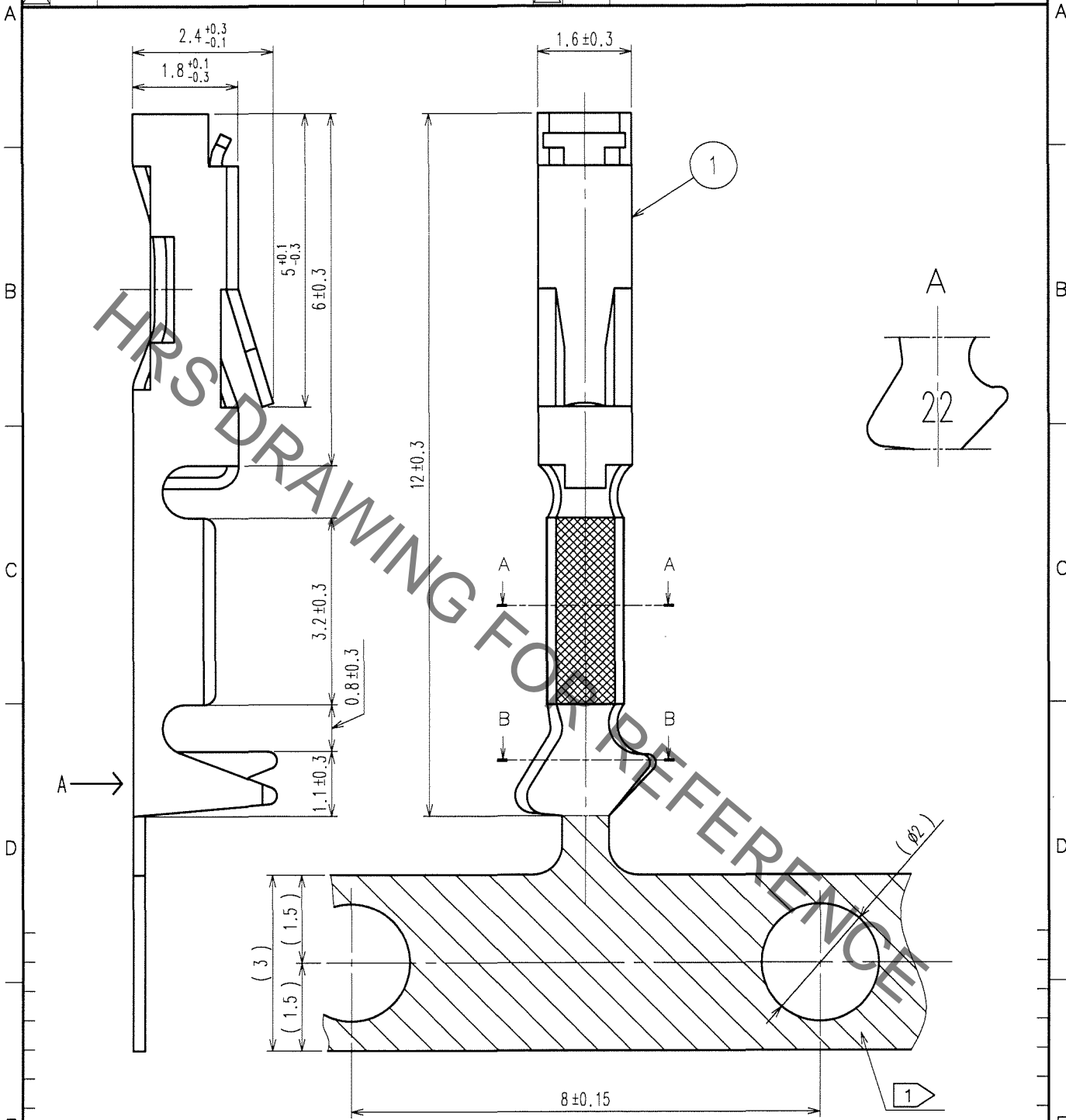


Jun.1.2019 Copyright 2019 HIROSE ELECTRIC CO., LTD. All Rights Reserved.
 In case of consideration for using Automotive equipment / device which demand high reliability, kindly contact our sales window correspondents.

1		2			3			4		
COUNT	DESCRIPTION OF REVISIONS	BY	CHKD	DATE	COUNT	DESCRIPTION OF REVISIONS	BY	CHKD	DATE	
△					△					
△					△					
△					△					



1	PHOSPHOR BRONZE	CONTACT AREA:GOLD 0.2μ m min. BARREL AREA:GOLD FLASH UNDER PLATING:NICKEL 1μ m min.	NOTE	1	AREA:NICKEL FINISHING
NO.	MATERIAL	FINISH, REMARKS	NO.	MATERIAL	FINISH, REMARKS
CODE NO. (OLD) CL		DRAWN K. NAKAMURA 06.04.13	DESIGNED K. NAKAMURA 06.04.13	CHECKED Y. Ogawa 06.04.14	APPROVED H. Okawa 06.04.17
DRAWING NO. EDC4-016225		PART NO. HIF3-2226SCF			
SACLE 10 : 1		CODE NO. CL562-0080-7			1/1
UNITS mm		HRS HIROSE ELECTRIC CO.,LTD.			1/1

TO
PCK