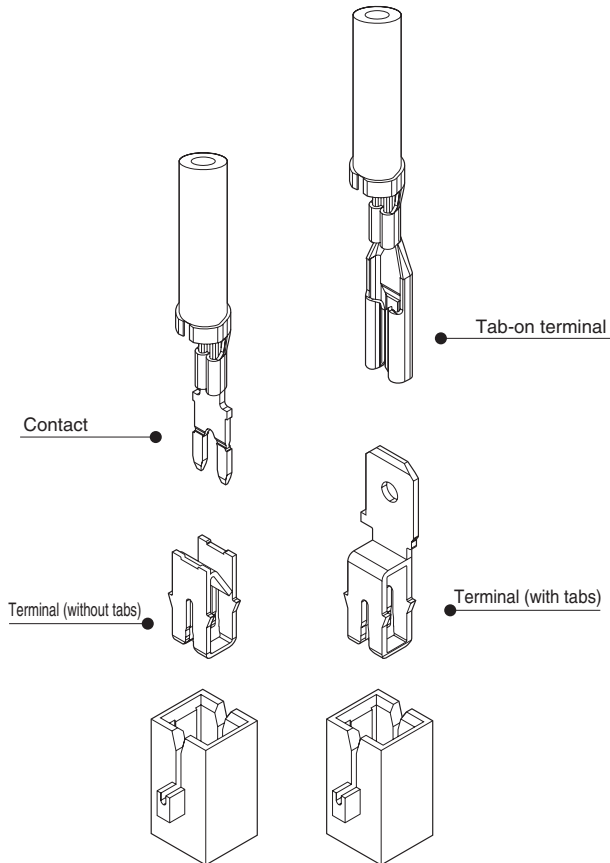


# MG CONNECTOR

## *MG connector typical connection method and kind*



***MG connector is designed for connecting copper magnetic wire and used in various insulation coating. Insertion of various magnetic wires is easy and efficient, and MG connector provides excellent electrical connection.***

- ***No coating removing treatment in advance***
- ***Stable connection***
- ***Reliable electrical performance***

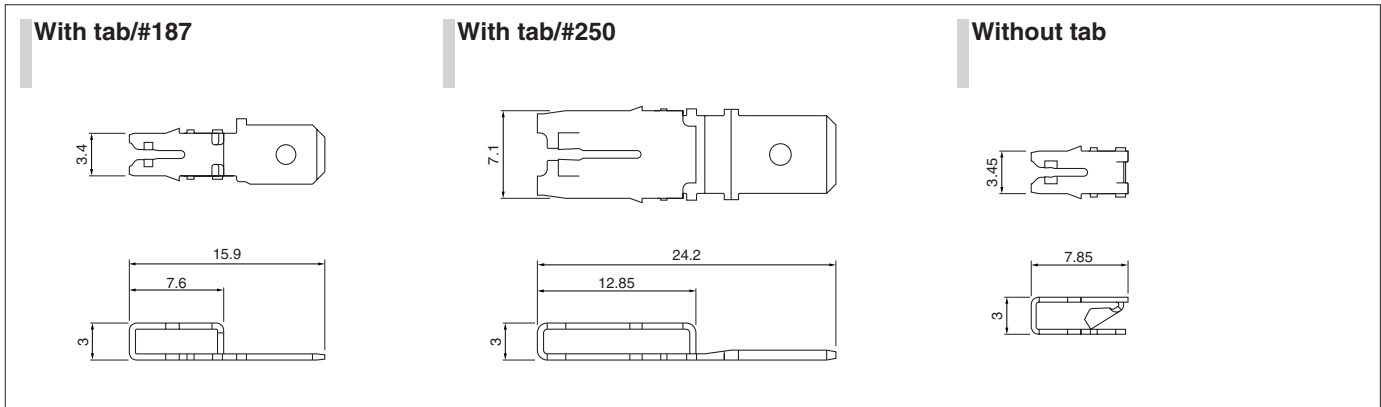
## **Standards**

 Recognized E70188

- \* Compliant with RoHS.
- \* Refer to "General Instruction and Notice when using Terminals and Connectors" at the end of this catalog.
- \* Contact JST for details.

# MG CONNECTOR

## Terminal



Type	Model No.	Applicable wire (Reference)			Q'ty / reel
		Tin-plated	Conductor O.D. (mm)	AWG #	
With tabs	#187...for 0.5mm thick tabs	<b>MGT-10T-187</b>	0.36~0.57	27~23	10,000
		<b>MGT-15T-187</b>	0.64~0.81	22~20	10,000
		<b>MGT-24T-187</b>	0.91~1.29	19~16	10,000
Without tabs	—	* <b>MGT-24T-250</b>	0.91~1.29	19~16	5,000
		* <b>MGT-6TN</b>	0.25~0.36	30~27	10,000
		* <b>MGT-10TN</b>	0.36~0.57	27~23	10,000
		* <b>MGT-15TN</b>	0.64~0.81	22~20	10,000
		* <b>MGT-24TN</b>	0.91~1.15	19~17	10,000

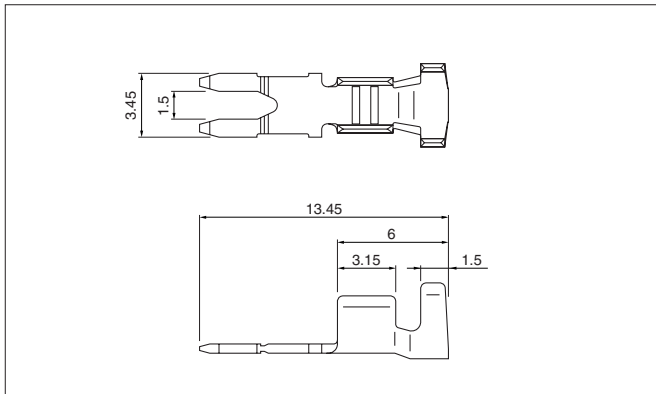
### Material and Finish

Copper alloy, copper-undercoated, tin-plated

**RoHS compliance** MGT-( )T-187 displays (SN) on a label.

Note: 1. The applicable wire size above serves as a basic guideline. Before use, performance of this connector must be tested with the wire and housing that is to be used.  
2. \*Marked products are not UL approved.

## Contact



Model No.	Applicable wire		Insulation O.D. (mm)	Q'ty / reel
	mm <sup>2</sup>	AWG #		
* <b>SMG-21T</b>	0.33~0.83	22~18	1.5~2.9	6,000

### Material and Finish

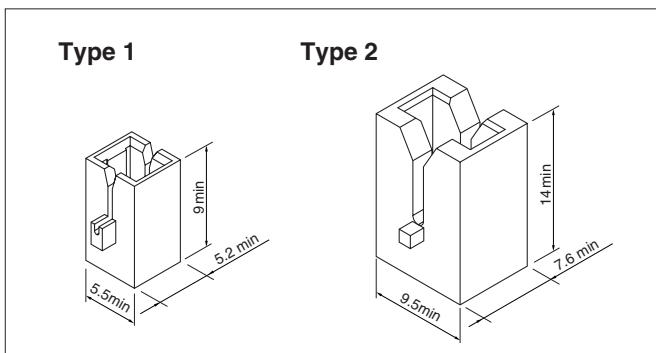
Copper alloy, copper-undercoated, tin-plated

**RoHS compliance**

Note: \*Marked product is not UL approved.

Contact	Crimping machine	Applicator		
		Crimp applicator	Dies	Crimp applicator with dies
<b>SMG-21T</b>	AP-K2N	MKS-L	MK/SMG-21	APLMK SMG21
			MK/SMG-21-B	APLMK SMG21-B

## Recommended housing



Name	Applicable terminal	Material
Type 1	<b>MGT-10T-187</b>	Glass filled engineering plastics
	<b>MGT-15T-187</b>	
	<b>MGT-24T-187</b>	
	* <b>MGT-6TN</b>	
	* <b>MGT-10TN</b>	
	* <b>MGT-15TN</b>	
Type 2	* <b>MGT-24TN</b>	
	* <b>MGT-24T-250</b>	

Note: 1. Contact JST for details.

2. \*Marked products are not UL approved.