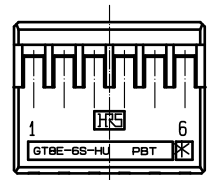
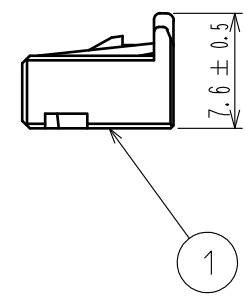
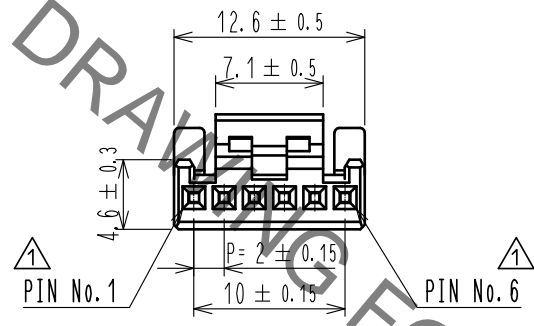
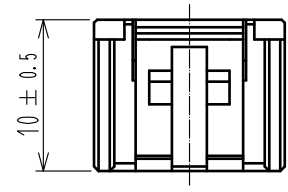


Jun.1.2019 Copyright 2019 HIROSE ELECTRIC CO., LTD. All Rights Reserved.
 In case of consideration for using Automotive equipment / device which demand high reliability, kindly contact our sales window correspondents.

ELV. RoHS COMPLIANT

① Delete unnecessary lines



NOTE.1 CONTACT: GT8E-2022SCF(CL758-0033-4)
 GT8B-2428SCF(CL758-0055-7)

1	PBT	BLACK						
NO.	MATERIAL	FINISH	REMARKS	NO.	MATERIAL	FINISH	REMARKS	
UNITS mm		SCALE 2 : 1	COUNT ① 3	DESCRIPTION OF REVISIONS DIS-T-00003720		DESIGNED DONGCHAN KIM	CHECKED HS.OZAWA	DATE 18.08.27
HIROSE ELECTRIC CO., LTD.		APPROVED : KS. SATOH	08.04.25	DRAWING NO.		EDC4-166703-00		
		CHECKED : AR. SHIRAI	08.04.25	PART NO.		GT8E-6S-HU		
		DESIGNED : YN. KADOTA	08.04.22	CODE NO.		CL758-0048-1-00		
		DRAWN : YN. KADOTA	08.04.22			① 1/1		