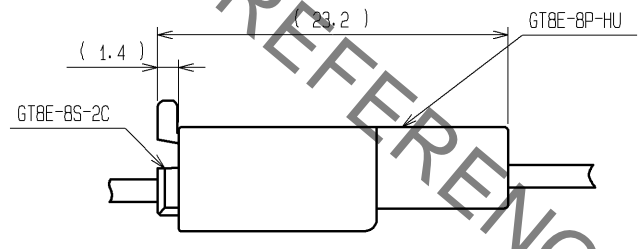
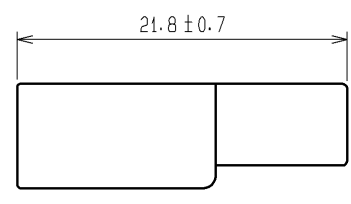
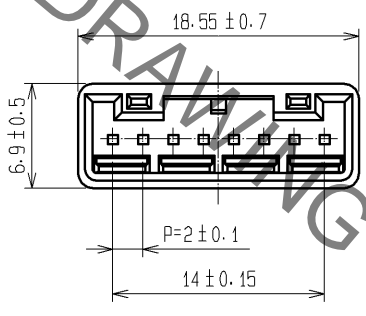
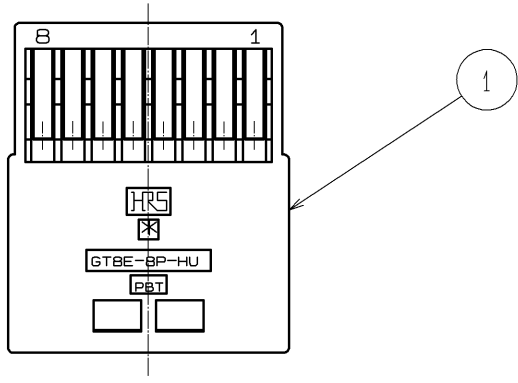


Jun.1.2019 Copyright 2019 HIROSE ELECTRIC CO., LTD. All Rights Reserved.
 In case of consideration for using Automotive equipment / device which demand high reliability, kindly contact our sales window correspondents.

ELV. RoHS COMPLIANT



MATING CONFIGURATION

1	PBT	BLACK						
NO.	MATERIAL	FINISH	REMARKS	NO.	MATERIAL	FINISH	REMARKS	
UNITS mm		SCALE 2 : 1	COUNT 	DESCRIPTION OF REVISIONS		DESIGNED	CHECKED	DATE
HIROSE ELECTRIC CO., LTD.		APPROVED : AR. SHIRAI	10.09.07	DRAWING NO. EDC4-166654-01				
		CHECKED : AR. SHIRAI	10.09.07	PART NO. GT8E-8P-HU				
		DESIGNED : NA. HARUBAYASHI	10.09.06	CODE NO. CL758-0038-8-00				
		DRAWN : Chindaik.Ng	10.09.06					