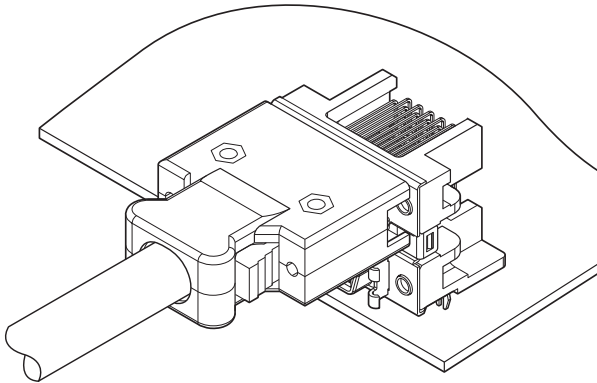


MS CONNECTOR

For Interface



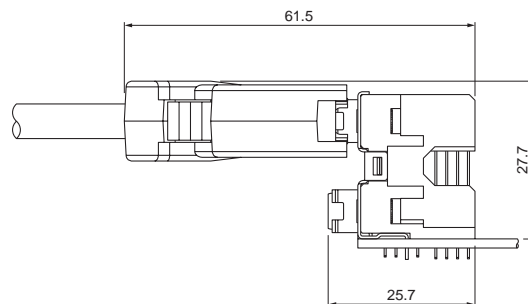
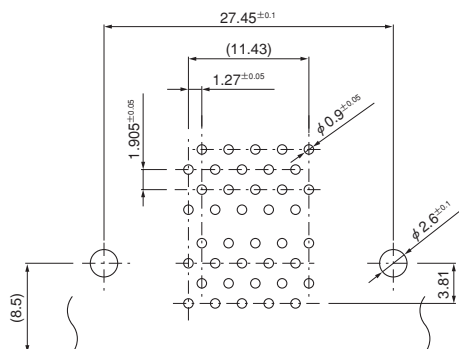
- Structure of unifying shell and metal hooks
- Double stack type receptacle
- Two kinds of plug locking device (Screw lock/ Latch lock)
- Wire soldering type

Specifications

- Current rating: 1.0 A AC, DC
- Voltage rating: 250 V AC, DC
- Temperature range: -25°C to +85°C
(including temperature rise in applying electrical current)
- Contact resistance: Initial value/ 60 mΩ max.
After environmental tests/ 80 mΩ max.
- Insulation resistance: 5,000 MΩ min.
- Withstanding voltage: 500 VAC/minute
- Applicable wire: Conductor size/ AWG #28

- * Refer to "General Instruction and Notice when using Terminals and Connectors" at the end of this catalog.
- * Contact JST for details.
- * Compliant with RoHS.

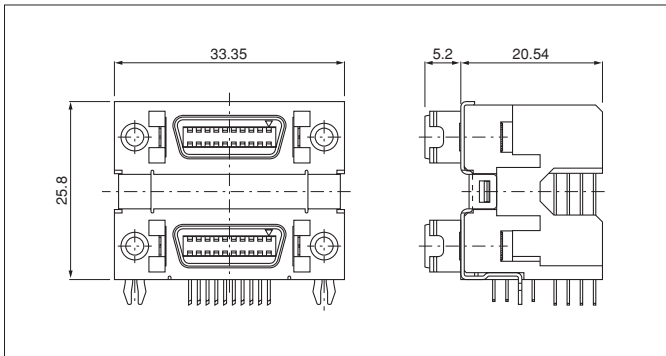
PC board layout and Assembly layout



Note: 1. The above figure is the figure viewed from the connector mounting side.

2. Tolerances are non-cumulative: ± 0.05 mm for all centers. The dimensions above should serve as a guideline. Contact JST for details.

Receptacle



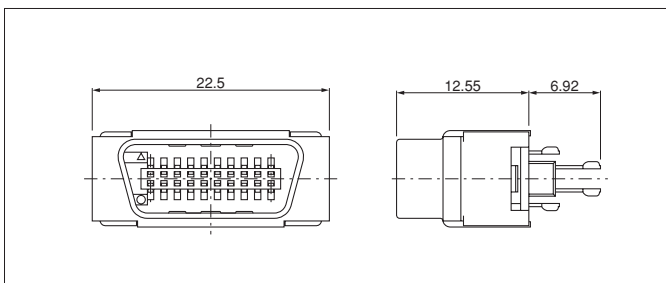
Circuits	Model No.	Q'ty/box
20	MSY-20DS-D101-21	140

Material and Finish

Housing: PBT, UL94V-0, black
 Contact: Phosphor bronze, nickel-undercoated, gold-plated
 Shell, Clamp: Steel
 Lock nut: Brass
 Locator: PBT

RoHS compliance

Plug



Circuits	Model No.	Q'ty/box
20	MS-P20-L	90

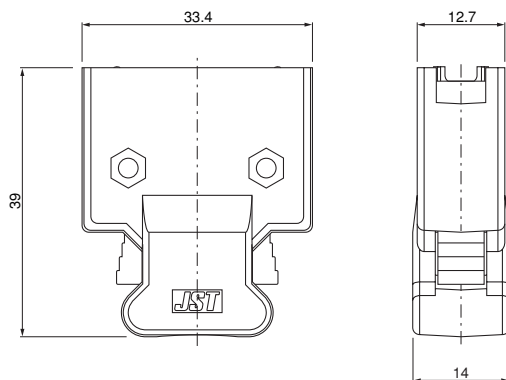
Material and Finish

Housing: PBT, UL94V-0, black
 Contact: Phosphor bronze, nickel-undercoated, gold-plated
 Shell, Clamp: Steel

RoHS compliance

Plug cover

Latch lock type



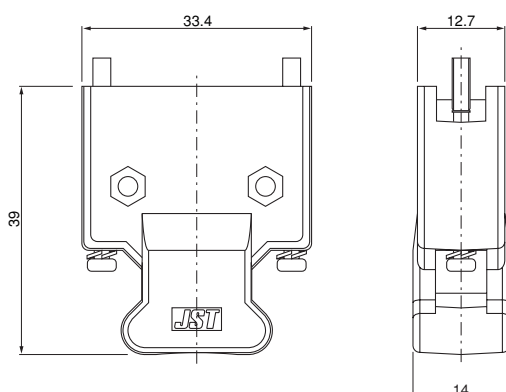
Circuits	Model No.	Q'ty/box
20	MS20-2B-28	450

Material

Housing: PBT, UL94V-0, black
 Metal part, Lock spring, Clamp: SUS
 Screw, Nut: Iron

RoHS compliance

Screw lock type



Circuits	Model No.	Q'ty/box
20	MS20-2A-28	450

Material

Housing: PBT, UL94V-0, black
 Metal part: SUS
 Screw, Nut: Iron

RoHS compliance