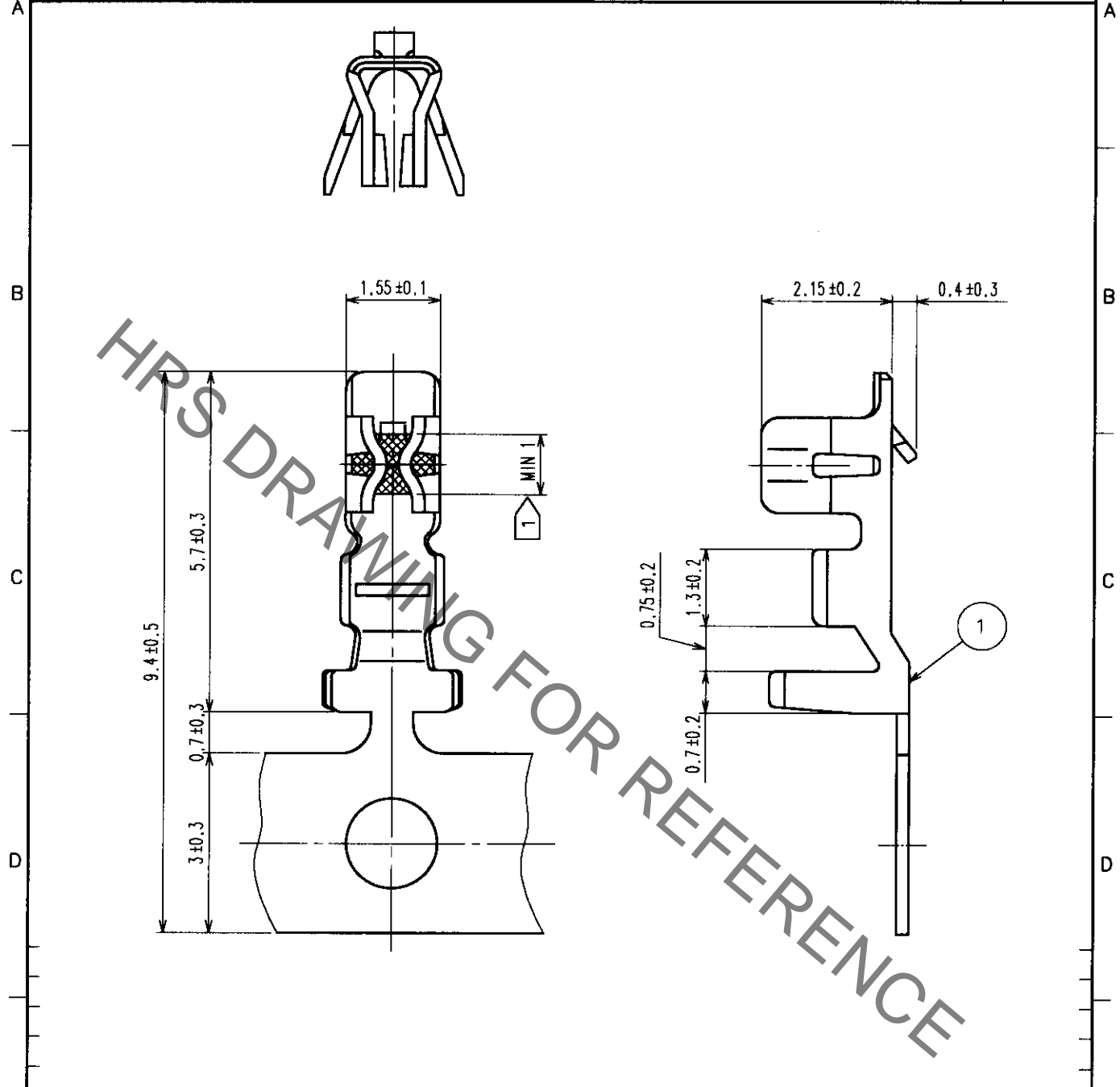


Oct.1.2019 Copyright 2019 HIROSE ELECTRIC CO., LTD. All Rights Reserved.
 In case of consideration for using Automotive equipment / device which demand high reliability, kindly contact our sales window correspondents.

1		2			3			4		
COUNT	DESCRIPTION OF REVISIONS	BY	CHKD	DATE	COUNT	DESCRIPTION OF REVISIONS	BY	CHKD	DATE	
△					△					
△					△					
△					△					



NOTE 1 GOLD PLATED AREA.
 2 10000 PIECES PER REEL.

1	PHOSPHOR BRONZE	CONTACT AREA: GOLD PLATED, 0.2μm OTHERS : NICKEL PLATED
NO.	MATERIAL	FINISH, REMARKS

CODE NO. (OLD) CL	DRAWN Y. Nagashima '01.01.16	DESIGNED F. Asai '01.01.17	CHECKED T. Miyagaki '01.1.17	APPROVED K. Katayama '01.1.19	RELEASED
----------------------	------------------------------------	----------------------------------	------------------------------------	-------------------------------------	----------

10 : 1 mm	DRAWING NO. EDC4-020356	PART NO. DF3-2428SCFC
	HIROSE ELECTRIC CO., LTD.	CODE NO. CL543-0046-0

TO