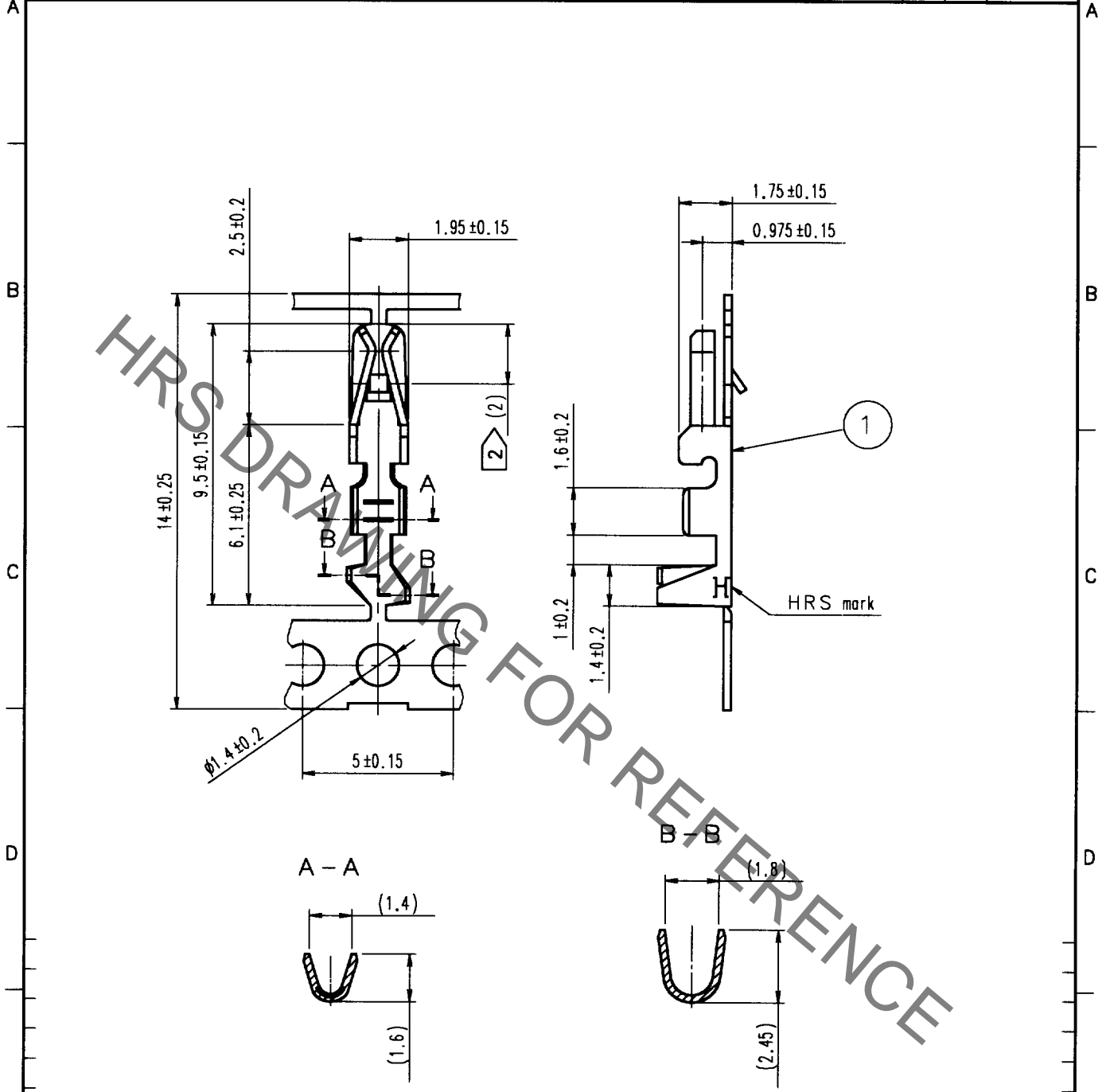


Oct.1.2019 Copyright 2019 HIROSE ELECTRIC CO., LTD. All Rights Reserved.
 In case of consideration for using Automotive equipment / device which demand high reliability, kindly contact our sales window correspondents.

1					2					3					4				
COUNT	DESCRIPTION OF REVISIONS				BY	CHKD	DATE	COUNT	DESCRIPTION OF REVISIONS				BY	CHKD	DATE				
△								△											
△								△											
△								△											



NOTES 1. APPLICABLE CABLE : AWG24 TO 28
 2. GOLD PLATE AREA

NO.	MATERIAL	FINISH, REMARKS
1	PHOSPHOR BRONZE	CONTACT: GOLD PLATING 0.2 μm OTHER: NICKEL PLATING 1 μm

CODE NO. (OLD)	DRAWN	DESIGNED	CHECKED	APPROVED	RELEASED
	Y. INOUE	Y. Inoue	T. Miyazaki	K. Katayama	
	00.09.18	'00.9.18	'00.9.18	'00.9.18	

 SCALE 5 : 1 UNITS mm	DRAWING NO.	PART NO.
	EDC4-080532	DF1B-2428SCFA
 HIROSE ELECTRIC CO., LTD.	CODE NO.	
	CL541-0680-3	1/1

TO