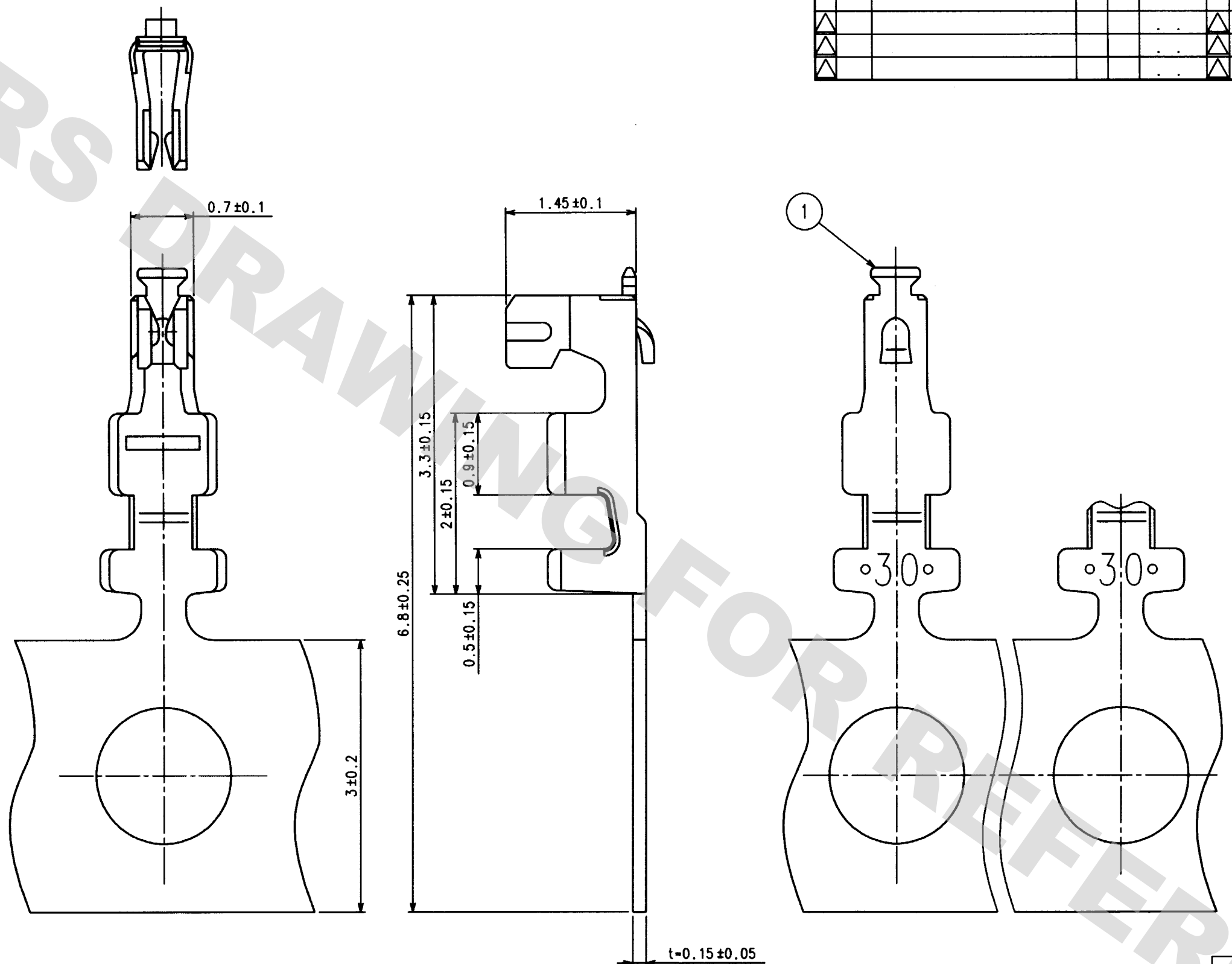


COUNT	DESCRIPTION OF REVISIONS	BY	CHKD	DATE	COUNT	DESCRIPTION OF REVISIONS	BY	CHKD	DATE
△				..	△				..
△				..	△				..
△				..	△				..



NOTES 1. PER REEL: 10000 CONTACTS.

1	PHOSPHOR BRONZE	CONTACT AREA: GOLD PLATED 0.2μm MIN. OUTSIDE OF BARREL: TIN PLATED 1μm MIN. OTHERS: NICKEL PLATED 0.5μm MIN.
---	-----------------	--

NO.	MATERIAL	FINISH, REMARKS	NO.	MATERIAL	FINISH, REMARKS
CODE NO. (OLD)			DRAWN	DESIGNED	CHECKED
			S. Ono	S. Ono	T. Miyazaki
			02.08.29	02.08.29	02.08.29
					K. Katayama
					02.8.30
					..

<p>SCALE 20 : 1</p> <p>UNITS mm</p>	<p>DRAWING NO. EDC3-164279</p> <p><b>HRS</b> HIROSE ELECTRIC CO., LTD</p>	<p>PART NO. DF20F-3032SCFA</p> <p>CODE NO. CL686-0043-9</p>
---	---	---

TO

DRAWING FOR REFERENCE: This is subject to change without notice  
08/11/2012

