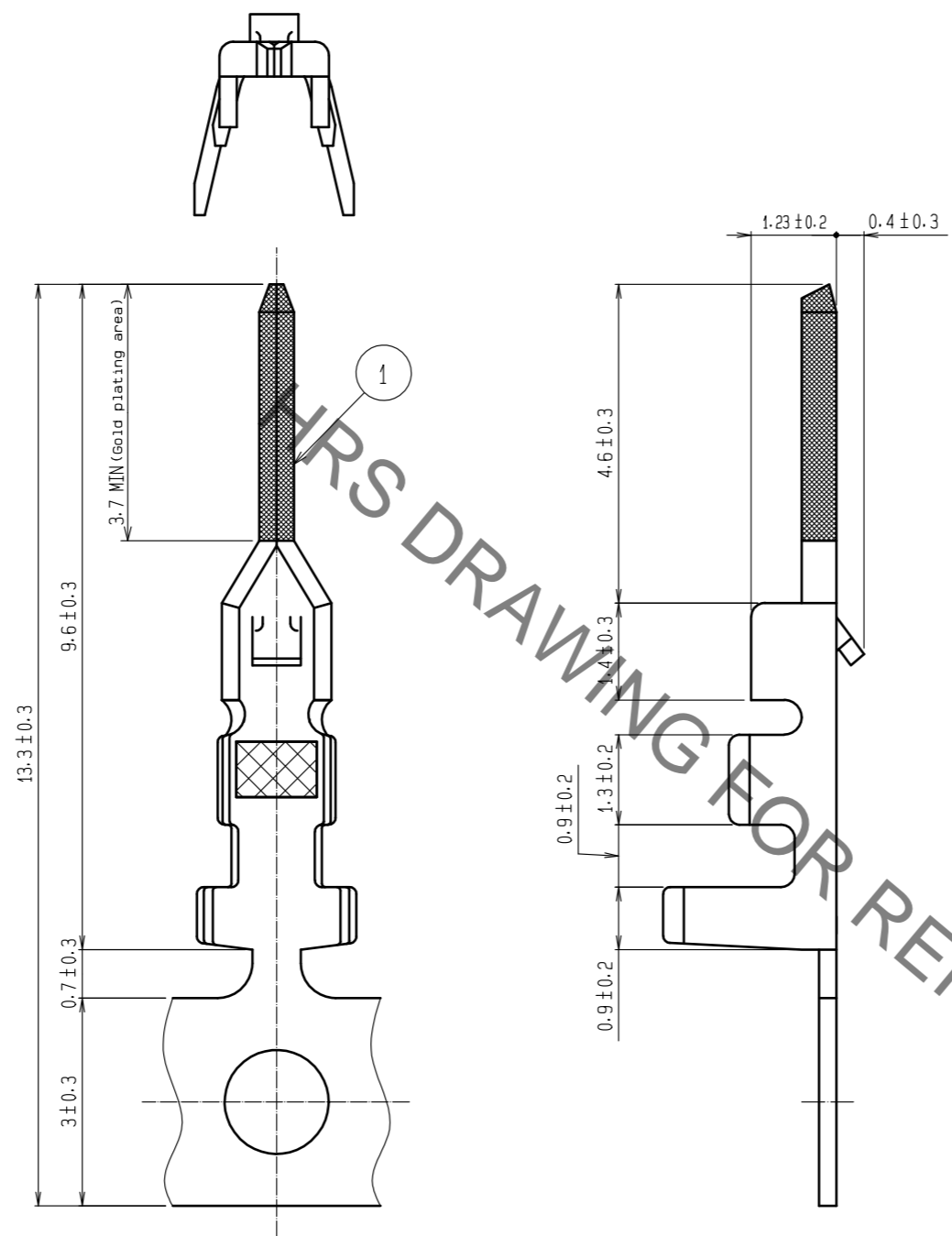


Oct.1.2019 Copyright 2019 HIROSE ELECTRIC CO., LTD. All Rights Reserved.
 In case of consideration for using Automotive equipment / device which demand high reliability, kindly contact our sales window correspondents.



HRS DRAWING FOR REFERENCE

Note1. 10000 pieces per reel

NO.		MATERIAL		FINISH . REMARKS		NO.		MATERIAL		FINISH . REMARKS	
		1		Phosphor Bronze				Contact Area:Gold Plating 0.2 μm MIN		Others :Nickel Plating 0.5μm MIN	
UNITS	mm	SCALE	10 : 1	COUNT	△	DESCRIPTION OF REVISIONS		DESIGNED	CHECKED	DATE	
HIROSE ELECTRIC CO., LTD.		APPROVED : HS. OKAWA		16.11.30		DRAWING NO.		EDC-081283-00-00			
		CHECKED : TS. FUKUSHIMA		16.11.30		PART NO.		DF3-EP2428PCFA			
		DESIGNED : TS. KUMAZAWA		16.11.29		CODE NO.		CL543-0149-3-00			
		DRAWN : TO. KUROMATSU		16.11.29							