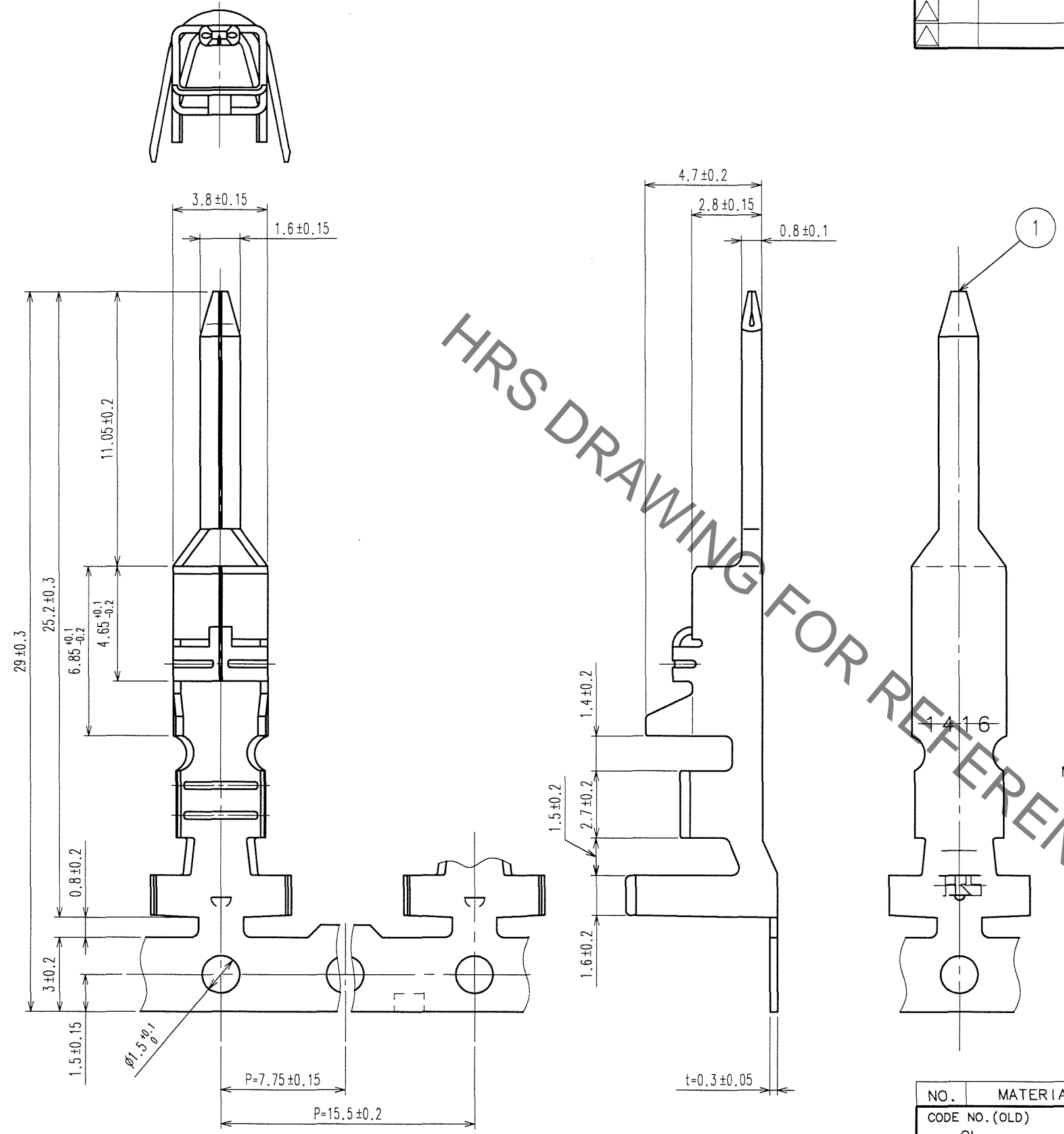


Jun.1.2019 Copyright 2019 HIROSE ELECTRIC CO., LTD. All Rights Reserved.
In case of consideration for using Automotive equipment / device which demand high reliability, kindly contact our sales window correspondents.

COUNT	DESCRIPTION OF REVISIONS	BY	CHKD	DATE	COUNT	DESCRIPTION OF REVISIONS	BY	CHKD	DATE
△				..	△				..
△				..	△				..
△				..	△				..



HRS DRAWING FOR REFERENCE

NOTES 1. 1 REEL: 2000 CONNECTORS.
2. UL (FILE No. E52653)
C-UL (FILE No. E52653)
TÜV (CERTIFICATION No. R9950703) AUTHORIZATION ARTICLE.



TO

NO. 1		MATERIAL COPPER ALLOY		FINISH, REMARKS SURFACE PLATING: TIN PLATED 1μm min UNDER PLATING: COPPER PLATING 0.5μm min		
CODE NO. (OLD) CL		DRAWN	DESIGNED	CHECKED	APPROVED	RELEASED
		A.Miura	<i>S. Somporn</i>	<i>H. Uehara</i>	<i>T. Omi</i>	..
		'07.04.26	'07.04.26	'07.04.27	'07.04.27	..
DRAWING NO. EDC3-163622-01			PART NO. DF22A-1416PCF			
SCALE 5 : 1			CODE NO. CL680-1079-3			
UNITS mm			1/1			