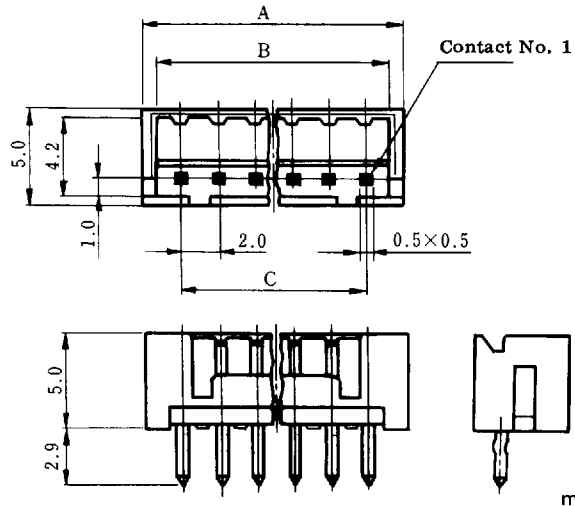
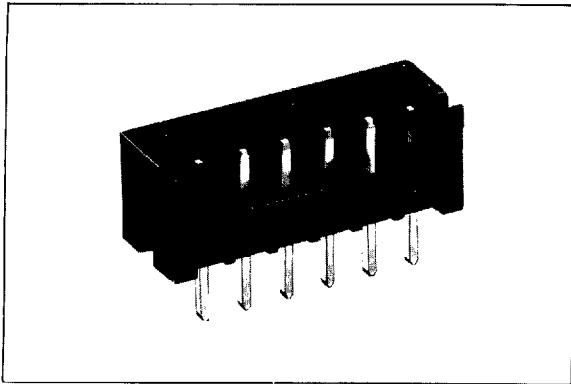


A-61-05-05

### Pin Header Straight Type

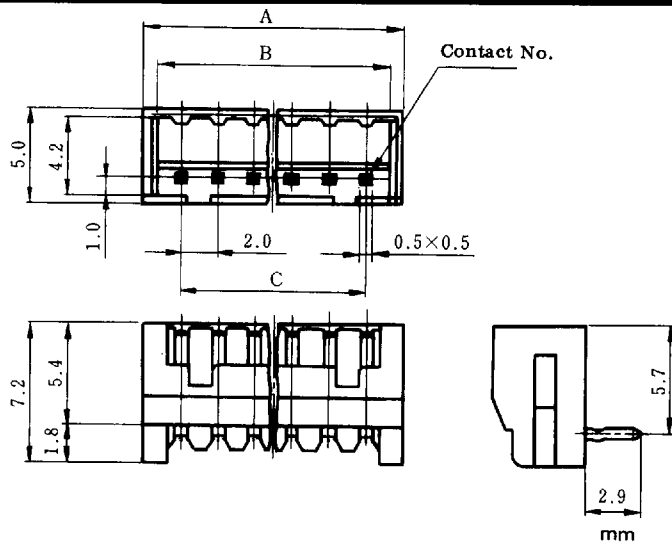
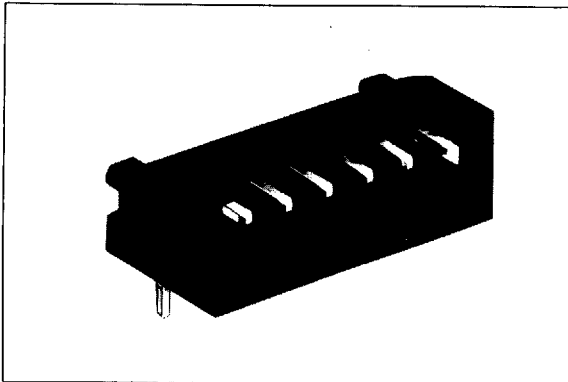


● Straight Type Dimension

| HRS No.    | Part No.    | No. of Pin | A    | B    | C    | HRS No.    | Part No.     | No. of Pin | A    | B    | C    |
|------------|-------------|------------|------|------|------|------------|--------------|------------|------|------|------|
| 543-0017-2 | DF3-2P-2DSA | 2          | 6.0  | 4.6  | 2.0  | 543-0024-8 | DF3-9P-2DSA  | 9          | 20.0 | 18.6 | 16.0 |
| 543-0018-5 | DF3-3P-2DSA | 3          | 8.0  | 6.0  | 4.0  | 543-0025-0 | DF3-10P-2DSA | 10         | 22.0 | 20.6 | 18.0 |
| 543-0019-8 | DF3-4P-2DSA | 4          | 10.0 | 8.6  | 6.0  | 543-0026-3 | DF3-11P-2DSA | 11         | 24.0 | 22.6 | 20.0 |
| 543-0020-7 | DF3-5P-2DSA | 5          | 12.0 | 10.6 | 8.0  | 543-0027-6 | DF3-12P-2DSA | 12         | 26.0 | 24.6 | 22.0 |
| 543-0021-0 | DF3-6P-2DSA | 6          | 14.0 | 12.6 | 10.0 | 543-0028-9 | DF3-13P-2DSA | 13         | 28.0 | 26.6 | 24.0 |
| 543-0022-2 | DF3-7P-2DSA | 7          | 16.0 | 14.6 | 12.0 | 543-0029-1 | DF3-14P-2DSA | 14         | 30.0 | 28.6 | 26.0 |
| 543-0023-5 | DF3-8P-2DSA | 8          | 18.0 | 16.6 | 14.0 | 543-0030-0 | DF3-15P-2DSA | 15         | 32.0 | 30.6 | 28.0 |

Note: Contact chamfered to facilitate PCB installation.

### Pin Header Angle Type



● Dimension for Angle Type

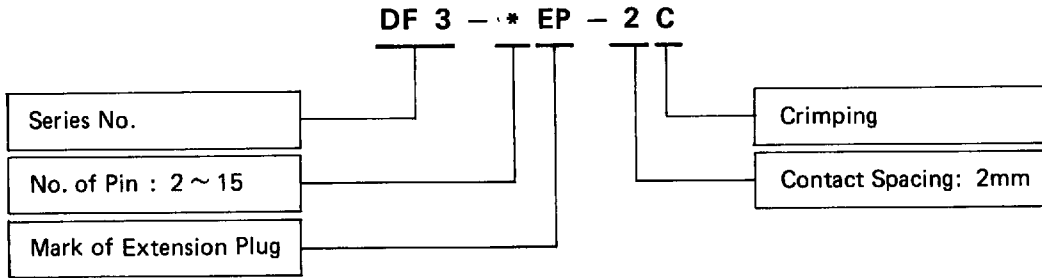
| HRS No.    | Part No.   | No. of Pin | A    | B    | C    | HRS No.    | Part No.    | No. of Pin | A    | B    | C    |
|------------|------------|------------|------|------|------|------------|-------------|------------|------|------|------|
| 543-0031-3 | DF3-2P-2DS | 2          | 6.0  | 4.6  | 2.0  | 543-0038-2 | DF3-9P-2DS  | 9          | 20.0 | 18.6 | 16.0 |
| 543-0032-6 | DF3-3P-2DS | 3          | 8.0  | 6.6  | 4.0  | 543-0039-5 | DF3-10P-2DS | 10         | 22.0 | 20.6 | 18.0 |
| 543-0033-9 | DF3-4P-2DS | 4          | 10.0 | 8.6  | 6.0  | 543-0040-4 | DF3-11P-2DS | 11         | 24.0 | 22.6 | 20.0 |
| 543-0034-1 | DF3-5P-2DS | 5          | 12.0 | 10.6 | 8.0  | 543-0041-7 | DF3-12P-2DS | 12         | 26.0 | 24.6 | 22.0 |
| 543-0035-4 | DF3-6P-2DS | 6          | 14.0 | 12.6 | 10.0 | 543-0042-0 | DF3-13P-2DS | 13         | 28.0 | 26.6 | 24.0 |
| 543-0036-7 | DF3-7P-2DS | 7          | 16.0 | 14.6 | 12.0 | 543-0043-2 | DF3-14P-2DS | 14         | 30.0 | 28.6 | 26.0 |
| 543-0037-0 | DF3-8P-2DS | 8          | 18.0 | 16.6 | 14.0 | 543-0044-5 | DF3-15P-2DS | 15         | 32.0 | 30.6 | 28.0 |

No. 1: Contact chamfered to facilitate PCB installation.

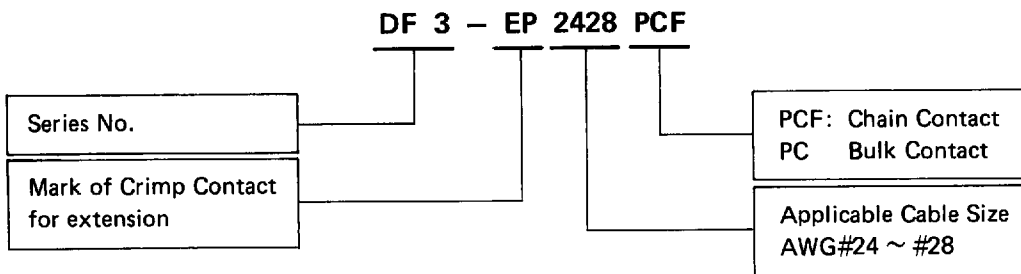
No. 2: The minimum ordering quantity is one package (containing 100 pieces).

## Ordering Information

### ● Extension Plug



### ● Crimp Contact for Extension Plug



## Material & Finish

| Product                  | Part      | Material        | Finish                    | UL Standard |
|--------------------------|-----------|-----------------|---------------------------|-------------|
| IDC Socket               | Insulator | Polyamide resin | Black                     | UL94V-0     |
|                          | Contact   | Phosphor bronze | Tin plating               | —           |
| Crimp Socket             | Insulator | Polyamide resin | Black                     | UL94V-0     |
| Crimp contact for socket | Contact   | Phosphor bronze | Tin plating               |             |
| Receptacle               | Insulator | Polyamide resin | Black                     | UL94V-0     |
|                          | Contact   | Phosphor bronze | Tin plating               |             |
| Pin header               | Insulator | Polyamide resin | Dip : Black<br>SMT: Beige | UL94V-0     |
|                          | Contact   | Brass           | Tin plating               |             |
| Extension plug           | Insulator | Polyamide resin | Black                     | UL94V-0     |
| Crimp contact for plug   | Contact   | Phosphor bronze | Tin plating               | —           |

## Electrical Performance

| Item                             | Condition          | Standard value         |
|----------------------------------|--------------------|------------------------|
| Current capacity<br>(see note 1) | With AWG24 cable   | 3A                     |
|                                  | With AWG26 cable   | 2A                     |
|                                  | With AWG28 cable   | 1A                     |
| Rated voltage                    |                    | AC 250V                |
| Insulation resistance            | DC 500V            | Min. 1000MΩ            |
| Withstand voltage                | At specified value | AC 650V                |
| Contact resistance               | At DC 0.1A         | Max. 30mΩ (see note 2) |

Note 1: The standard value of the current capacity varies by the connected cable size. The connector's capacity value is 3A.

Note 2: The standard value 30mΩ of contact resistance includes the conductor resistance.