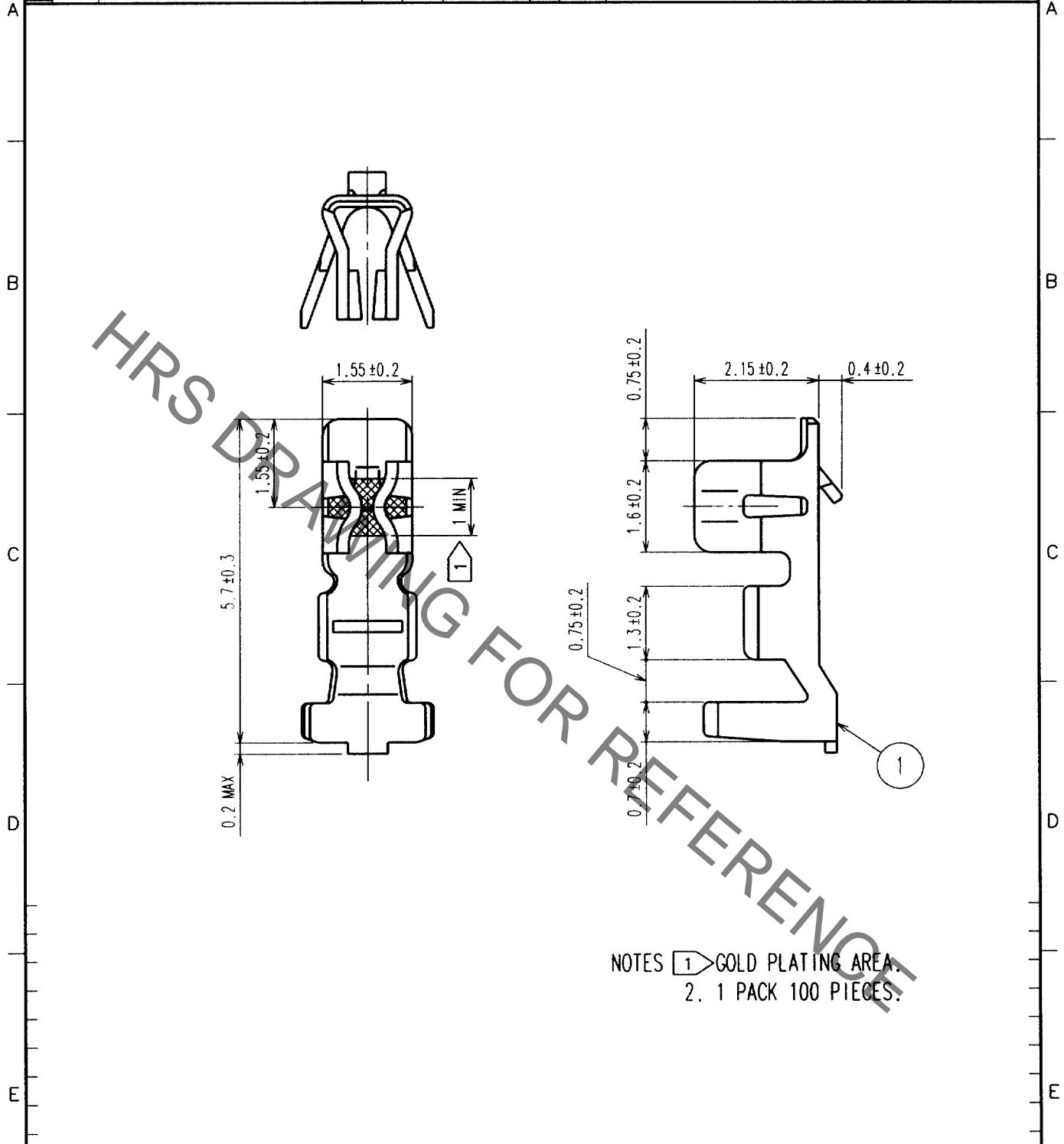


Oct.1.2019 Copyright 2019 HIROSE ELECTRIC CO., LTD. All Rights Reserved.
 In case of consideration for using Automotive equipment / device which demand high reliability, kindly contact our sales window correspondents.

1	2	3	4						
COUNT	DESCRIPTION OF REVISIONS	BY	CHKD	DATE	COUNT	DESCRIPTION OF REVISIONS	BY	CHKD	DATE
△				..	△				..
△					△				..
△					△				..



NOTES 1 GOLD PLATING AREA.
 2. 1 PACK 100 PIECES.

NO. MATERIAL FINISH, REMARKS		1 PHOSPHOR BRONZE GOLD PLATED	
CODE NO. (OLD)		NO. MATERIAL FINISH, REMARKS	
DRAWN		DESIGNED	CHECKED
SACLE 10 : 1		APPROVED	RELEASED
UNITS mm		DRAWING NO. EDC4-020357-01	
HRS HIROSE ELECTRIC CO., LTD.		PART NO. DF3-2428SCC	
		CODE NO. CL543-0047-3	
		1/1	

TO