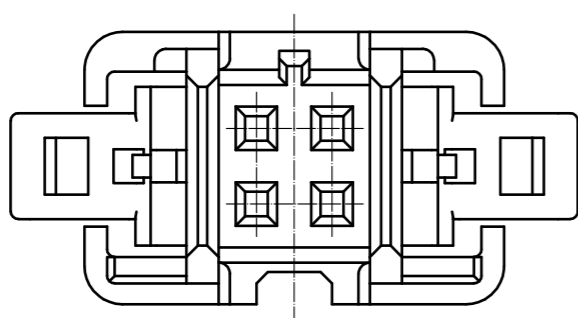
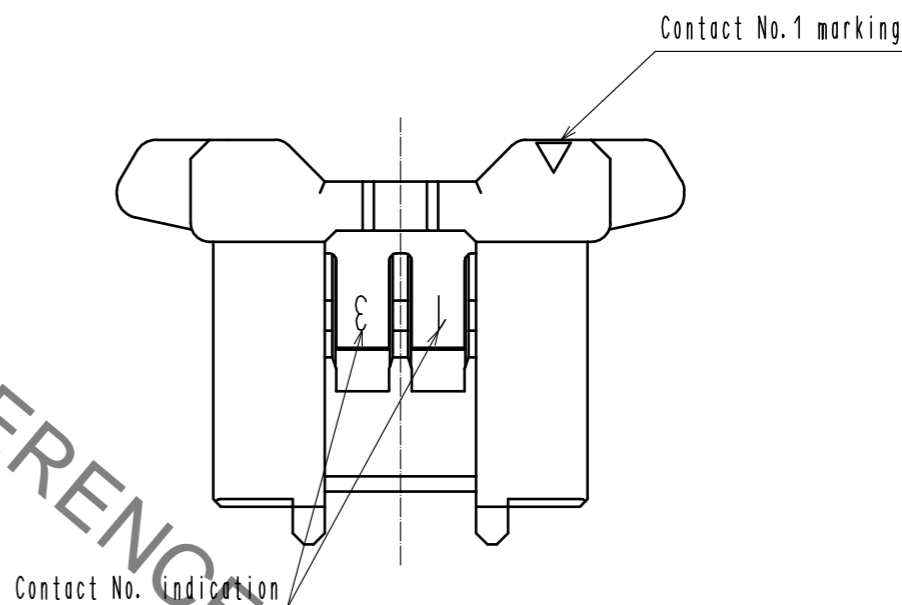
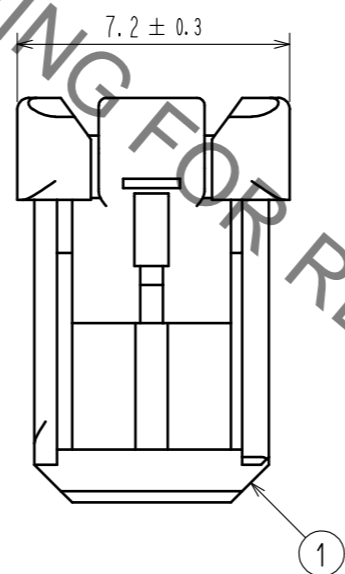
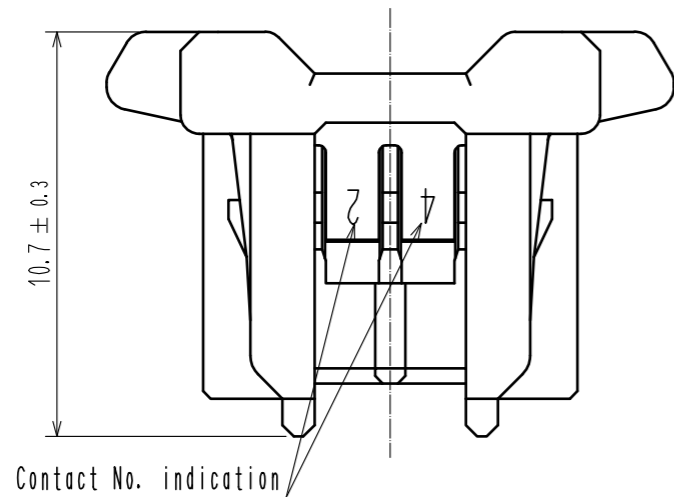
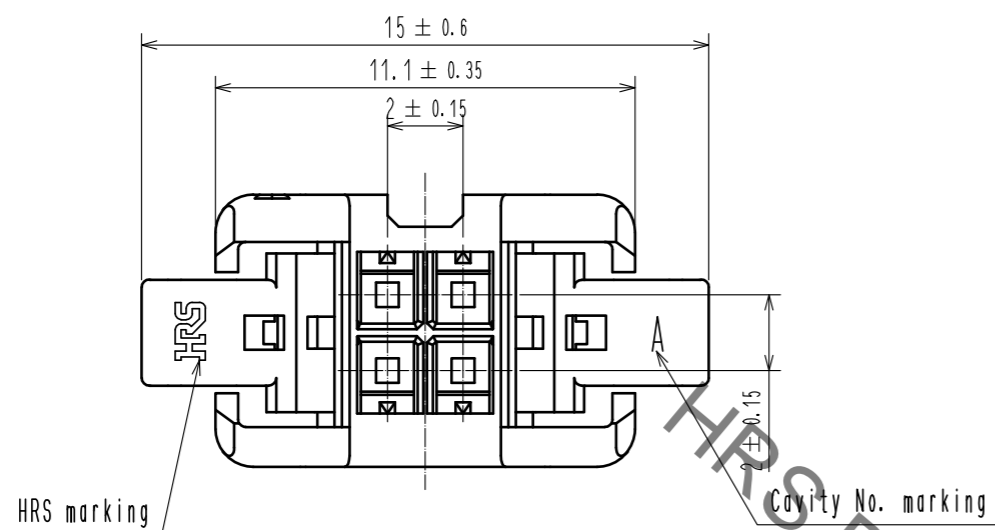


Aug.1.2019 Copyright 2019 HIROSE ELECTRIC CO., LTD. All Rights Reserved.  
 In case of consideration for using Automotive equipment / device which demand high reliability, kindly contact our sales window correspondents.



Note 1. Per pack : 100 pieces.  
 △ 2. UL(File No. E52653),  
 C-UL(File No. E52653) authorization article.



NO.	MATERIAL	FINISH . REMARKS	NO.	MATERIAL	FINISH . REMARKS
			1	PBT	UL94V-0, BLACK
UNITS mm		SCALE 5 : 1	COUNT △ 1	DESCRIPTION OF REVISIONS DIS-H-00004451	DESIGNED TS.MIYAKI
<b>HRS</b> HIROSE ELECTRIC CO., LTD.		APPROVED : HS. OKAWA	20160707	DRAWING NO. EDC-362054-00-00	CHECKED SZ.ONO
		CHECKED : YN. TAKASHITA	20160707	PART NO. DF51-4DS-2C	DATE 20181126
		DESIGNED : TT. OHSAKO	20160707	CODE NO. CL543-5030-8-00	
		DRAWN : TT. OHSAKO	20160707		△ 1/1