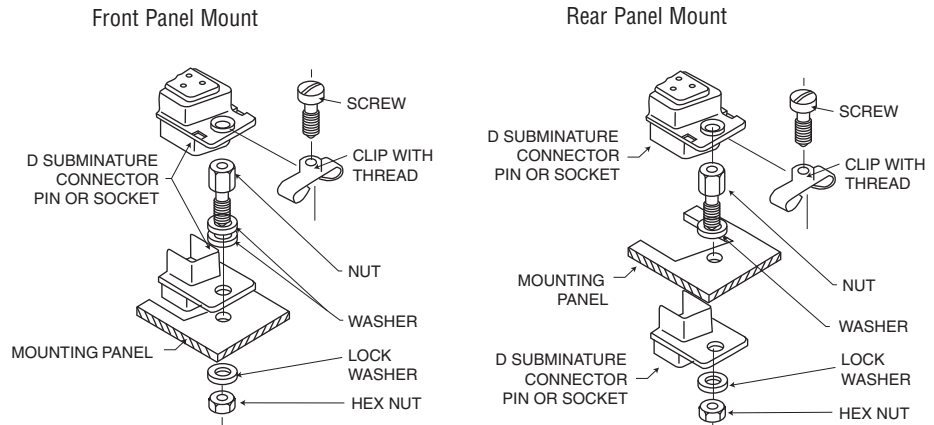


Screw Lock Assemblies

ITT offers the largest variety of locking and latching hardware. Refer to the accessories selection guide on pages 2-3 for use with Cannon backshells.

Product Features

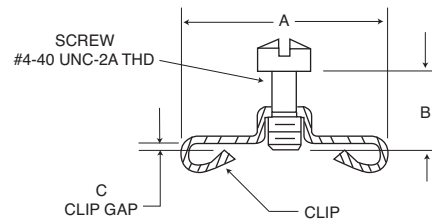
- Ensures positive mating
- Provides locking and latching for high vibration applications



Male Screw Lock



- Kit consists of 1 screw and 1 clip
- Order 2 per connector
- Similar to M24308/25



Materials and Finishes

| | |
|-----------|------------------------------|
| Material: | Steel |
| Finish: | Trivalent Chromate over Zinc |

| Shell Size | each P/N | 2 each P/N | A ±0,38(.015) | B ±0,2 (.010) | C ±0,13 (.005) | RoHS Compliant P/N each | RoHS Compliant P/N 2 each |
|----------------|------------|------------|------------------|------------------|-------------------|-------------------------|---------------------------|
| DE, DA, DB, DC | D20419 | D20419-119 | 14,10 (.555) | 6,35 (.250) | 1,22 (.048) | D20419-211 | D20419-218 |
| DE, DA, DB, DC | D20419-18 | D20419-121 | 14,10 (.555) | 7,14 (.281) | 1,70 (.067) | D20419-212 | D20419-219 |
| DE, DA, DB, DC | D20419-21 | D20419-122 | 14,10 (.555) | 7,14 (.281) | 2,34 (.092) | D20419-213 | D20419-220 |
| DE, DA, DB, DC | D20419-104 | D20419-216 | 14,10 (.555) | 7,92 (.312) | 2,34 (.092) | D20419-214 | D20419-221 |
| DD | D20420 | D20420-097 | 16,66 (.656) | 6,35 (.250) | 1,22 (.048) | D20420-157 | D20420-163 |
| DD | D20420-13 | D20420-099 | 16,66 (.656) | 7,14 (.281) | 1,70 (.067) | D20420-158 | D20420-164 |
| DD | D20420-15 | D20420-100 | 16,66 (.656) | 7,14 (.281) | 2,34 (.092) | D20420-159 | D20420-165 |
| DD | D20420-86 | D20420-162 | 16,66 (.656) | 7,92 (.312) | 2,34 (.092) | D20420-160 | D20420-166 |

Dimensions shown in mm (inch)
 Specifications and dimensions subject to change

www.ittcannon.com

