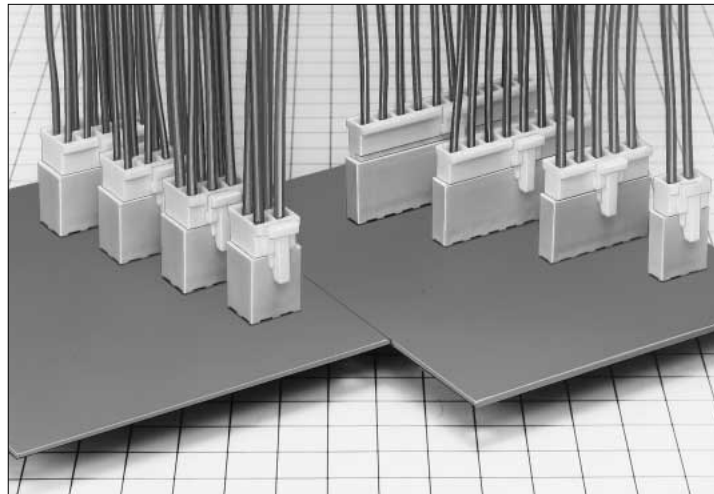


# 5mm Pitch Miniature Potting Connector for Secondary Power Supply

## DF5 Series



### ■ Features

#### 1. Potting Product

This connector is capable of potting 9mm maximum, and 22.5mm mounting height is a low profile. (Figure 1).

#### 2. Prevent Mis-insertion

When the socket and pin header are mated, this connector is equipped with a mechanism to prevent reverse insertion or dissimilar contact insertion.

#### 3. Means to Prevent Solder Cracks

The pin header employs glass enforced resin, and takes countermeasures to prevent solder cracks due to heat shrinkage.

#### 4. Prevent Reverse Insertion in Printed Board

Boss is added to the pin header, and prevents reverse insertion in the printed board.

#### 5. Full Lock Mechanism

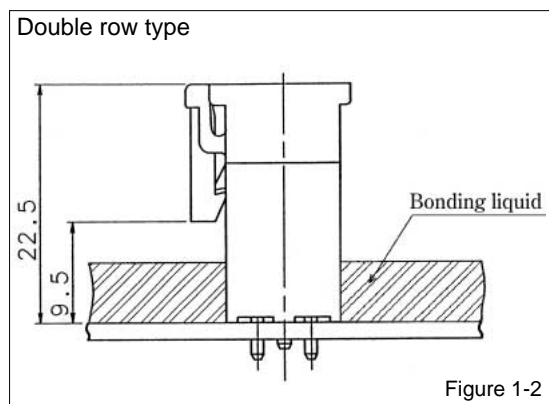
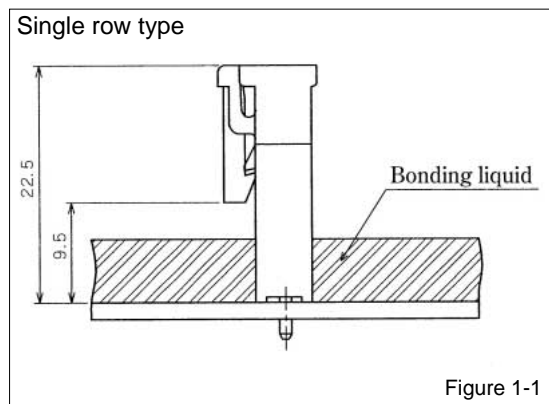
The outer lock system employs full lock mechanism.

#### 6. Current Capacity of 8A

Power can be supplied at 8 A maximum. Specification will change according to applicable cable, number of contacts, number of rows. For further information, refer to product specifications as listed on next page.

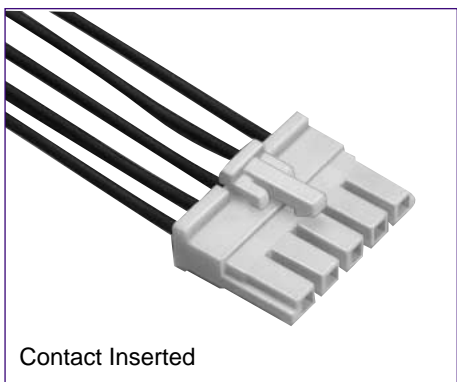
### ■ Applications

Business machines, industrial equipment, consumer appliances (hot water supply, washing machines, refrigerator) etc.

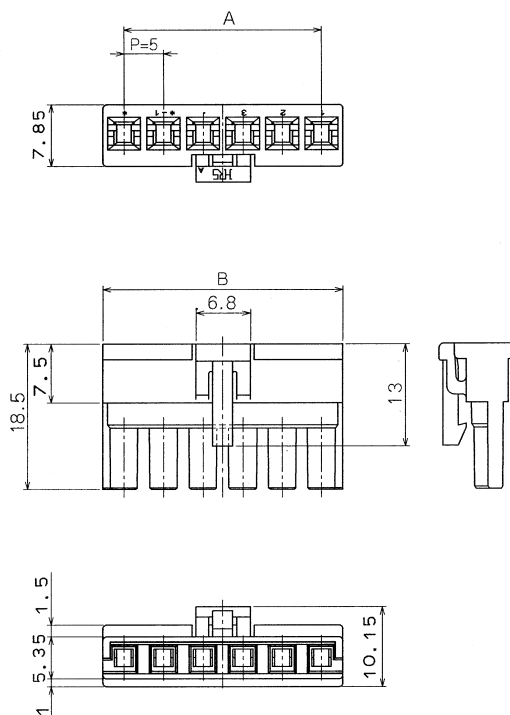




## Single Row Socket



Product No	CL No.	Number of Contacts	A	B	RoHS
DF5A- 2S-5C	676-0007-8	2	5.0	10.5	YES
DF5A- 3S-5C	676-0008-0	3	10.0	15.5	
DF5A- 4S-5C	676-0009-3	4	15.0	20.5	
DF5A- 5S-5C	676-0010-2	5	20.0	25.5	
DF5A- 6S-5C	676-0011-5	6	25.0	30.5	
DF5A- 7S-5C	676-0012-8	7	30.0	35.5	
DF5A- 8S-5C	676-0013-0	8	35.0	40.5	
DF5A- 9S-5C	676-0014-3	9	40.0	45.5	
DF5A-10S-5C	676-0015-6	10	45.0	50.5	

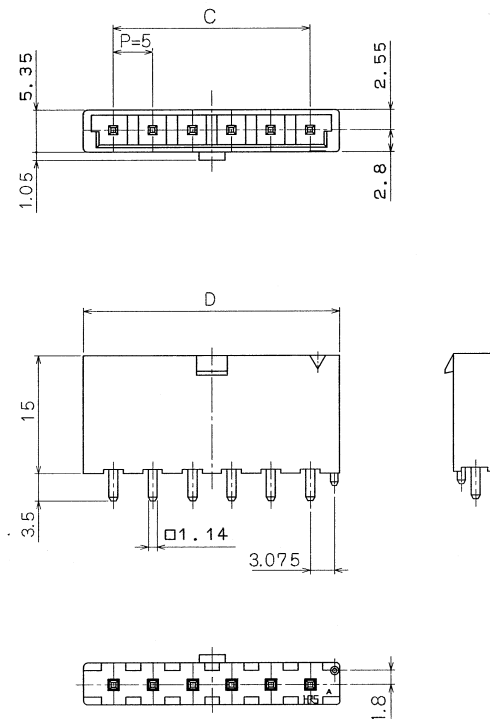


Note: A packaging quantity is delivered by the bag unit (100 pcs.).

## Single Row Pin Header

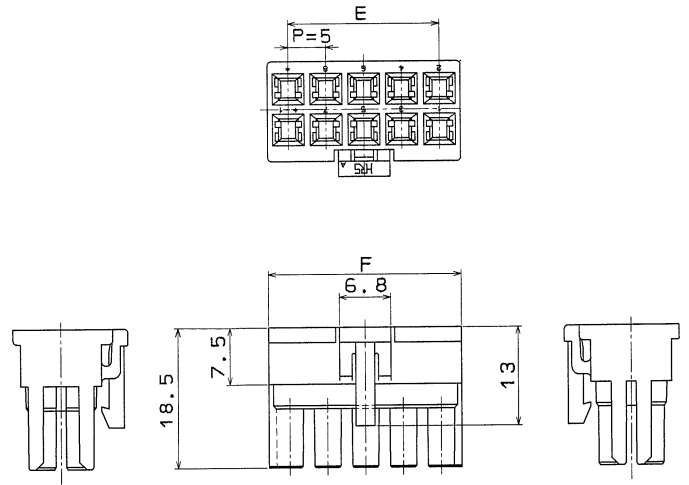
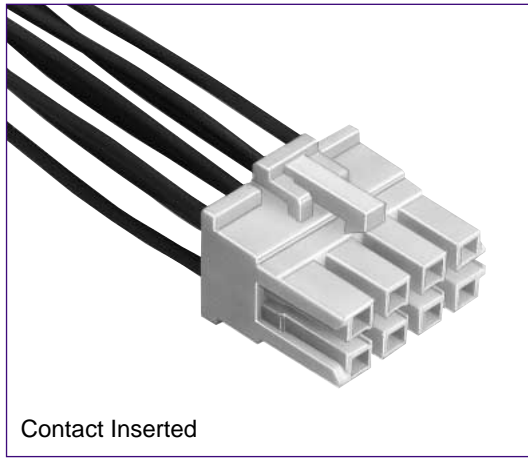


Part Number	CL No.	Number of Contacts	C	D	RoHS
DF5A- 2P-5DSA	676-0016-9	2	5.0	12.5	YES
DF5A- 3P-5DSA	676-0017-1	3	10.0	17.5	
DF5A- 4P-5DSA	676-0018-4	4	15.0	22.5	
DF5A- 5P-5DSA	676-0019-7	5	20.0	27.5	
DF5A- 6P-5DSA	676-0020-6	6	25.0	32.5	
DF5A- 7P-5DSA	676-0021-9	7	30.0	37.5	
DF5A- 8P-5DSA	676-0022-1	8	35.0	42.5	
DF5A- 9P-5DSA	676-0023-4	9	40.0	47.5	
DF5A-10P-5DSA	676-0024-7	10	45.0	52.5	

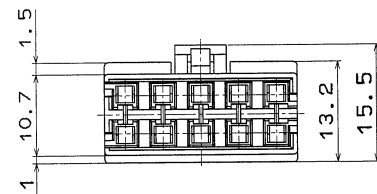


Note: A packaging quantity is delivered by the bag unit (100 pcs.).

## Double Row Socket

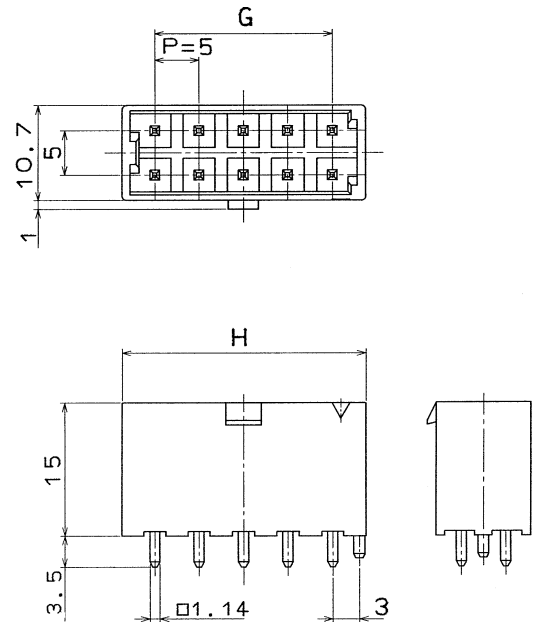


Part Number	CL No.	Number of Contacts	E	F	RoHS
DF5A- 4DS-5C	676-0025-0	4	5.0	10.5	YES
DF5A- 6DS-5C	676-0026-2	6	10.0	15.5	
DF5A- 8DS-5C	676-0027-5	8	15.0	20.5	
DF5A-10DS-5C	676-0028-8	10	20.0	25.5	
DF5A-12DS-5C	676-0036-6	12	25.0	30.5	
DF5A-14DS-5C	676-0037-9	14	30.0	35.5	
DF5A-16DS-5C	676-0038-1	16	35.0	40.5	

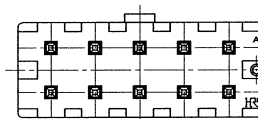


Note: A packaging quantity is delivered by the bag unit (100 pcs.).

## Double Row Pin Header

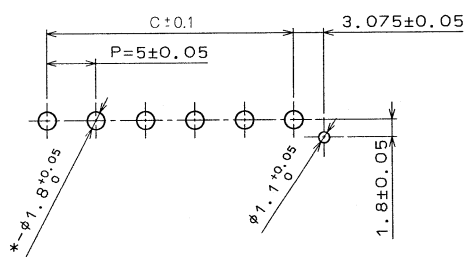


Part Number	CL No.	Number of Contacts	G	H	RoHS
DF5A- 4DP-5DSA	676-0029-0	4	5.0	12.5	YES
DF5A- 6DP-5DSA	676-0030-0	6	10.0	17.5	
DF5A- 8DP-5DSA	676-0031-2	8	15.0	22.5	
DF5A-10DP-5DSA	676-0032-5	10	20.0	27.5	
DF5A-12DP-5DSA	676-0033-8	12	25.0	32.5	
DF5A-14DP-5DSA	676-0034-0	14	30.0	37.5	
DF5A-16DP-5DSA	676-0035-3	16	35.0	42.5	

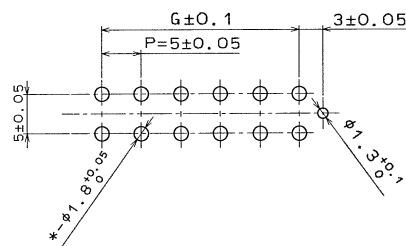


Note: A packaging quantity is delivered by the bag unit (100 pcs.).

## ◆PCB mounting pattern (Board thickness = 1.6±0.1)



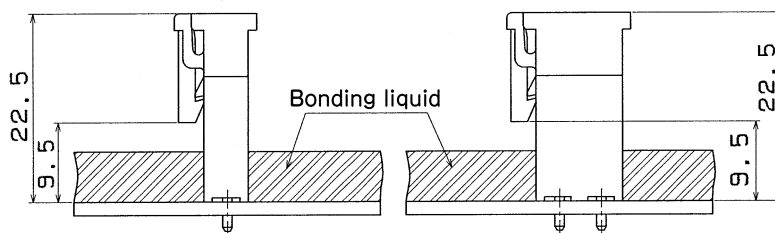
DF5A-\*P-5DSA



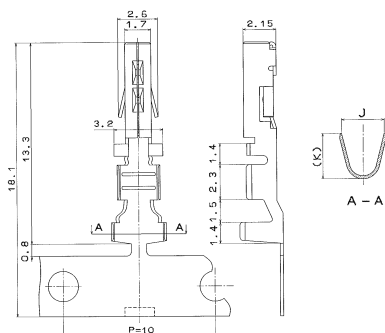
DF5A-\*DP-5DSA

Note 1. For C and G sizes, please refer to pages where individual product patterns are shown.

## ◆Application Pattern



## ■Socket Crimping Contact



Part Number	HRS. No.	Applicable Cable				Packaging Type	Quantity	J	K	RoHS
		UL style	Jacket dia.	AWG size	Contact construction					
DF5-1822SCF(51)	676-0001-1-51	1007	1.5 to 2.2	AWG#18	43 cores/0.16mm	Reel	5,000	2.8	3	YES
DF5-1822SC(51)	676-0002-4-51			AWG#20	21 cores/0.18mm	Bag	100			
DF5A-1822SCF(51)	676-0003-7-51	1015	2.2 to 3.2	AWG#22	17 cores/0.16mm	Reel	5,000	3.8	4	
DF5A-1822SC(51)	676-0004-0-51					Bag	100			

Note 1. The applicable cable conductor is a tin plated and annealed copper wire.

Note 2. If other cables are used instead of the applicable cable, contact the HRS Sales Department.

## ◆Applicable Crimping Tools

Type	Item	Part Number	CL No.	Applicable Contact
Auto- matic	Press unit	CM-105	901-0005-4	—
	Applicator	AP105-DF5-1822S	901-4542-5	DF5-1822SCF(51)
		AP105-DF5A-1822S	901-4546-6	DF5A-1822SCF(51)
Manual	Manual crimping tool	DF5-1822/CR-HT	550-0264-0	DF5-1822SC(51)
		DF5A-1822/CR-HT	550-0265-2	DF5A-1822SC(51)
—	Extraction tool	RP13-PC-TP	150-0021-5	DF5/DF5A-1822SCF(51)

Note: If any trouble has been caused due to other tools, which are not designated by Hirose, Hirose won't guarantee any product.

## ◆Precautions

1. Recommended soldering condition	Flow: 250°C for 5 seconds Manual soldering: 290°C for 3 seconds
2. Cleaning condition	Refer to the "Nylon Connector Use Hand book"
3. Connecting condition	Refer to the "Nylon Connector Use Hand book"
4. Cautions	■The color phase of this product may be slightly differ from that of the formed product according to the manufacturing lot, and consequent storage condition, however, the difference affects no performance.
5. Precautions	Refer to the "Nylon Connector Use Hand book"