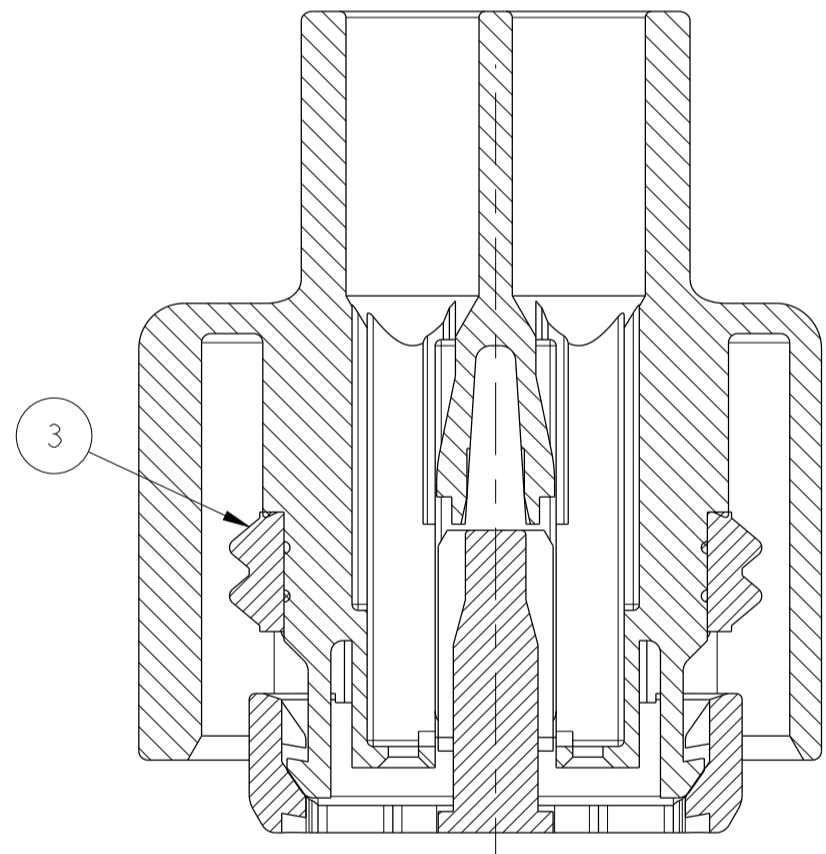
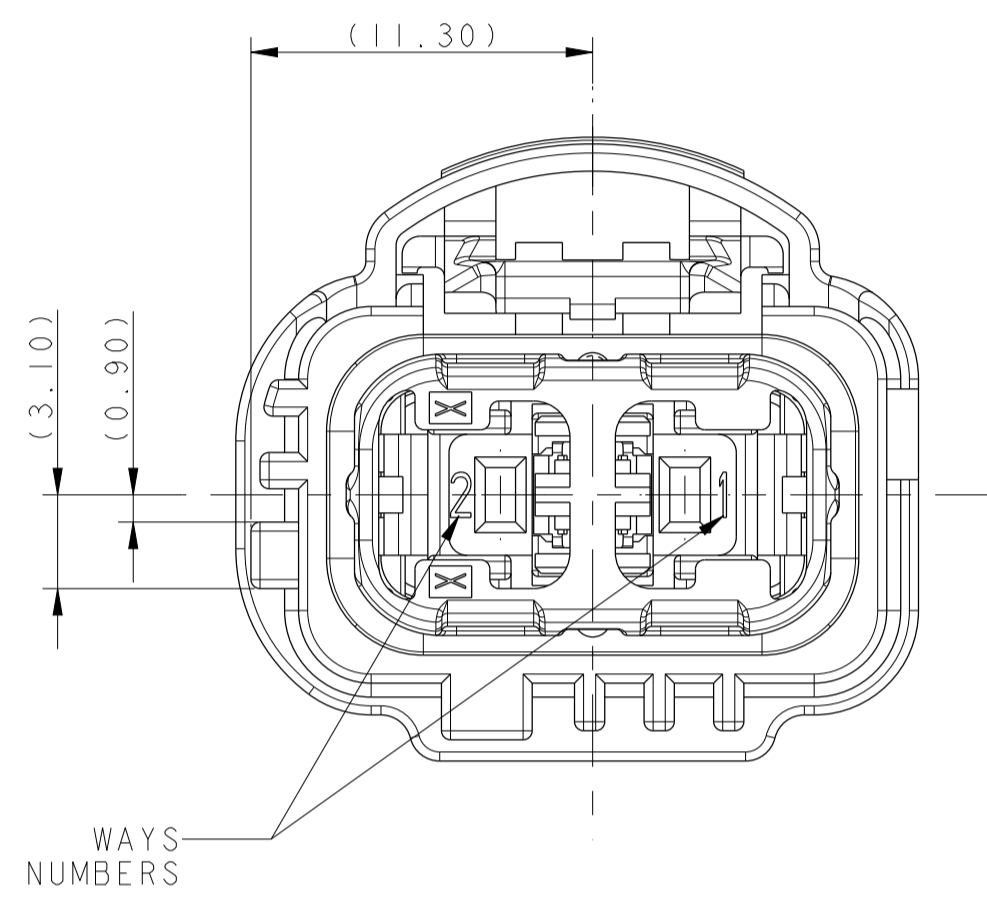
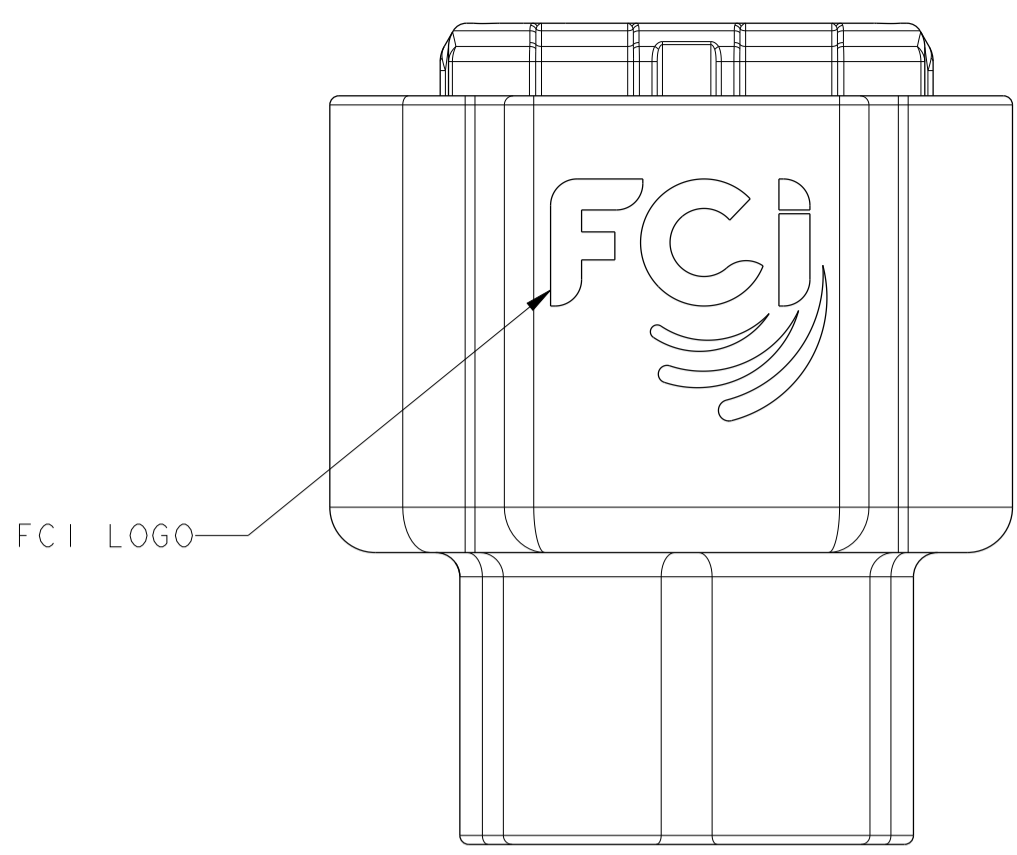
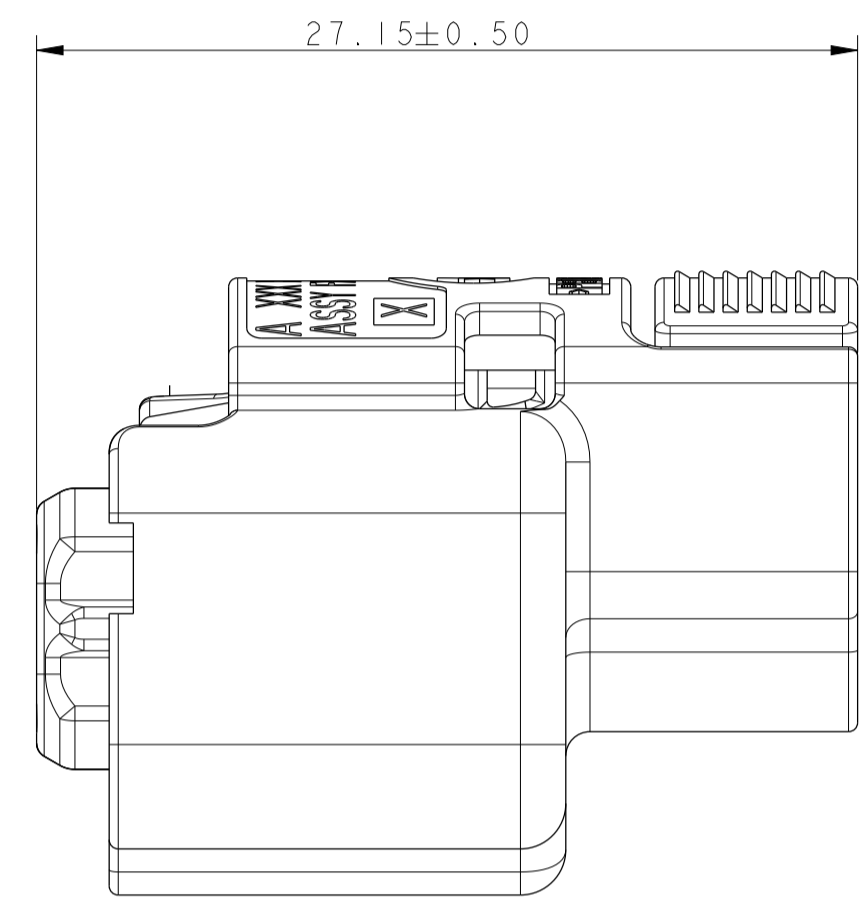
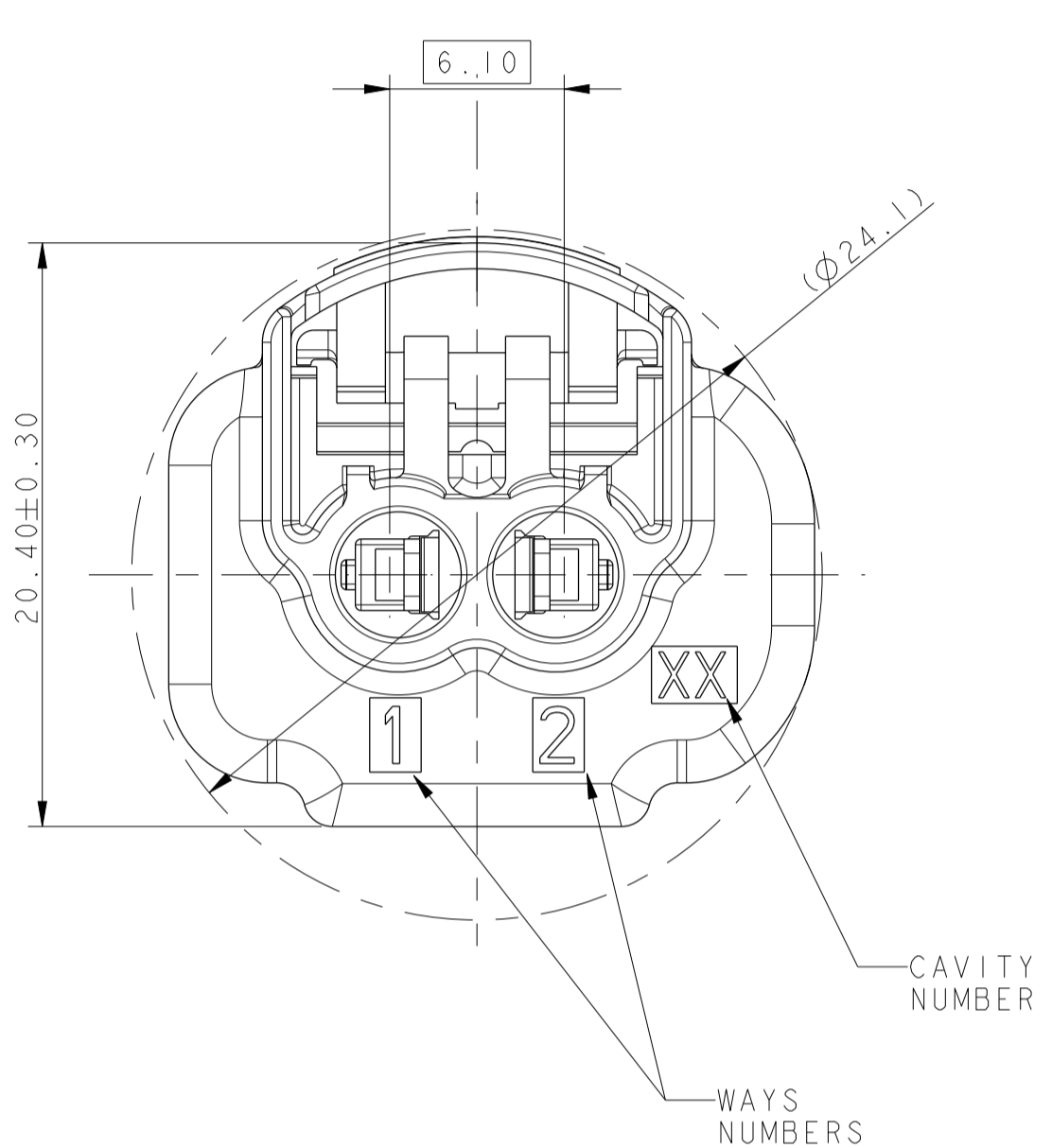


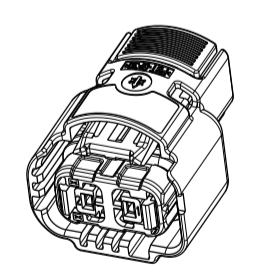
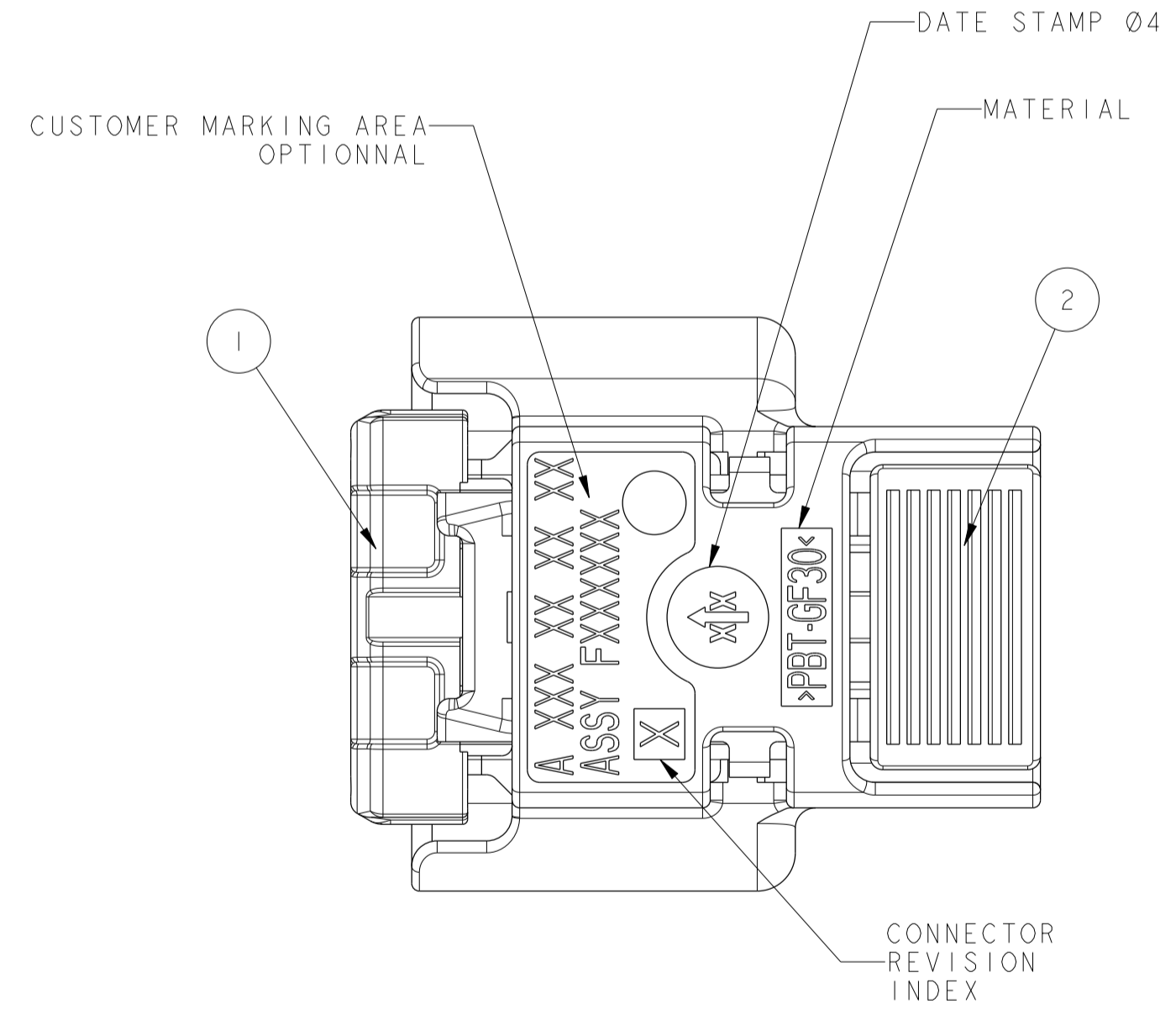
N°	NOTE	DESIGNATION
A	SPECIFICATION	FOLLOWING FCI PRODUCT SPEC. ref. FEPS 07 021 (MERCEDES / AK) FOLLOWING FCI PRODUCT SPEC. ref. FEPS 08 011 (GM / USCAR 2 rev5)
B	INTERFACE "CULOT PG18.5"	FOLLOWING IEC 34B/1225/FDIS project number: IEC 60061-1, A37, Ed. 3DB (page 1/4)
C	INTERFACE "DOUILLES & CONNECTEURS"	FOLLOWING IEC 24B/1226/FDIS project number: IEC 60061-2, A34, ED. 3DB (page 3/4)
D	TERMINALS	GTS2-1.5 ref. F112300 gauge 0.5 to 0.85 ² / F343100 gauge 1 to 1.3 ² F443100 gauge 1.4 to 2 ²
E	SWS	211M0007 (YELLOW) WIRE 0.5 ² TO 0.85 ² / 211M0008 (GREEN) WIRE 1 ² TO 2 ²
F	USER'S MANUAL	FOLLOWING PU 107
G	WEIGHT	5.00g

Rep	DESIGNATION	MATERIAL	COLOR
1	GRID TPA	PBT-GF15	YELLOW
2	2W FEMALE HOUSING	PBT-GF30	SEE TABLE
3	INTERFACIAL SEAL	LSR	BLUE

CODING PG18.5d-3 MERCEDES REPRESENTED IN DELIVERY POSITION

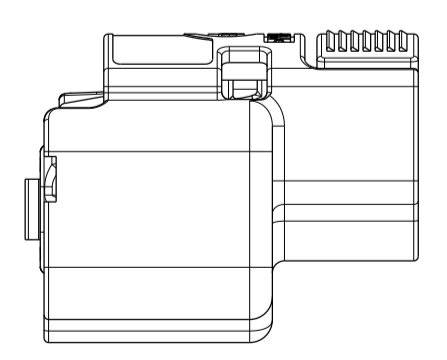


SECTION A-A

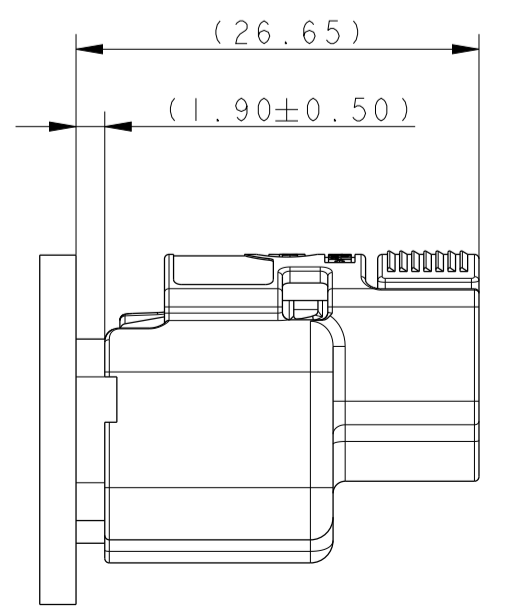


SCALE 1:1

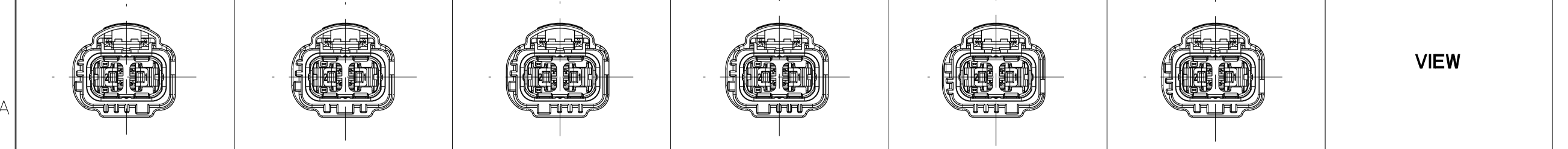
FOR INFORMATION ONLY
LOCKED POSITION



FOR INFORMATION ONLY
DO NOT MEASURE
Gap between the end of the connector's shroud and the interface



PG18.5d-1	PG18.5d-2	PG18.5d-3 MERCEDES	PG18.5d-3	PG18.5d-4	PG18.5d-5	IEC REFERENCE
F487000	F587000	F687000	F826100	F787000	F887000	FCI REFERENCE
GREY	TO BE DEFINED	BLACK	BLACK	TO BE DEFINED	TO BE DEFINED	HOUSING COLOUR
B	B	B	B	B	B	FCI REVISION INDEX



VIEW

ECN-NO.	POSITION	CHANGE DESCRIPTION
1	GRIPS ADDED TO THE REAR LATCH	

PROJECT SPEC.	PACKAGING SPEC.	APPLICATION SPEC.	THIS DRAWING AND ALL OTHER INFORMATION CONTAINED HEREIN IS THE PROPERTY AND THE PROPERTY OF FCI. This drawing may not be copied, reproduced or disclosed to any third party without the express written permission of FCI.	CE PLAN ET LES INFORMATIONS CONTENUES DANS CE PLAN SONT LA PROPRIÉTÉ ET LA PROPRIÉTÉ DE FCI. Ce plan ne peut être copié, reproduit ou transmis sans l'autorisation écrite de FCI.
TOLERANCES	±0.1	±2'	MATERIAL:	STATE OF SURFACE
CONTRACT N°			SEE TABLE	
DO NOT MEASURE DRAWING			SEE TABLE	
DATE	NAME	TITLE	DESIGNATION	DRAWING NUMBER
20180505	J. LEBLANC	PROJECT	2W 15 GTS2 FEMALE CONNECTOR	PCC0544353
20180505	M. GUILLANTON	PROJECT	PG185 SEALED FAMILY	REV. F
20180505	PIERRE MENARD	PROJECT		REV. 1
20180505		PROJECT		REV. 2
20180505		PROJECT		REV. 3
20180505		PROJECT		REV. 4
20180505		PROJECT		REV. 5
20180505		PROJECT		REV. 6
20180505		PROJECT		REV. 7
20180505		PROJECT		REV. 8
20180505		PROJECT		REV. 9
20180505		PROJECT		REV. 10