

# DRC16-70SAE-P013 ✓ ACTIVE

DEUTSCH | DEUTSCH DRC

TE Internal #: DRC16-70SAE-P013

Housing for Female Terminals, Wire-to-Wire, 70 Position, .216 in [5.49 mm] Centerline, Sealable, Black, Wire & Cable, Power & Signal, DEUTSCH DRC

[View on TE.com >](#)



Connectors > Automotive Connectors > Connector Housings > DEUTSCH DRC HOUSINGS



Connector & Housing Type: **Housing for Female Terminals**

Mating Pin Diameter: **1.59 mm [ .063 in ]**

Connector System: **Wire-to-Wire**

Number of Positions: **70**

Centerline (Pitch): **5.49 mm [ .216 in ]**

[All DEUTSCH DRC HOUSINGS \(112\)](#)

## Features

### Product Type Features

Connector & Housing Shape	Rectangular
Connector & Housing Type	Housing for Female Terminals
Connector System	Wire-to-Wire
Sealable	Yes
Hybrid Connector	No
Primary Locking Feature	Contact Retainer
Connector & Contact Terminates To	Wire & Cable

### Configuration Features

Blank Cavity Position	0
Connector Modification	Bonded Front Seal
Connector Seal Code	E Seal
Number of Positions	70
Number of Rows	5

### Electrical Characteristics

Operating Voltage	250 VAC
Nominal Voltage Architecture	12 V, 24 V, 48 V

### Body Features



Cable Exit Angle	180°
Body Material	PPS GF
Primary Product Color	Black
Connector Code	A

#### Contact Features

Contact Size	Size 16
Contact Type	Socket
Mating Pin Diameter	1.59 mm[.063 in]
Contact Current Rating (Max)	13 A

#### Mechanical Attachment

Mounting Feature	Without
Terminal Position Assurance	No
Strain Relief	Add By Accessory
Mating Alignment Type	Keyed
Mating Alignment	With
Connector Mounting Type	Cable Mount (Free-Hanging)

#### Housing Features

Centerline (Pitch)	5.49 mm[.216 in]
--------------------	------------------

#### Dimensions

Product Width	103.99 mm[4.094 in]
Product Length	41.73 mm[1.643 in]
Product Height	36.06 mm[1.421 in]
Row-to-Row Spacing	5.49 mm[.216 in]

#### Usage Conditions

Operating Temperature (Max)	125 °C[257 °F]
Operating Temperature Range	-55 – 125 °C[-67 – 257 °F]

#### Operation/Application

Circuit Application	Power & Signal
---------------------	----------------

#### Industry Standards

Agency/Standard	SAE J2030
Degree of Protection	IP68, IP6K9K
UL Flammability Rating	20mm Flame Test per Standard UL-94



### Packaging Features

Packaging Quantity	50
Packaging Method	Box

### Other

Serviceable	Yes
Connector Position Assurance Capable	No

### Product Compliance

[For compliance documentation, visit the product page on TE.com>](#)

EU RoHS Directive 2011/65/EU	Compliant
EU ELV Directive 2000/53/EC	Compliant
China RoHS 2 Directive MIIT Order No 32, 2016	No Restricted Materials Above Threshold
EU REACH Regulation (EC) No. 1907/2006	Current ECHA Candidate List: JUNE 2022 (224) Candidate List Declared Against: JUNE 2022 (224) Does not contain REACH SVHC
Halogen Content	Not Low Halogen - contains Br or Cl > 900 ppm.
Solder Process Capability	Not reviewed for solder process capability

#### Product Compliance Disclaimer

This information is provided based on reasonable inquiry of our suppliers and represents our current actual knowledge based on the information they provided. This information is subject to change. The part numbers that TE has identified as EU RoHS compliant have a maximum concentration of 0.1% by weight in homogenous materials for lead, hexavalent chromium, mercury, PBB, PBDE, DBP, BBP, DEHP, DIBP, and 0.01% for cadmium, or qualify for an exemption to these limits as defined in the Annexes of Directive 2011/65/EU (RoHS2). Finished electrical and electronic equipment products will be CE marked as required by Directive 2011/65/EU. Components may not be CE marked. Additionally, the part numbers that TE has identified as EU ELV compliant have a maximum concentration of 0.1% by weight in homogenous materials for lead, hexavalent chromium, and mercury, and 0.01% for cadmium, or qualify for an exemption to these limits as defined in the Annexes of Directive 2000/53/EC (ELV). Regarding the REACH Regulation, the information TE provides on SVHC in articles for this part number is based on the latest European Chemicals Agency (ECHA) 'Guidance on requirements for substances in articles' posted at this URL: <https://echa.europa.eu/guidance-documents/guidance-on-reach>

### Compatible Parts




TE Part # CAT-D48-SP729  
DEUTSCH SEALING PLUGS



TE Part # 0411-291-1405  
EXT TOOL, SIZE 16, 14-16 AWG, N, GRN




TE Part # 0411-204-1605  
EXT TOOL, SIZE 16, 16-18 AWG, N, DRK BLU



TE Part # 0411-310-1605  
EXT TOOL, SIZE 16, 16-18 AWG, T, LT BLU



TE Part # 0411-354-1605  
EXT TOOL, SIZE 16, 16-18 AWG, N, BRN



TE Part # CAT-D799-H342  
DEUTSCH DRC HEADERS



TE Part # CAT-D799-CH8172  
DEUTSCH DRC HOUSINGS



TE Part # CAT-D48-SFT273  
DEUTSCH STAMPED & FORMED CONTACTS



TE Part # CAT-D48-ST273  
DEUTSCH SOLID CONTACTS



TE Part # CAT-D799-B128  
DEUTSCH DRC BACKSHELLS



TE Part # DRC70-BT  
BOOT, 70P, 16SZ, PLG/REC, ST, BLK




TE Part # 0411-336-1605  
EXT TOOL, SIZE 16, 16-20 AWG, E, DRK BLU


TE Part # 0515-006-7005  
PROTECT CVR, 70P, PLG, WHT, DRC16

TE Part # 0515-031-7005  
WIRE ROUTER, 70P, BLK, PLG


Also in the Series | **DEUTSCH DRC**



Automotive Connector Caps & Covers (9)



Automotive Housings(112)



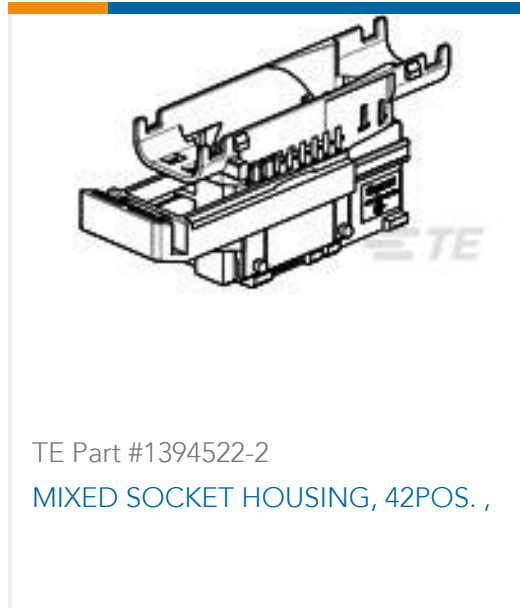
Insertion & Extraction Tools(7)



PCB Headers & Receptacles(41)

Customers Also Bought





## Documents

### Product Drawings

PLG, 70P, BLK, E, SEAL BOND, A

English

### CAD Files

3D PDF

3D

Customer View Model

[ENG\\_CVM\\_CVM\\_DRC16-70SAE-P013\\_A.2d\\_dxf.zip](#)

English

Customer View Model

[ENG\\_CVM\\_CVM\\_DRC16-70SAE-P013\\_A.3d\\_igs.zip](#)

English

Customer View Model

[ENG\\_CVM\\_CVM\\_DRC16-70SAE-P013\\_A.3d\\_stp.zip](#)

English

By downloading the CAD file I accept and agree to the [Terms and Conditions](#) of use.

### Datasheets & Catalog Pages



## ICT Terminals and Connectors Catalogue

English

---

### Product Specifications

#### Application Specification

English

---

### Product Environmental Compliance

#### Product Compliance

English

#### Product Compliance

English

---

### Agency Approvals

#### UL Report

English