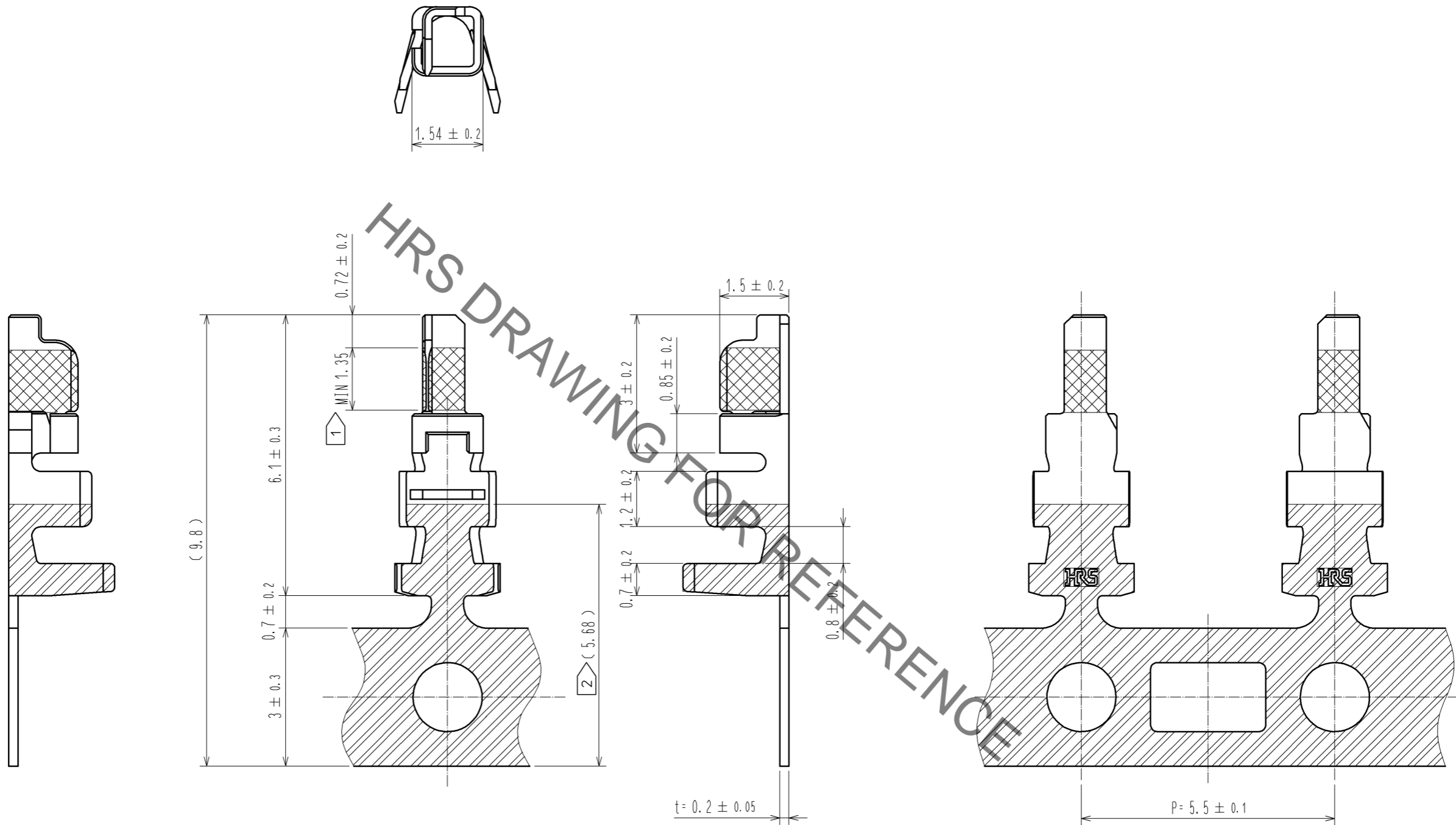


Aug.1.2019 Copyright 2019 HIROSE ELECTRIC CO., LTD. All Rights Reserved.
 In case of consideration for using Automotive equipment / device which demand high reliability, kindly contact our sales window correspondents.



NOTE. ① GOLD PLATING AREA POSITION.
 ② TIN PLATING AREA POSITION.
 3 1 REEL : 10000 CONTACTS.
 ④ UL(FILE NO. E52653).
 C-UL(FILE NO. E52653) APPROVED PRODUCT.



NO. 1		MATERIAL PHOSPHOR BRONZE		FINISH . REMARKS CONTACT AREA : GOLD PLATING 0.2 μm MIN CARRIER AREA : TIN PLATING 1μm MIN OTHERS : NICKEL PLATING 0.5 μm MIN		
UNITS mm	SCALE 5 : 1	COUNT 1	DESCRIPTION OF REVISIONS DIS-H-006791	DESIGNED ST. SATO	CHECKED HK. UMEHARA	DATE 12. 04. 13
APPROVED : KI. AKIYAMA 10. 09. 28		DRAWING NO. EDC3-331131-01				
CHECKED : OM. MIYAMOTO 10. 09. 27		PART NO. DF59-22PCFA				
DESIGNED : KT. ISHII 10. 09. 27		CODE NO. CL667-0016-8-00				
DRAWN : KT. ISHII 10. 09. 27				④ 1/1		