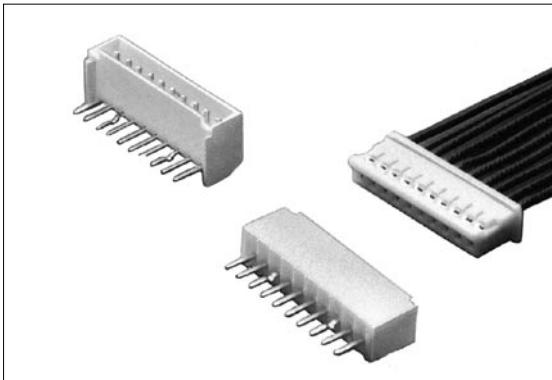


EP Series (1.5mm Pitch)



■ Features

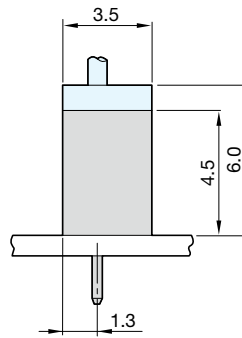
1. This wire to board crimping connector has a mating height of 6.0mm (straight type) and 4.0mm (right-angle type) as well as a 1.5mm pitch.
2. The number of pins available are 2 to 15.
3. Plugs are available in straight and right-angle types.
4. The terminal features a tapered dimple design which highly resistant against fretting.
5. A locking structure is utilized for the socket and plug housing to ensure connection and prevent improper plug insertion.

■ Specification

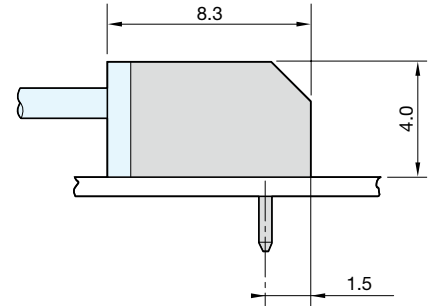
1. Rating : 1A, 50V AC/DC
2. Contact Resistance : 20mΩ max., initially
3. Insulation Resistance : 1000MΩ min. at 500V DC
4. Withstanding Voltage : 500V AC (for one minute)
5. Operating Temperature Range : -25°C to +85°C

■ Mating Diagram

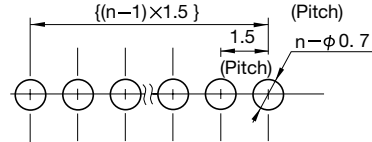
Straight Type



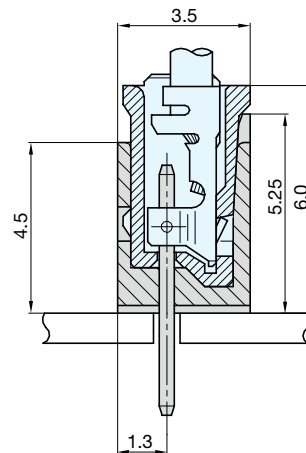
Right-Angle Type



■ P.C. Board Dimension (t=0.8~1.2)

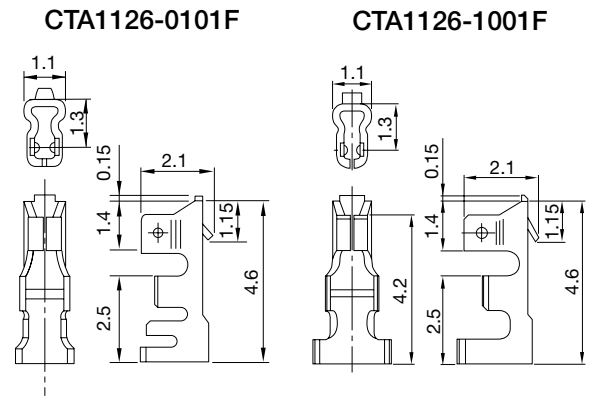


■ Structural Configuration Diagram



● Socket
● Terminal

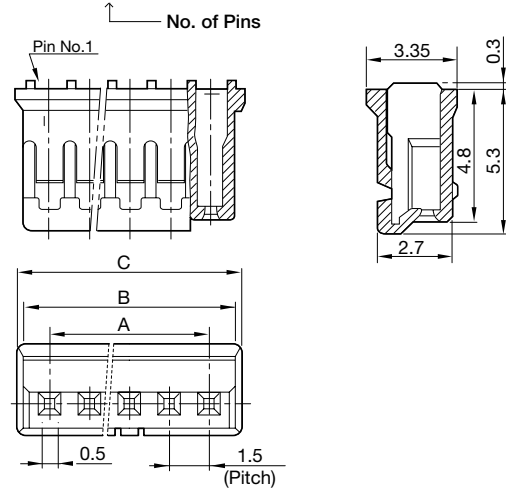
Part No.	Applicable Electrical Wire Size (AWG)	Electrical Wire Sheath Dia. (mm)	Material	Plating	No. of Terminal/ Reel
CTA1126-0101F	32 ~ 26	ø0.54 ~ 0.9	Cu Alloy	Sn (Reflow Treatment)	15,000
CTA1126-1001F	UL1007 AWG26 UL1061 AWG24	ø0.95 ~ 1.5	Cu Alloy	Sn (Reflow Treatment)	15,000



● Housing

□□ No. of Pins	Part No.	A	B	C
2	CGP1202-0101	1.5	3.7	4.0
3	CGP1203-0101	3.0	5.2	5.5
4	CGP1204-0101	4.5	6.7	7.0
5	CGP1205-0101	6.0	8.2	8.5
6	CGP1206-0101	7.5	9.7	10.0
7	CGP1207-0101	9.0	11.2	11.5
8	CGP1208-0101	10.5	12.7	13.0
9	CGP1209-0101	12.0	14.2	14.5
10	CGP1210-0101	13.5	15.7	16.0
11	CGP1211-0101	15.0	17.2	17.5
12	CGP1212-0101	16.5	18.7	19.0
13	CGP1213-0101	18.0	20.2	20.5
14	CGP1214-0101	19.5	21.7	22.0
15	CGP1215-0101	21.0	23.2	23.5

CGP 12□□-0101



■ Material and Plating

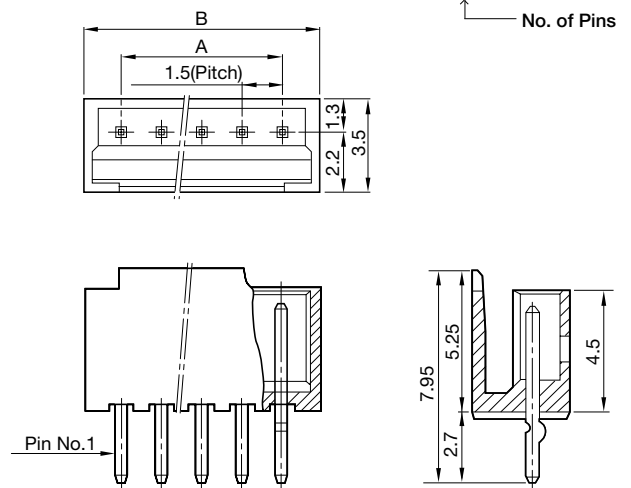
● Housing : Thermoplastic Resin, Natural Color, 94V-0

● Plug

□□ No. of Pins	Straight Type	Right-Angle Type	A	B
2	CGP1602-0101F	CGP1702-0101F	1.5	4.3
3	CGP1603-0101F	CGP1703-0101F	3.0	5.8
4	CGP1604-0101F	CGP1704-0101F	4.5	7.3
5	CGP1605-0101F	CGP1705-0101F	6.0	8.8
6	CGP1606-0101F	CGP1706-0101F	7.5	10.3
7	CGP1607-0101F	CGP1707-0101F	9.0	11.8
8	CGP1608-0101F	CGP1708-0101F	10.5	13.3
9	CGP1609-0101F	CGP1709-0101F	12.0	14.8
10	CGP1610-0101F	CGP1710-0101F	13.5	16.3
11	CGP1611-0101F	CGP1711-0101F	15.0	17.8
12	CGP1612-0101F	CGP1712-0101F	16.5	19.3
13	CGP1613-0101F	CGP1713-0101F	18.0	20.8
14	CGP1614-0101F	CGP1714-0101F	19.5	22.3
15	CGP1615-0101F	CGP1715-0101F	21.0	23.8

Straight Type

CGP 16□□-0101F



■ Material and Plating

● Housing : Thermoplastic Resin, Natural Color, 94V-0

● Plug Pin : Cu Alloy, Sn Plating (Reflow Treatment)

Right-Angle Type

CGP 17□□-0101F

