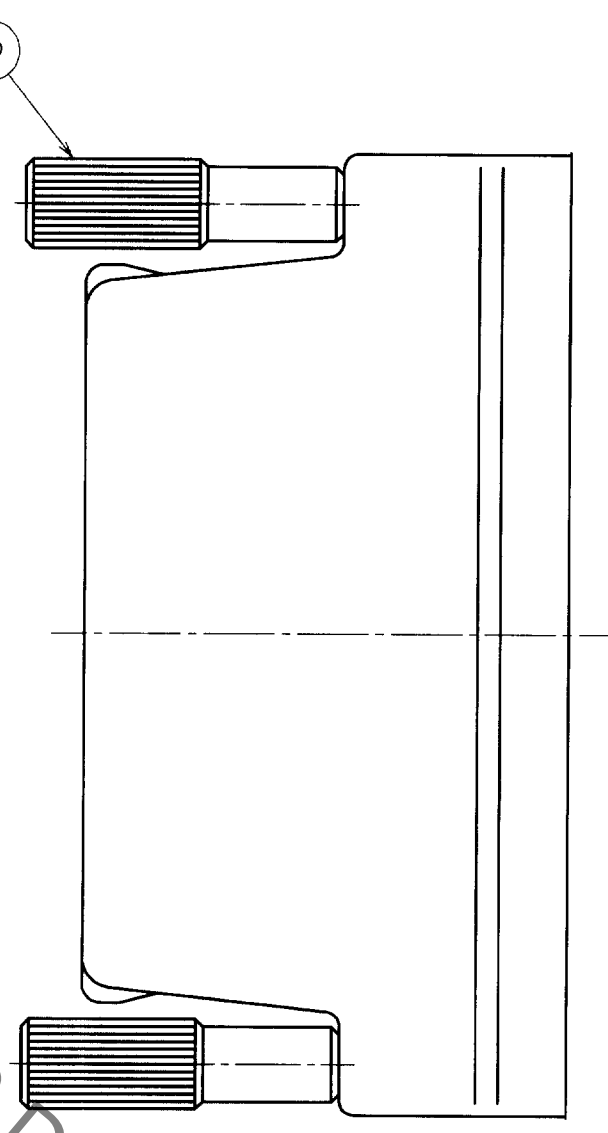
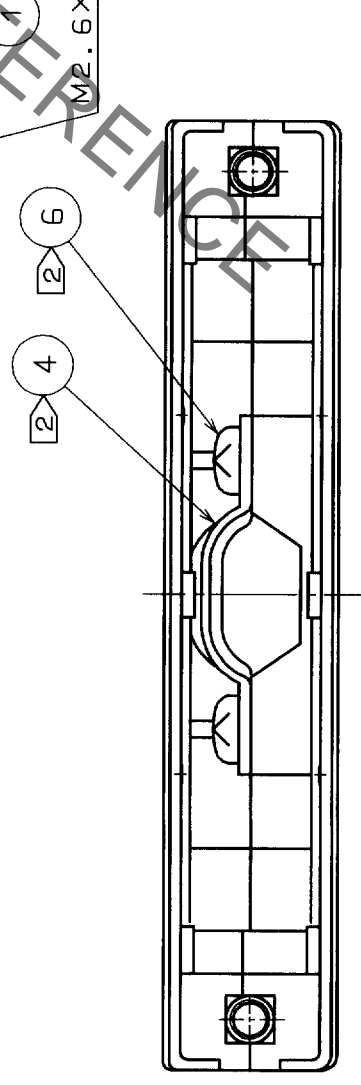
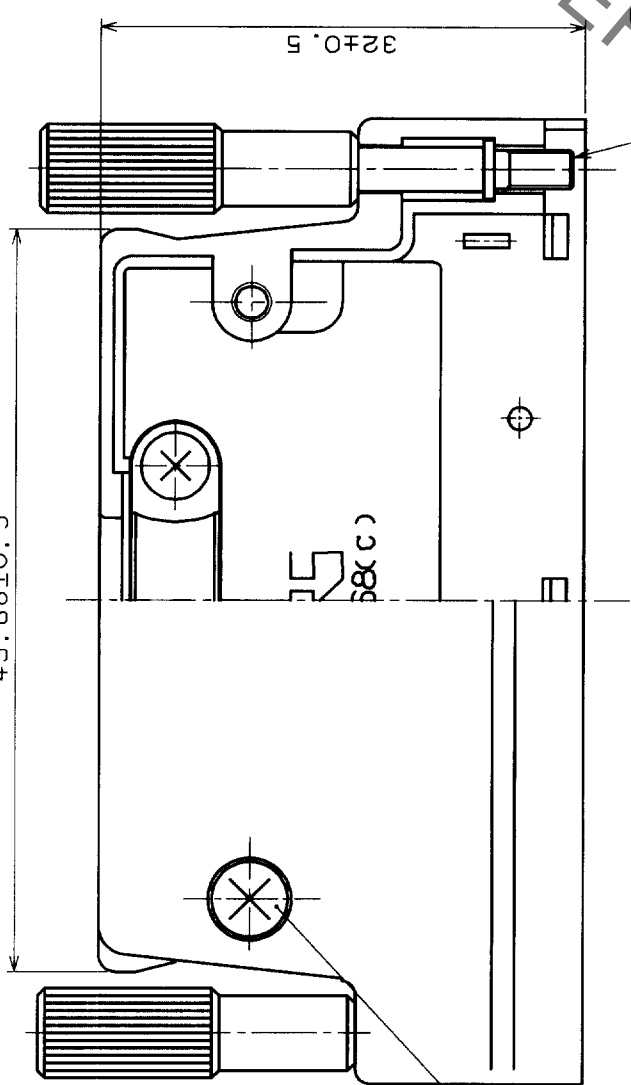
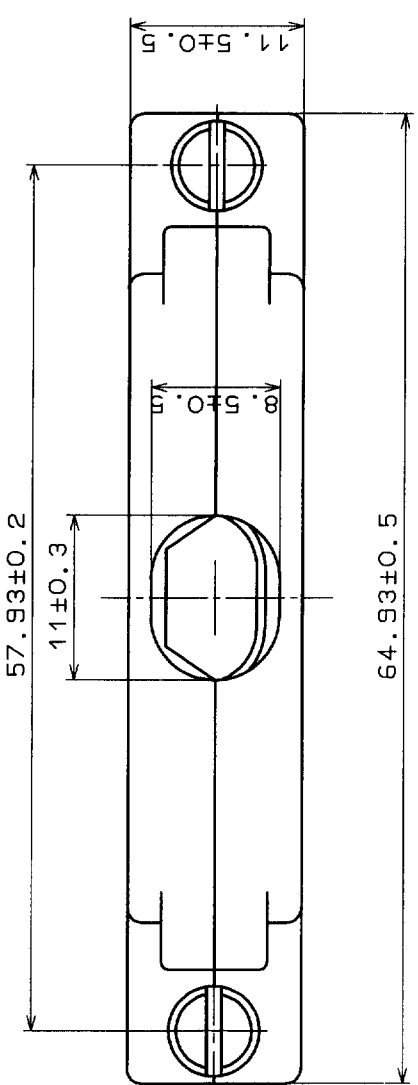


1 7 8

COUNT DESCRIPTION OF REVISIONS	BY	CHKD	DATE	COUNT DESCRIPTION OF REVISIONS	BY	CHKD	DATE
△				△			
△				△			
△				△			

A B C D E F



HRS DRAWING FOR REFERENCE

NOTES: 1. THE DIMENSIONS IN PARENTHESES ARE FOR REFERENCE.
 2. COMPONENTS OF REF. NO. (4) AND (6) ARE APPENDED PRODUCTS.

3	STEEL	NICKEL PLATING	6	BRASS	NICKEL PLATING	
2	ZINC ALLOY DIE CASTING	SILVER BURNING COATING	5	BRASS	NICKEL PLATING	
1	ZINC ALLOY DIE CASTING	SILVER BURNING COATING	4	STAINLESS STEEL		
NO.	MATERIAL	FINISH, REMARKS	NO.	MATERIAL	FINISH, REMARKS	
CODE NO. (OLD)	DRAWN		DESIGNED	CHECKED	APPROVED	RELEASED
	K. Suwabuchi		K. Suwabuchi	J. Aso	J. Tanaka	
	98-05-22		98-05-22	98-05-23	98-5-28	
	DRAWING NO.		PART NO.			
	EDC3-040392		DX30M-68-CV2			
	SCALE		CODE NO.			
	1 : 1		CL230-5059-9			
	UNITS		HRS HIROSE ELECTRIC CO., LTD.			
	mm					

TO Q1 USA

1 2 3 4 5 6 7 8 FORM No. 229