

DT04-2P-RT26 ✓ ACTIVE

DEUTSCH | DEUTSCH DT

TE Internal #: DT04-2P-RT26

Component-to-Wire, 2 Position, .215 in [5.46 mm] Centerline,
Sealable, Black, Wire & Cable, Power & Signal, -67 – 257 °F [-55 –
125 °C], DEUTSCH DT

[View on TE.com >](#)



Connectors > Automotive Connectors > Connector Housings > DEUTSCH DT Series Housings & Connectors



Mating Pin Diameter: 1.59 mm [.063 in]

Connector System: **Component-to-Wire**

Number of Positions: 2

Centerline (Pitch): 5.46 mm [.215 in]

Sealable: **Yes**

[All DEUTSCH DT Series Housings & Connectors \(461\)](#)

Features

Product Type Features

Connector & Housing Shape	Rectangular
Connector System	Component-to-Wire
Sealable	Yes
Hybrid Connector	No
Primary Locking Feature	Overmolded
Connector & Contact Terminates To	Wire & Cable

Configuration Features

Blank Cavity Position	0
Number of Positions	2
Number of Rows	1

Electrical Characteristics

Operating Voltage	250 VAC
-------------------	---------



Nominal Voltage Architecture	12 V, 24 V, 48 V
------------------------------	------------------

Body Features

Body Material	PA GF
Primary Product Color	Black

Contact Features

Mating Pin Diameter	1.59 mm[.063 in]
Contact Current Rating (Max)	13 A

Mechanical Attachment

Mounting Feature	With
Terminal Position Assurance	No
Strain Relief	Add By Accessory
Mating Alignment Type	Polarized
Mating Alignment	With

Housing Features

Centerline (Pitch)	5.46 mm[.215 in]
--------------------	------------------

Dimensions

Product Width	25.4 mm[1 in]
Product Length	39.5 mm[1.555 in]
Product Height	22.71 mm[.873 in]

Usage Conditions

Operating Temperature (Max)	125 °C[257 °F]
Operating Temperature Range	-55 – 125 °C[-67 – 257 °F]

Operation/Application

Circuit Application	Power & Signal
---------------------	----------------

Industry Standards

Agency/Standard	SAE J2030
Degree of Protection	IP68, IP6K9K
UL Flammability Rating	12mm Flame Test per Standard UL-94

Packaging Features

Packaging Quantity	650
Packaging Method	Box



Other

Serviceable	No
Connector Position Assurance Capable	No

Product Compliance

[For compliance documentation, visit the product page on TE.com>](#)

EU RoHS Directive 2011/65/EU	Compliant with Exemptions
EU ELV Directive 2000/53/EC	Compliant with Exemptions
China RoHS 2 Directive MIIT Order No 32, 2016	Restricted Materials Above Threshold
EU REACH Regulation (EC) No. 1907/2006	Current ECHA Candidate List: JUNE 2022 (224) Candidate List Declared Against: JAN 2022 (223) SVHC > Threshold: Pb (1.2% in Component Part) Article Safe Usage Statements: Do not eat, drink or smoke when using this product. Wash thoroughly after handling. Recycle if possible and dispose of the article by following all applicable governmental regulations relevant to your geographic location.
Halogen Content	Not Low Halogen - contains Br or Cl > 900 ppm.
Solder Process Capability	Not reviewed for solder process capability

Product Compliance Disclaimer

This information is provided based on reasonable inquiry of our suppliers and represents our current actual knowledge based on the information they provided. This information is subject to change. The part numbers that TE has identified as EU RoHS compliant have a maximum concentration of 0.1% by weight in homogenous materials for lead, hexavalent chromium, mercury, PBB, PBDE, DBP, BBP, DEHP, DIBP, and 0.01% for cadmium, or qualify for an exemption to these limits as defined in the Annexes of Directive 2011/65/EU (RoHS2). Finished electrical and electronic equipment products will be CE marked as required by Directive 2011/65/EU. Components may not be CE marked. Additionally, the part numbers that TE has identified as EU ELV compliant have a maximum concentration of 0.1% by weight in homogenous materials for lead, hexavalent chromium, and mercury, and 0.01% for cadmium, or qualify for an exemption to these limits as defined in the Annexes of Directive 2000/53/EC (ELV). Regarding the REACH Regulation, the information TE provides on SVHC in articles for this part number is based on the latest European Chemicals Agency (ECHA) 'Guidance on requirements for substances in articles' posted at this URL: <https://echa.europa.eu/guidance-documents/guidance-on-reach>

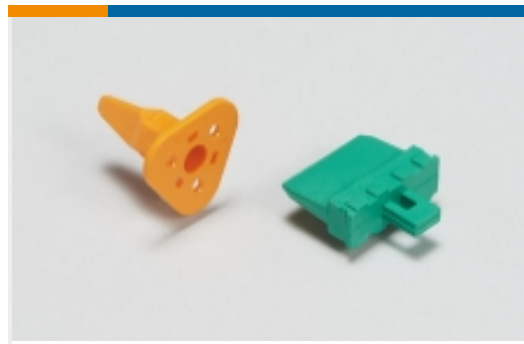
Compatible Parts

 <p>TE Part # CAT-D487-M8649 DEUTSCH DT MOUNTING CLIPS</p>	 <p>TE Part # CAT-D487-CH8172 DEUTSCH DT Series Housings & Connectors</p>	 <p>TE Part # 1924487-2 MOUNTING CLIP, AMPSEAL 16</p>
---	--	--

Also in the Series | DEUTSCH DT



Automotive Connector Caps & Covers (98)



Automotive Connector Locks & Position Assurance(73)



Automotive Housings(619)



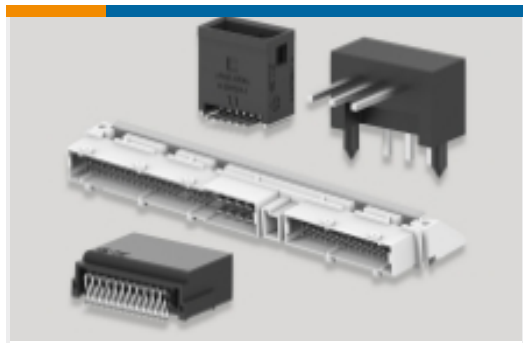
Automotive Seals & Cavity Plugs(4)



Insertion & Extraction Tools(3)

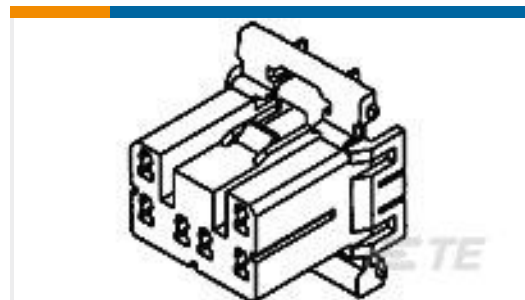


Other Automotive Connector Accessories(14)



PCB Headers & Receptacles(106)

Customers Also Bought



TE Part #173852-1
070 MULTILOCK PLUG 14P



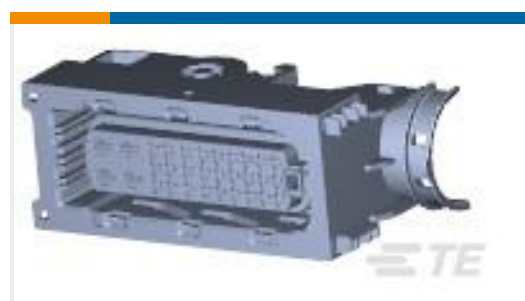
TE Part #1-1418483-1
2POS,AMP MCP2.8,REC. HSG,CODA



TE Part #926299-3
5P UN-MNL STECKGEH



TE Part #1-172888-3
COMPRUBBER PLUG SILICON



TE Part #1-1564297-6
31POS, MIXED,REC HSG,ASSY



TE Part #962936-1
TIMER, RECEPTACLE AND TAB



TE Part #5-963715-5
MQS0,63 Au rec LL unseal. 0,5-0,75



TE Part #1241374-1
AMP MCP 1.5K, CONTACT

Documents

Product Drawings

REC, 2P, BLK, 1.5K OHM RESISTOR, NI

English

CAD Files

Customer View Model

ENG_CVM_CVM_DT04-2P-RT26_99.2d_dxf.zip



English

[3D PDF](#)

3D

Customer View Model

[ENG_CVM_CVM_DT04-2P-RT26_99.3d_igs.zip](#)

English

Customer View Model

[ENG_CVM_CVM_DT04-2P-RT26_99.3d_stp.zip](#)

English

By downloading the CAD file I accept and agree to the [Terms and Conditions](#) of use.

Datasheets & Catalog Pages

[ICT Terminals and Connectors Catalogue](#)

English

Product Specifications

[Application Specification](#)

English

Agency Approvals

[UL Report](#)

English