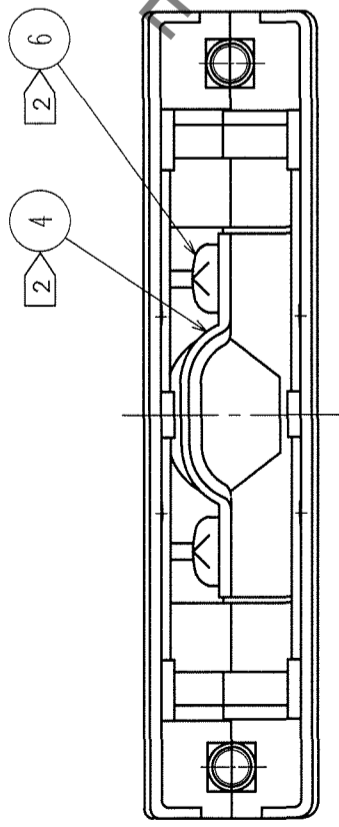
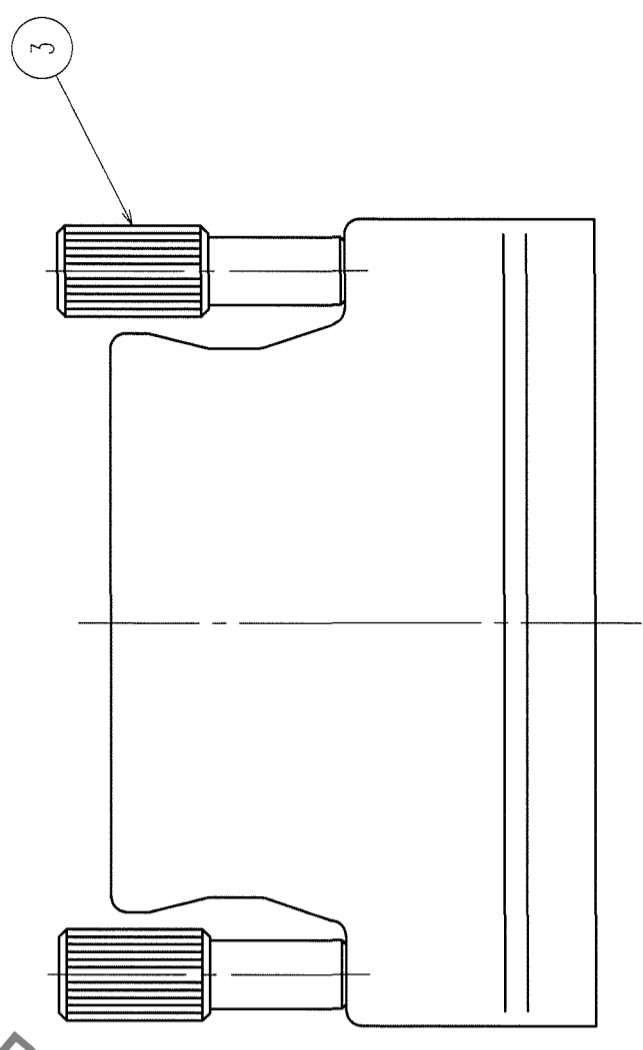
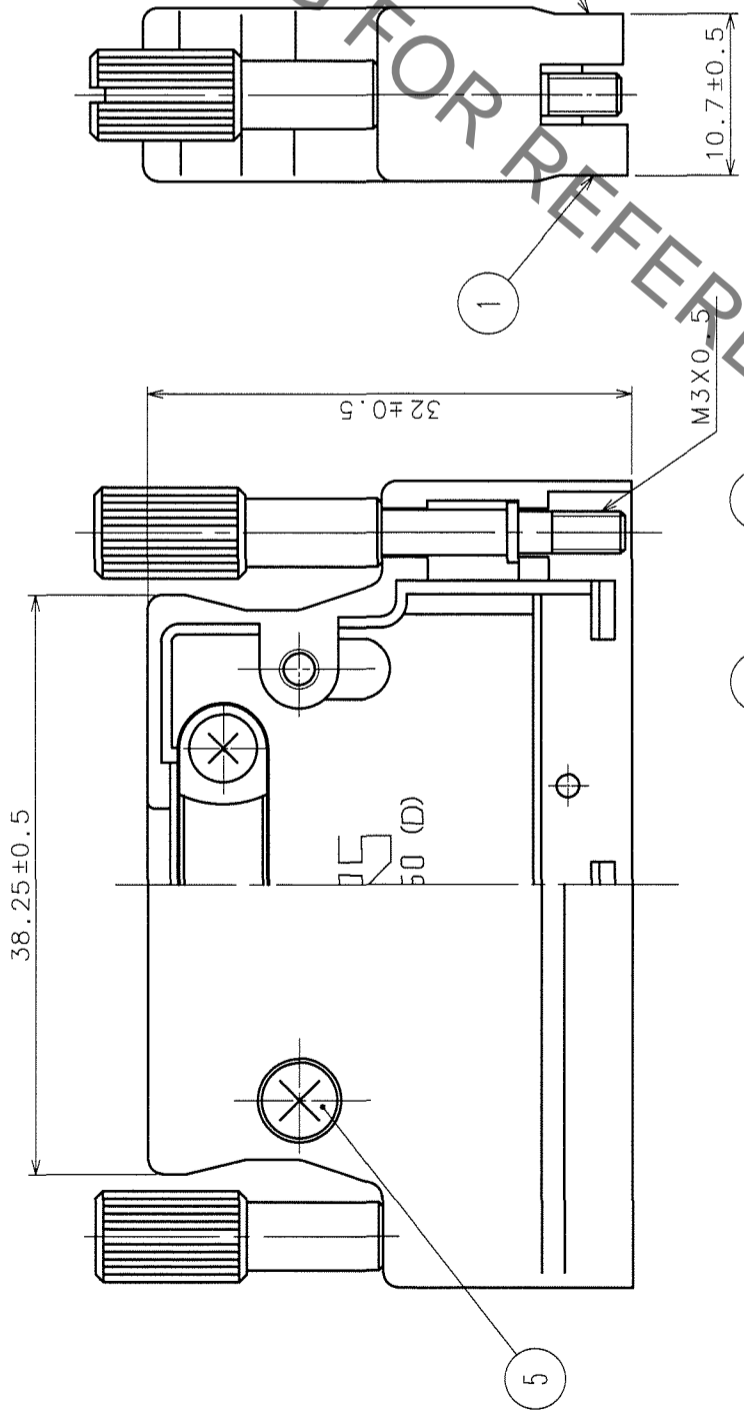
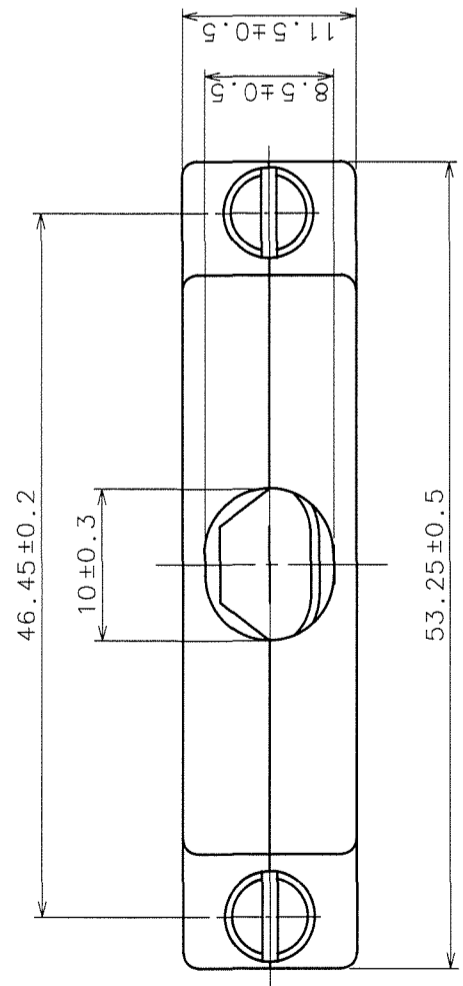


Jun.1.2019 Copyright 2019 HIROSE ELECTRIC CO., LTD. All Rights Reserved.
 2 In case of consideration for using Automotive equipment / device which demand high reliability, kindly contact our sales window correspondents.

COUNT	DESCRIPTION OF REVISIONS	BY	CHKD	DATE	COUNT	DESCRIPTION OF REVISIONS	BY	CHKD	DATE
1	RE-E-10106	Y.S.Y.E		04.7.14					

A B C D E F



NOTES 1. THE DIMENSIONS IN PARENTHESES ARE FOR REFERENCE.
 2. COMPONENTS OF REF No. (4) AND (6) ARE APPENDED PRODUCTS.

NO.	MATERIAL	FINISH, REMARKS	NO.	MATERIAL	FINISH, REMARKS
3	STEEL	NICKEL PLATING	6	STEEL	NICKEL PLATING
2	ZINC ALLOY DIE CASTING	SILVER BURNING COATING	5	BRASS	NICKEL PLATING
1	ZINC ALLOY DIE CASTING	SILVER BURNING COATING	4	STAINLESS STEEL	

CODE NO. (OLD)	DRAWN	DESIGNED	CHECKED	APPROVED	RELEASED
	K. Toba '99.11.4	A. Kules '99.11.4	Y. Sasaki '99.11.5	H. Muro '99.11.5	

DRAWING NO. EDC3-040136	PART NO. DX-50-CV1
SCALE 2 : 1	CODE NO. CL230-0057-6
UNITS mm	

TO	
Q1	

HRS DRAWING FOR REFERENCE

1 2 3 4 5 6 7 8