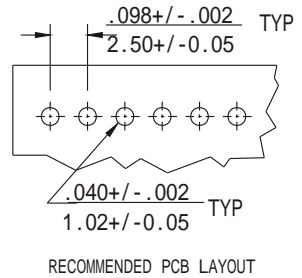
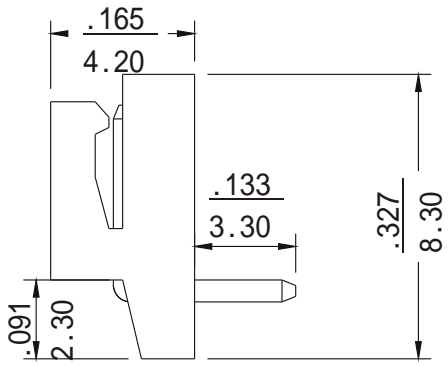
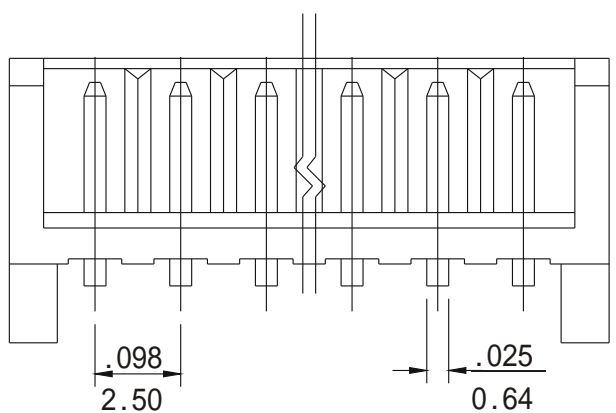
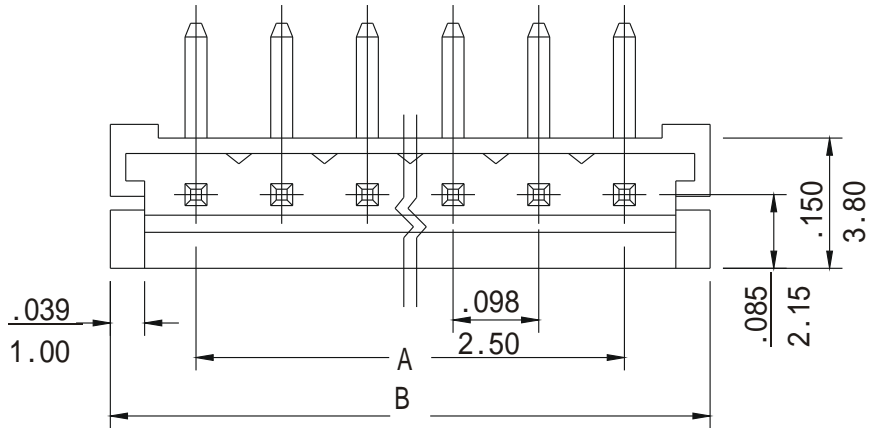


### EH Series Right Angle Pin Headers

- \* Material : Nylon UL 94V-0
- \* Contact : Phosphor bronze
- \* Current rating : 1A, AC/DC
- \* Voltage rating : 125V, AC/DC
- \* Standard color: white
- \* .025" (0.64mm) right angle square pins
- \* 2-15 circuits available



Dimensional information - inch/mm (P120I/P120L)

| Circuits | Dim. A |       | Dim. B |       | Circuits | Dim. A |       | Dim. B |       |
|----------|--------|-------|--------|-------|----------|--------|-------|--------|-------|
|          | inch   | mm    | inch   | mm    |          | inch   | mm    | inch   | mm    |
| 2        | 0.098  | 2.50  | 0.295  | 7.50  | 9        | 0.787  | 20.00 | 0.984  | 25.00 |
| 3        | 0.197  | 5.00  | 0.394  | 10.00 | 10       | 0.886  | 22.50 | 1.083  | 27.50 |
| 4        | 0.295  | 7.50  | 0.492  | 12.50 | 11       | 0.984  | 25.00 | 1.181  | 30.00 |
| 5        | 0.394  | 10.00 | 0.591  | 15.00 | 12       | 1.083  | 27.50 | 1.280  | 32.50 |
| 6        | 0.492  | 12.50 | 0.689  | 17.50 | 13       | 1.181  | 30.00 | 1.378  | 35.00 |
| 7        | 0.591  | 15.00 | 0.787  | 20.00 | 14       | 1.280  | 32.50 | 1.476  | 37.50 |
| 8        | 0.689  | 17.50 | 0.886  | 22.50 | 15       | 1.378  | 35.00 | 1.575  | 40.00 |

**MORETHANALL**  
CONNECTORS  
ASSEMBLIES

**焯倫有限公司**

|           |           |
|-----------|-----------|
| PART NO.  | EH-R-xx   |
| DWG NO.   | EH-R-xx   |
| FILE NO.  |           |
| UNIT / mm | SCALE 1:1 |

|            |    |
|------------|----|
| CHECKED BY | CY |
| DRAWING BY |    |
| PROJECTION |    |

TOLERANCES ARE

.X ±  
.XX ±  
.XXX ±  
AWG

|              |           |    |      |  |
|--------------|-----------|----|------|--|
| DESCRIPTION: |           |    |      |  |
| AREA         | REVISIONS | HK | DATE |  |