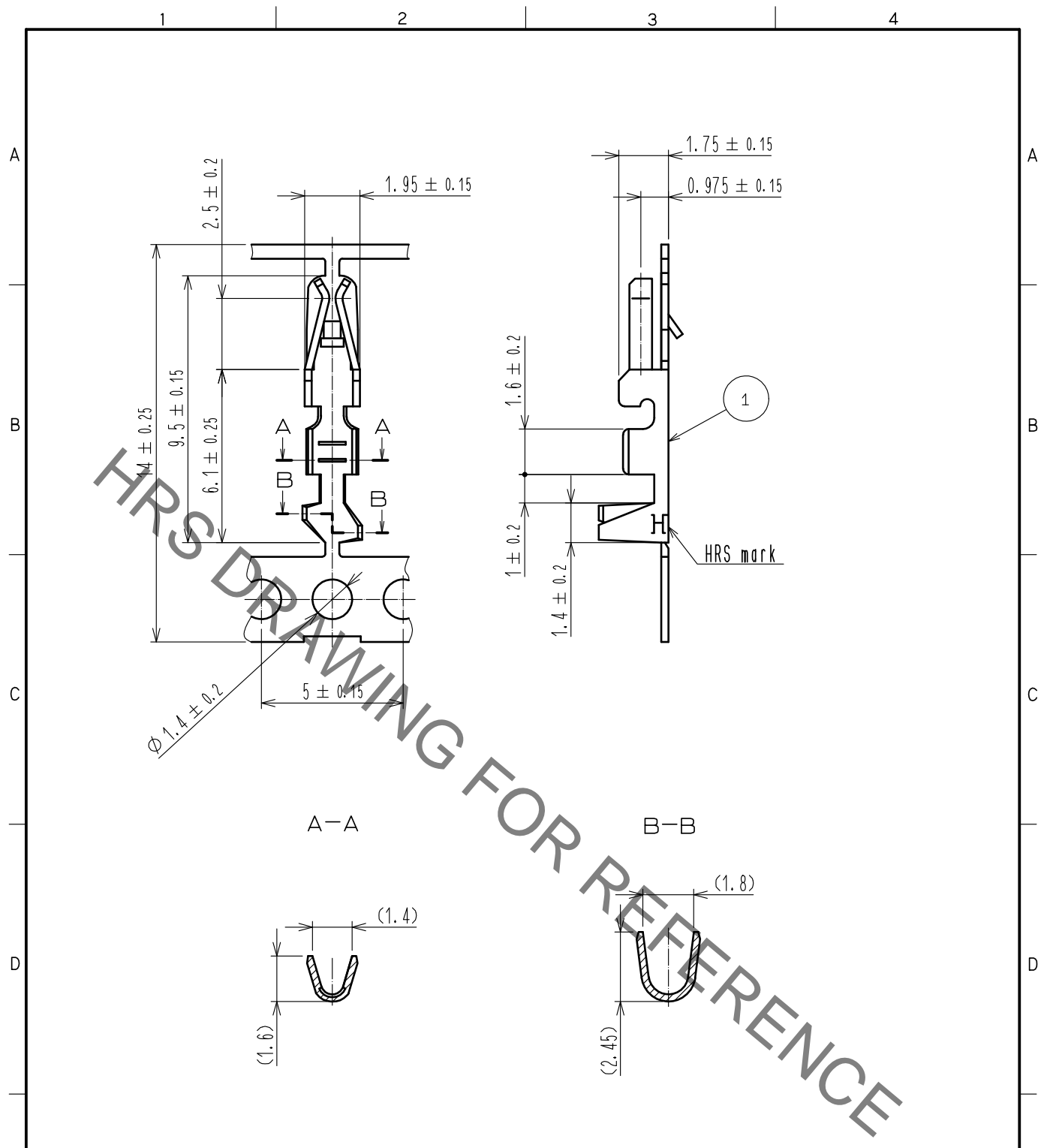


Oct.1.2019 Copyright 2019 HIROSE ELECTRIC CO., LTD. All Rights Reserved.  
 In case of consideration for using Automotive equipment / device which demand high reliability, kindly contact our sales window correspondents.



Notes 1. Applicable cable 24-28 AWG

NO.		MATERIAL		FINISH . REMARKS		NO.		MATERIAL		FINISH . REMARKS	
		1		PHOSPHOR BRONZE				TIN PLATED		1 μm MIN	
UNITS mm		SCALE 5 : 1	COUNT 	DESCRIPTION OF REVISIONS			DESIGNED	CHECKED	DATE		
<b>HRS</b> HIROSE ELECTRIC CO., LTD.		APPROVED : HS. OKAWA	20181023	DRAWING NO.			EDC-080530-00-00				
		CHECKED : SZ. ONO	20181023	PART NO.			DF1B-2428SCF				
		DESIGNED : TS. KUMAZAWA	20181023	CODE NO.			CL541-0678-1-00				
		DRAWN : SN. MIWA	20181023								1/1