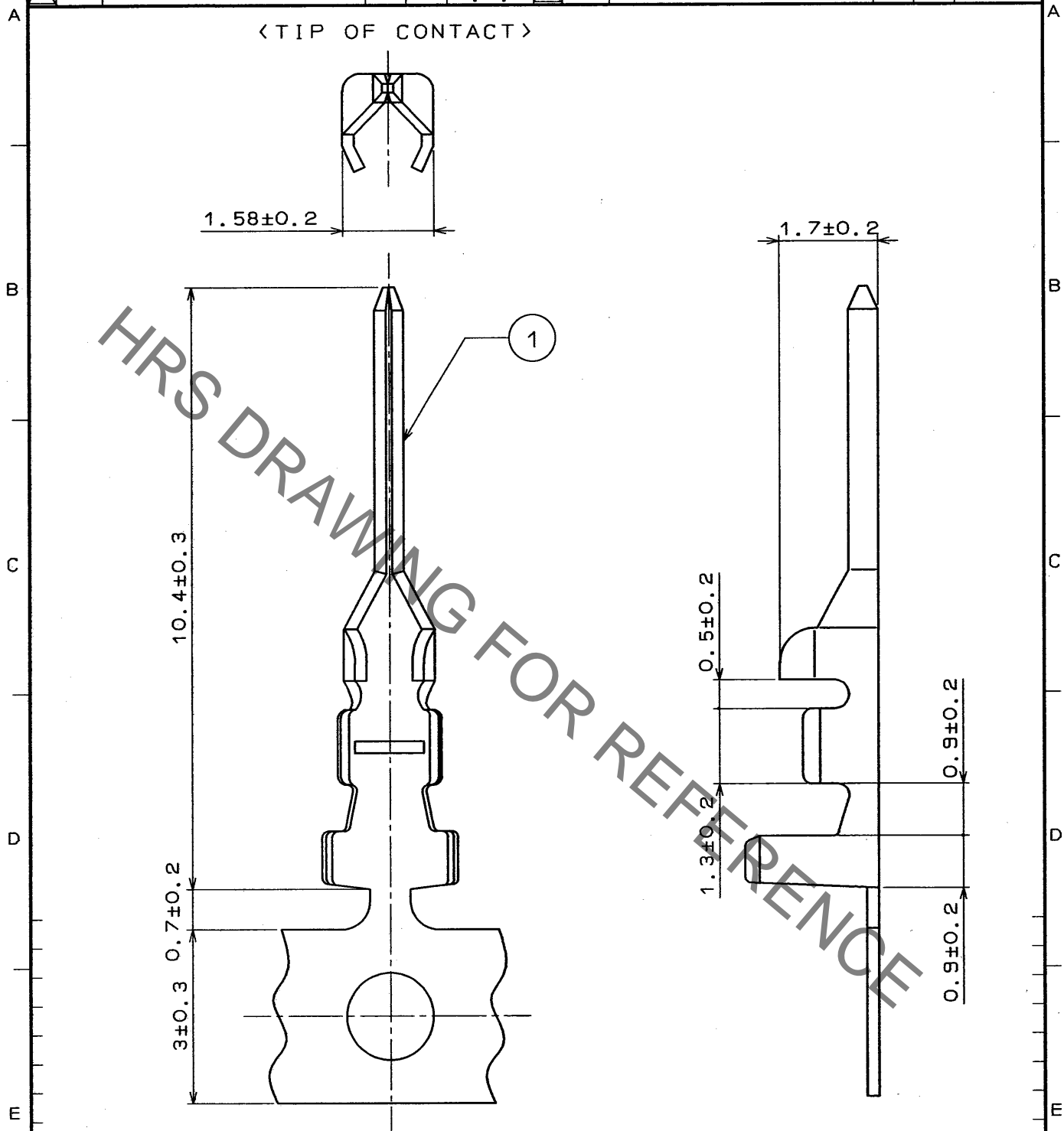


May.1.2019 Copyright 2019 HIROSE ELECTRIC CO., LTD. All Rights Reserved.
 In case of consideration for using Automotive equipment / device which demand high reliability, kindly contact our sales window correspondents.

1	2	3	4						
COUNT	DESCRIPTION OF REVISIONS	BY	CHKD	DATE	COUNT	DESCRIPTION OF REVISIONS	BY	CHKD	DATE
△				..	△				..
△				..	△				..
△				..	△				..



NOTE1. ONE REEL HAS 10000 PIECES OF CONTACTS.

NO.		MATERIAL		FINISH, REMARKS		NO.		MATERIAL		FINISH, REMARKS	
		1		PHOSPHOR BRONZE				TIN PLATED			
CODE NO. (OLD)				DRAWN		DESIGNED		CHECKED		APPROVED	
				<i>T. Miyajaki</i>		<i>T. Miyajaki</i>		<i>C. Hanami</i>		<i>H. Yamano</i>	
				94.9.29		94.9.29		94.10.3		94.10.5	
				RELEASED							

TO

DRAWING NO. EDC4-083343-02		PART NO. DF11-EP2428PCF	
UNITS mm		CODE NO. CL543-0615-4	
HRS HIROSE ELECTRIC CO., LTD.		1/1	