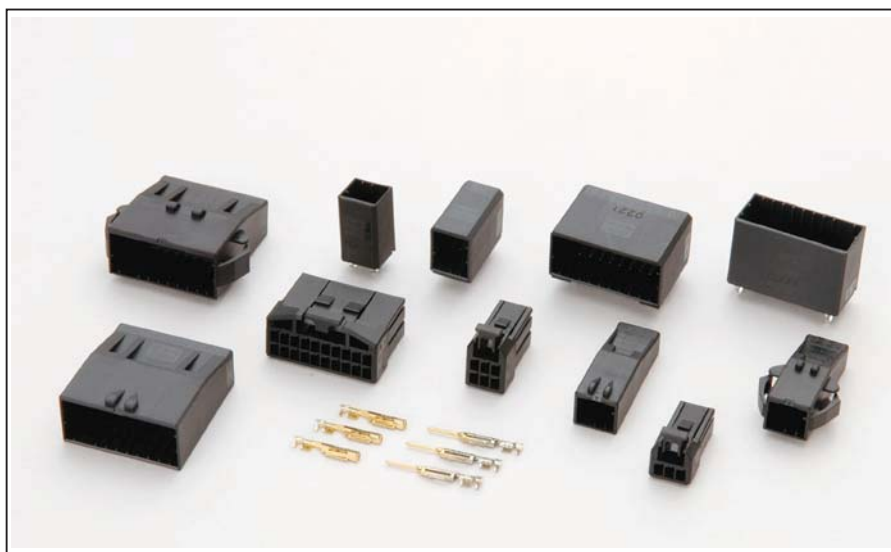


2.5mm Pitch Wire to Wire / Wire to Board Connector

DK-2000 Series



Safety Standard
UL, CUL, TÜV



OUTLINE

DK-2000 series is 2.5mm pitch cable to cable / cable to board connector for industrial signal relay. Contacts are crimp type for easy termination. (PCB mounting type is DIP termination.) Locking mechanism enables to ensure full mating audibly.

APPLICATIONS

- Robotics, Servo Motor
- Medical, Communication, Office automation

SPECIFICATIONS

Rated Voltage	250V AC (r.m.s.)
Dielectric Withstanding Voltage	1500V AC (r.m.s.) / 1 minute
Insulation Resistance	1000M Ω (min.) at 500V DC
Contact Resistance	10m Ω (max.)
Operating Temperature	-55°C ~ 105°C
Contact Pitch	2.5mm

Rated Current	Wire Size(AWG#)			
	#18	#24	#28	
Number of Contact	1	5A	3.3A	2.3A
	5	5A	2.7A	2A
	10	4.5A	2.5A	1.8A
	15	4A	2.3A	1.5A
	20	3.2A	2A	1.2A



MATERIAL / FINISH

Item	Material / Finish
Contact	Copper Alloy / Au over Ni Plating, Sn-Ag Plating(PCB Mounting Type)
Housing	PBT Resin (UL94V-0) / Black

STANDARDS



© Specifications and/or dimensions in this catalog are subject to change without notice.
Your checking the latest specifications with our drawings would be highly appreciated.

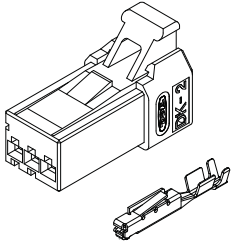
DK-2100S (Single Row Type)

Housing Type

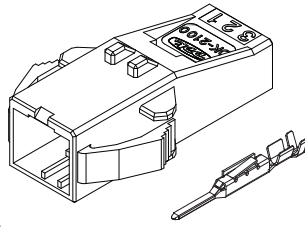
Receptacle Housing

Tab Housing

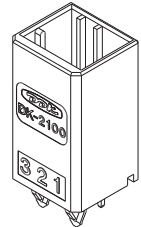
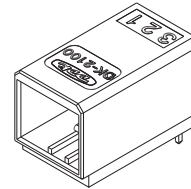
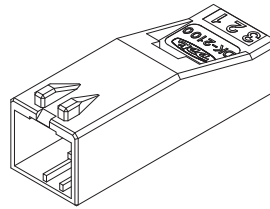
Tab Header(PCB Mounting Type)



Receptacle Contact



Tab Contact



Panel Mounting Type

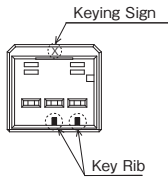
Free Hanging Type

Horizontal Type

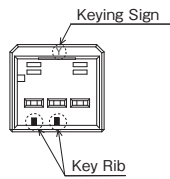
Vertical Type

Number of Contact	Keying	Receptacle Housing	Tab Housing		Tab Header(PCB Mounting Type)	
			Panel Mounting Type	Free Hanging Type	Horizontal Type	Vertical Type
3	X	DK-2100S-03R	DK-2100S-03P	DK-2100S-03F	DK-2100S-03H □ -FA	DK-2100S-03V □ -FA

Keying



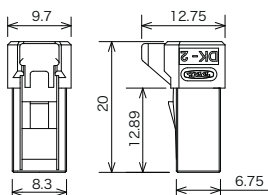
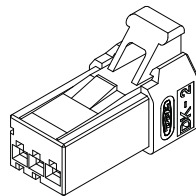
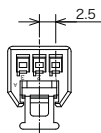
X Type



Y Type

Receptacle Housing

P/N : DK-2100S-03R □

 Keying
No Digit : X Key


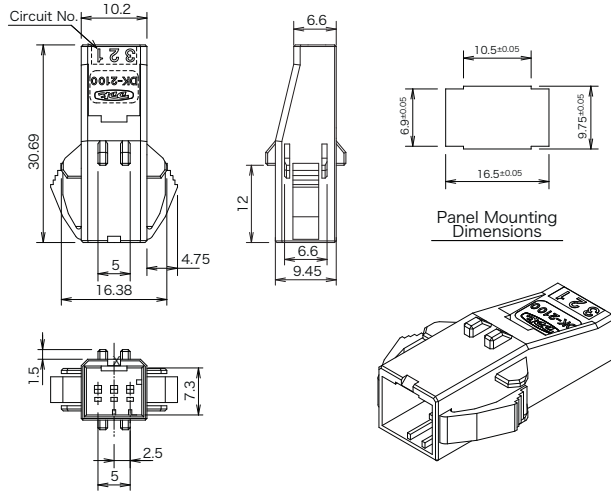
© Specifications and/or dimensions in this catalog are subject to change without notice.
Your checking the latest specifications with our drawings would be highly appreciated.

Tab Housing

Panel Mounting Type

P/N : DK-2100S-03P □

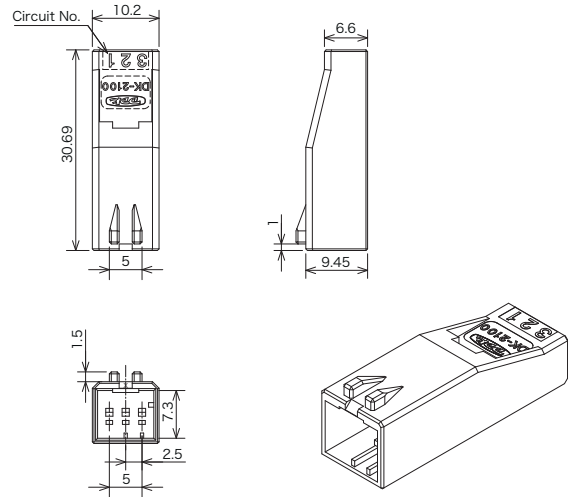
Keying
No Digit : X Key



Free Hanging Type

P/N : DK-2100S-03F □

Keying
No Digit : X Key

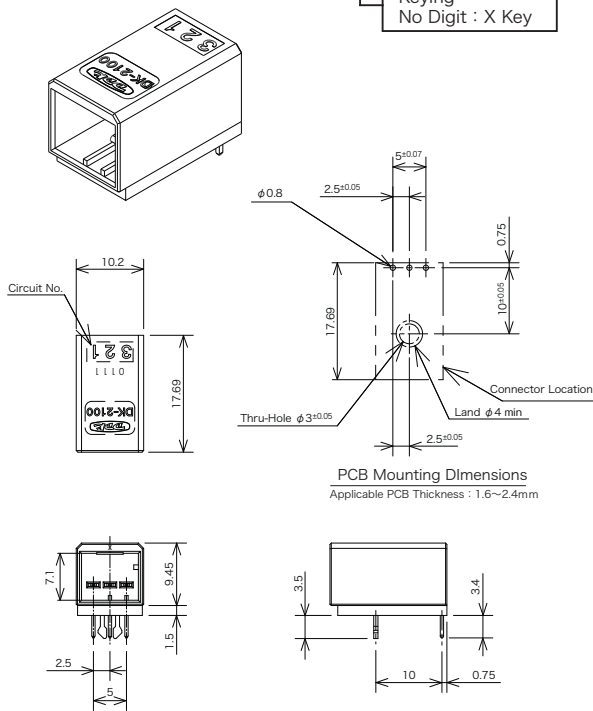


Tab Header (PCB Mounting Type)

Horizontal Type

P/N : DK-2100S-03H □ -FA

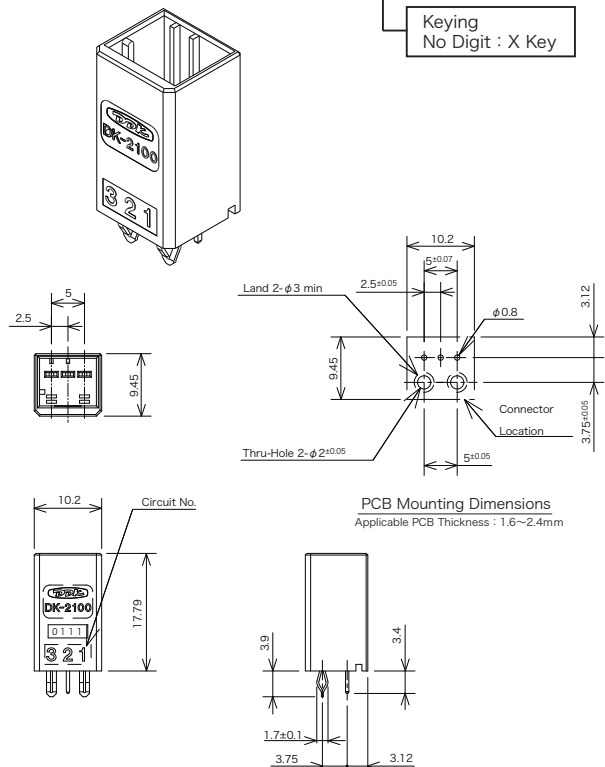
Keying
No Digit : X Key



Vertical Type

P/N : DK-2100S-03V □ -FA

Keying
No Digit : X Key

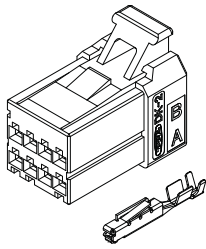


© Specifications and/or dimensions in this catalog are subject to change without notice.
Your checking the latest specifications with our drawings would be highly appreciated.

DK-2100D (Double Row Type)

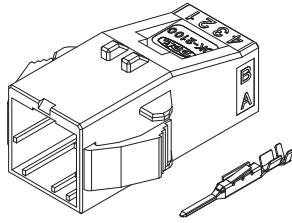
Housing Type

Receptacle Housing



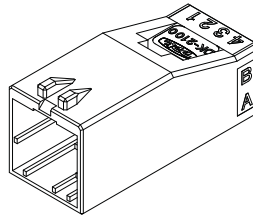
Receptacle Contact

Tab Housing

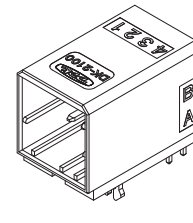


Tab Contact

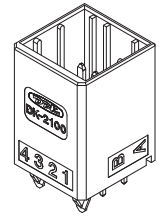
Tab Header (PCB Mounting Type)



Free Hanging Type



Horizontal Type

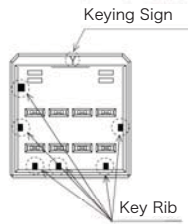
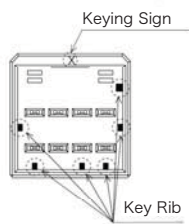


Vertical Type

Panel Mounting Type

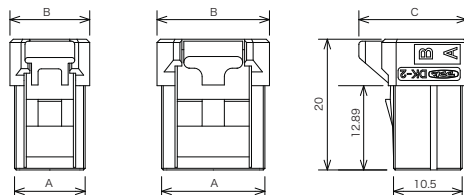
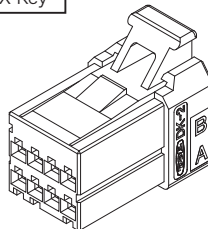
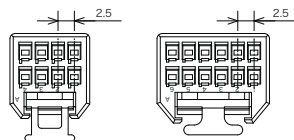
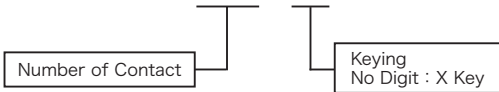
Number of Contact	Keying	Receptacle Housing	Tab Housing		Tab Header (PCB Mounting Type)	
			Panel Mounting Type	Free Hanging Type	Horizontal Type	Vertical Type
6	X	DK-2100D-06R	DK-2100D-06P	DK-2100D-06F	DK-2100D-06H □ -FA	DK-2100D-06V □ -FA
8	X	DK-2100D-08R	DK-2100D-08P	DK-2100D-08F	DK-2100D-08H □ -FA	DK-2100D-08V □ -FA
12	X	DK-2100D-12R	DK-2100D-12P	DK-2100D-12F	DK-2100D-12H □ -FA	DK-2100D-12V □ -FA
20	X	DK-2100D-20R	DK-2100D-20P	DK-2100D-20F	DK-2100D-20H □ -FA	DK-2100D-20V □ -FA

Keying



Receptacle Housing

P/N : DK-2100D-□□ R□



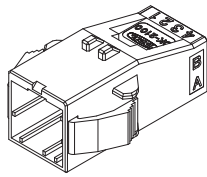
Number of Contact	Part Number	A	B	C
6	DK-2100D-06R □	8.3	9.7	16.5
8	DK-2100D-08R □	10.8	12.2	16.5
12	DK-2100D-12R □	15.8	17.2	15.5
20	DK-2100D-20R □	25.8	27.2	15.5

© Specifications and/or dimensions in this catalog are subject to change without notice.
 Your checking the latest specifications with our drawings would be highly appreciated.

Tab Housing

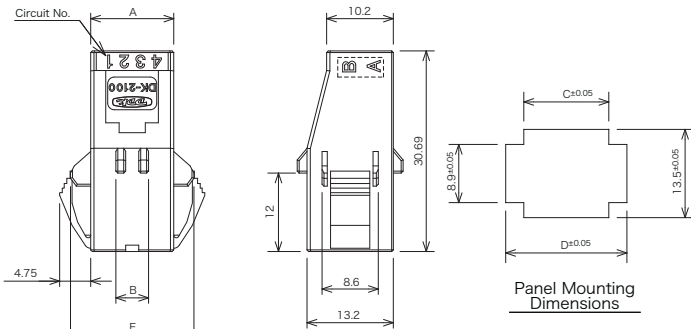
Panel Mounting Type

P/N : DK-2100D-□□ P □



Keying
No Digit : X Key

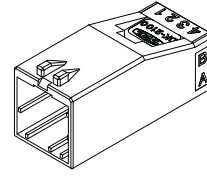
Number of Contact



Number of Contact	Part Number	A	B	C	D	E
6	DK-2100D-06P □	10.2	5	10.5	16.5	16.38
8	DK-2100D-08P □	12.7	5	13	19.0	18.88
12	DK-2100D-12P □	17.7	9	18	24.0	23.88
20	DK-2100D-20P □	27.7	9	28	34.0	33.88

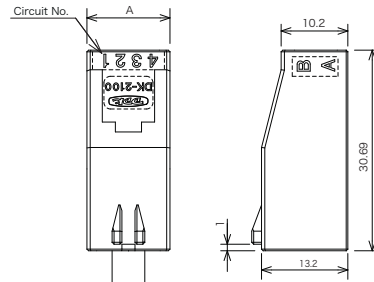
Free Hanging Type

P/N : DK-2100D-□□ F □



Keying
No Digit : X Key

Number of Contact



Number of Contact	Part Number	A	B
6	DK-2100D-06F □	10.2	5
8	DK-2100D-08F □	12.7	5
12	DK-2100D-12F □	17.7	7
20	DK-2100D-20F □	27.7	7

Tab Header (PCB Mounting Type)

Horizontal Type

P/N : DK-2100D-□□ H □ -FA

Number of Contact	Part Number	A	B
6	DK-2100D-06H □ -FA	5	10.0
8	DK-2100D-08H □ -FA	7.5	12.7
12	DK-2100D-12H □ -FA	12.5	17.7
20	DK-2100D-20H □ -FA	22.5	27.7

Keying
No Digit : X Key

Number of Contact

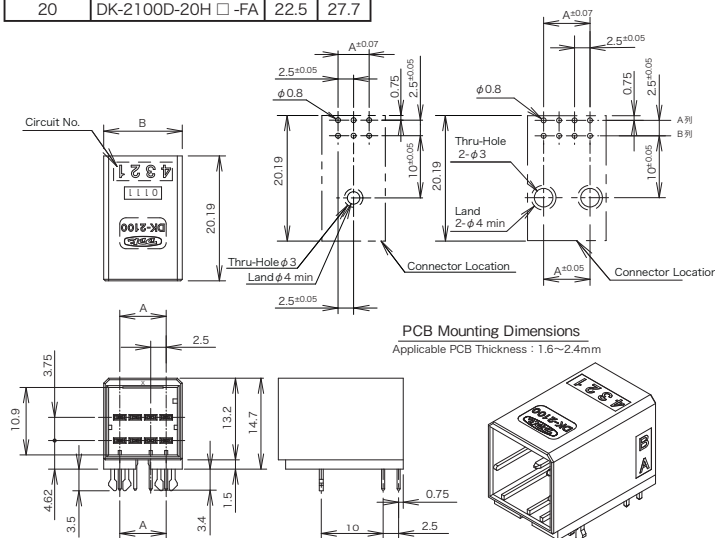
Vertical Type

P/N : DK-2100D-□□ V □ -FA

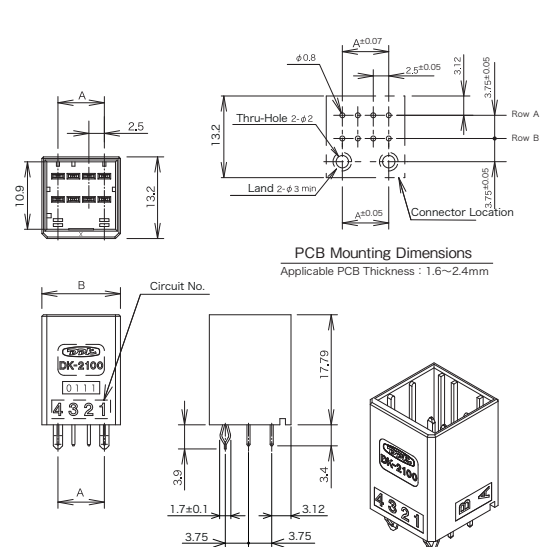
Number of Contact	Part Number	A	B
6	DK-2100D-06V □ -FA	5	10.2
8	DK-2100D-08V □ -FA	7.5	12.7
12	DK-2100D-12V □ -FA	12.5	17.7
20	DK-2100D-20V □ -FA	22.5	27.7

Keying
No Digit : X Key

Number of Contact



PCB Mounting Dimensions
Applicable PCB Thickness : 1.6~2.4mm



PCB Mounting Dimensions
Applicable PCB Thickness : 1.6~2.4mm

© Specifications and/or dimensions in this catalog are subject to change without notice.
Your checking the latest specifications with our drawings would be highly appreciated.

▶ Contact

DK-2 Contact

■ Contact

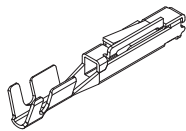
Wire Size		Insulation OD (mm)	Contact Size	Package	Part Number		Quantity
AWG	mm ²				Receptacle Contact	Tab Contact	
28	0.08	0.88~1.5	S	Reel	DK-2RECSST1-6000	DK-2TABSST1-6000	6,000
26	0.12			Bag	DK-2RECSLP1-100	DK-2TABSLP1-100	100
24	0.20						
22	0.30	1.11~2.0	M	Reel	DK-2RECMST1-6000	DK-2TABMST1-6000	6,000
20	0.50			Bag	DK-2RECMLP1-100	DK-2TABMLP1-100	100
18	0.85						

P/N DK-2RECSST □ -6000

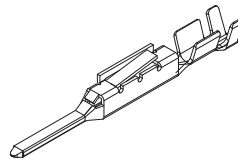
①

① Contact Plating

1 : Au(0.38 μm) min.



■ Receptacle Contact



■ Tab Contact

■ Contact Extracting Tool

P/N : 357J-23041

※ Contact extracting tool can be extract the contacts from the housing when re-termination

■ Crimping Tools

Contact Part Number	Applicable Wire Size		Insulation OD (mm)	Wire Range Mark	Tool Part Number	
	AWG	mm ²			Crimping Tool	Applicator
DK-2TABSLP1-100	24 ~ 28	0.2 ~ 0.8	0.88 ~ 1.5	S	357J-22733	
DK-2RECSLP1-100						
DK-2TABSST1-6000						AP-A22792 (Stripper/Crimper) AP-A22791 (Crimper)
DK-2RECSST1-6000						
DK-2TABMLP1-100	18 ~ 22	0.3 ~ 0.85	1.11 ~ 2.0	M	357J-22734	
DK-2RECMLP1-100						
DK-2TABMST1-6000						AP-A22790 (Stripper/Crimper) AP-A22789 (Crimper)
DK-2RECMST1-6000						