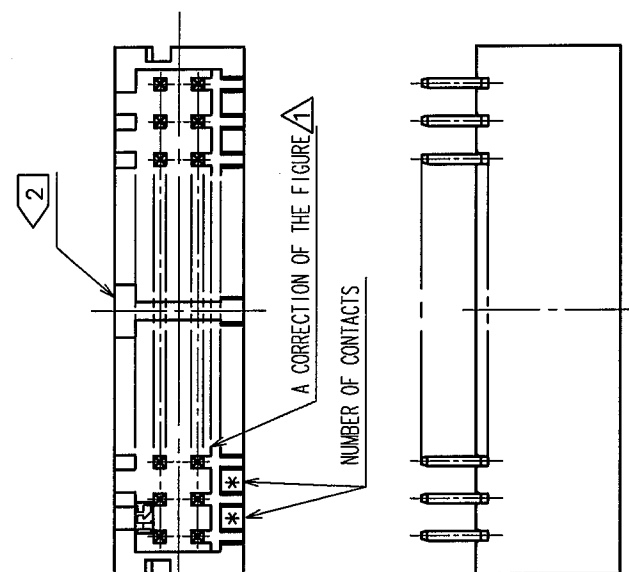
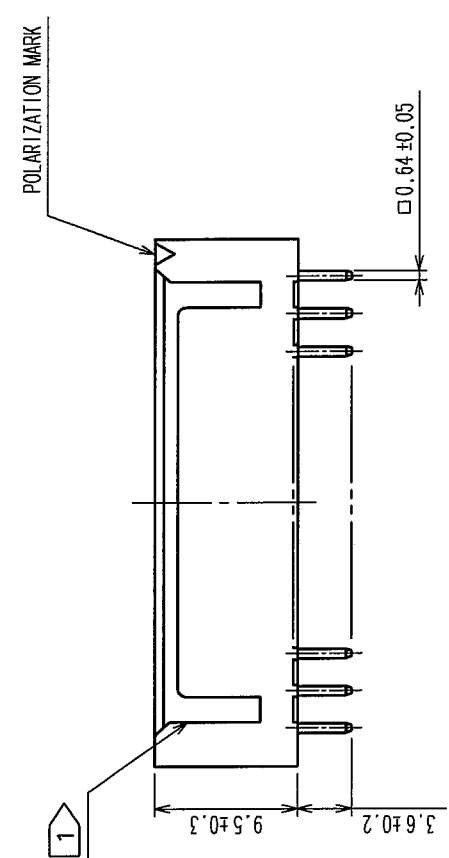
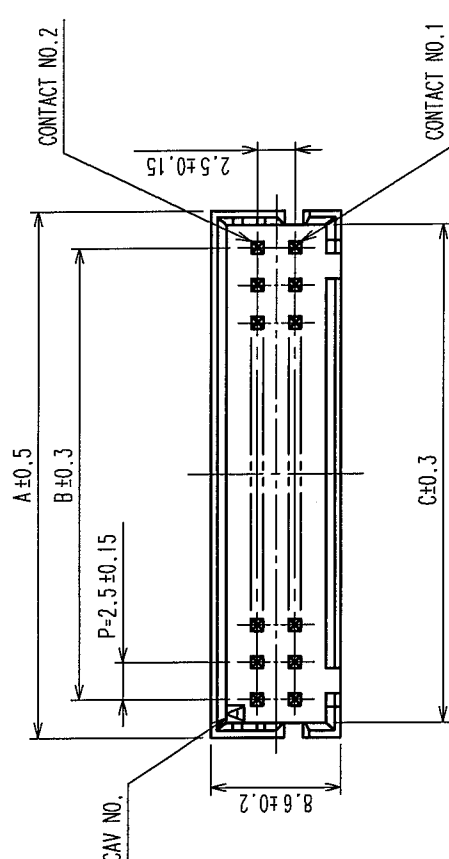


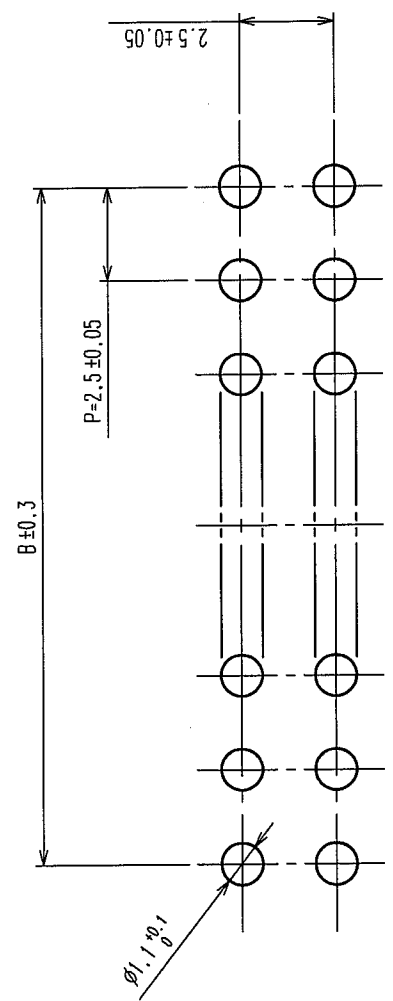
In case of consideration for using Automotive equipment / device which demand high reliability, kindly contact our sales window correspondents.

| COUNT | DESCRIPTION OF REVISIONS | BY | CHKD | DATE | COUNT | DESCRIPTION OF REVISIONS | BY | CHKD | DATE |
|-------|--------------------------|-----|------|----------|-------|--------------------------|----|------|------|
| 1 | RE-H-06215 | T.K | H.U | 04-04-23 | | | | | |



| PART NO. | CODE NO. | NUMBER OF CONTACT | A | B | C |
|-------------------|--------------|-------------------|------|------|------|
| DF1BZ-4DP-2.5DSA | CL541-2017-0 | 4 | 7.5 | 2.5 | 5.6 |
| DF1BZ-6DP-2.5DSA | CL541-2018-3 | 6 | 10.0 | 5.0 | 8.1 |
| DF1BZ-8DP-2.5DSA | CL541-2019-6 | 8 | 12.5 | 7.5 | 10.6 |
| DF1BZ-10DP-2.5DSA | CL541-2020-5 | 10 | 15.0 | 10.0 | 13.1 |
| DF1BZ-12DP-2.5DSA | CL541-2021-8 | 12 | 17.5 | 12.5 | 15.6 |
| DF1BZ-14DP-2.5DSA | CL541-2022-0 | 14 | 20.0 | 15.0 | 18.1 |
| DF1BZ-16DP-2.5DSA | CL541-2023-3 | 16 | 22.5 | 17.5 | 20.6 |
| DF1BZ-18DP-2.5DSA | CL541-2024-6 | 18 | 25.0 | 20.0 | 23.1 |
| DF1BZ-20DP-2.5DSA | CL541-2025-9 | 20 | 27.5 | 22.5 | 25.6 |
| DF1BZ-22DP-2.5DSA | CL541-2026-1 | 22 | 30.0 | 25.0 | 28.1 |
| DF1BZ-24DP-2.5DSA | CL541-2027-4 | 24 | 32.5 | 27.5 | 30.6 |
| DF1BZ-26DP-2.5DSA | CL541-2028-7 | 26 | 35.0 | 30.0 | 33.1 |
| DF1BZ-28DP-2.5DSA | CL541-2029-0 | 28 | 37.5 | 32.5 | 35.6 |
| DF1BZ-30DP-2.5DSA | CL541-2030-9 | 30 | 40.0 | 35.0 | 38.1 |
| DF1BZ-34DP-2.5DSA | CL541-2031-1 | 34 | 45.0 | 40.0 | 43.1 |
| DF1BZ-36DP-2.5DSA | CL541-2032-4 | 36 | 47.5 | 42.5 | 45.6 |
| DF1BZ-40DP-2.5DSA | CL541-2033-7 | 40 | 52.5 | 47.5 | 50.6 |

RECOMMENDED PATTERN(5:1)



NOTES 1: FOR 4 AND 6 CONTACTS, ONE MIS-INSERTION DEPRESSION SHALL BE MADE, FOR OTHERS, 2 MIS-INSERTION DEPRESSION AS PER DRAWING.
 2: STAND-OFF SHALL MOVE RIGHT FOR 1.25 WHEN ONE-SIDE, ONE-ROW IS ODD. (STAND-OFF DESIGN SHALL BE AVAILABLE FOR 8 CONTACTS AND OVER)

| NO. | MATERIAL | FINISH, REMARKS | NO. | MATERIAL | FINISH, REMARKS |
|-----|-----------|--------------------------|-----|----------|---|
| 1 | POLYAMIDE | UL94V-0, NATURAL (WHITE) | 2 | BRASS | SURFACE: TIN PLATED 1μm min UNDER PLATING: NICKEL PLATED 0.5μm min |

| CODE NO. (OLD) | DRAWN | DESIGNED | CHECKED | APPROVED | RELEASED |
|----------------|-------------------------|-------------------------|--------------------------|---------------------|----------|
| | F. Matsuki '04.03.25 | H. Umehara '04.03.25 | T. Miyazaki '04.03.25 | T. Oma '04.03.25 | |

| DRAWING NO. | PART NO. |
|----------------|------------------|
| EDC3-303247-02 | DF1BZ-*DP-2.5DSA |

| SCALE | UNITS | ITEM |
|-------|-------|------|
| 2 : 1 | mm | |

| HIROSE ELECTRIC CO., LTD | CODE NO. |
|--------------------------|----------|
| CL541- | 1 |