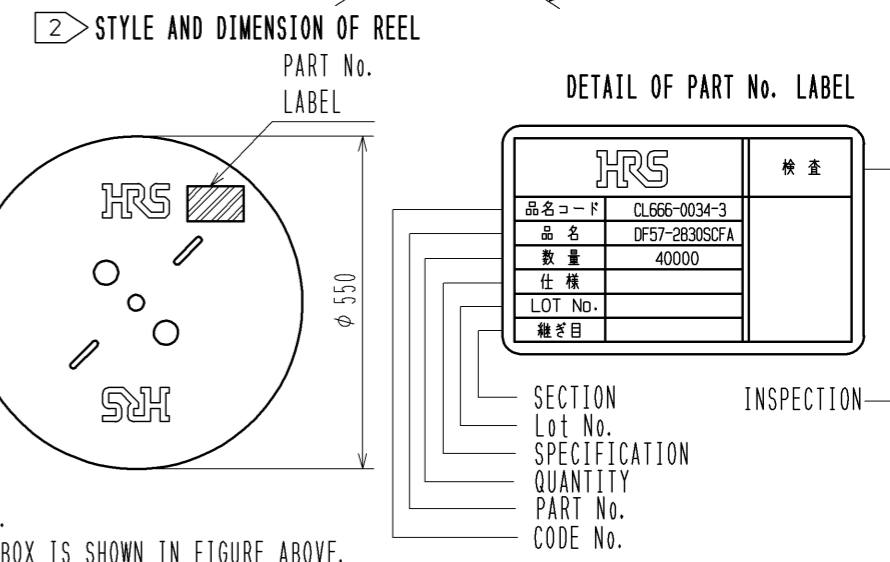
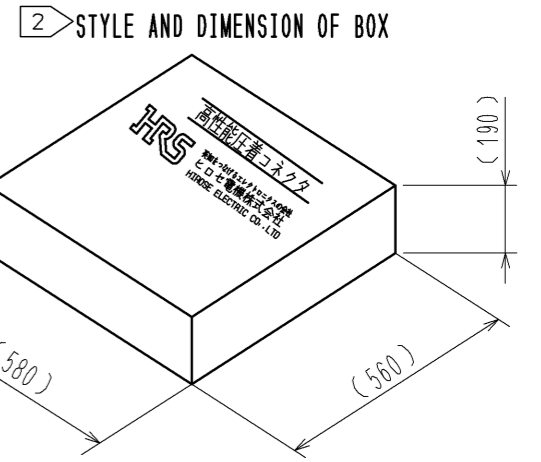
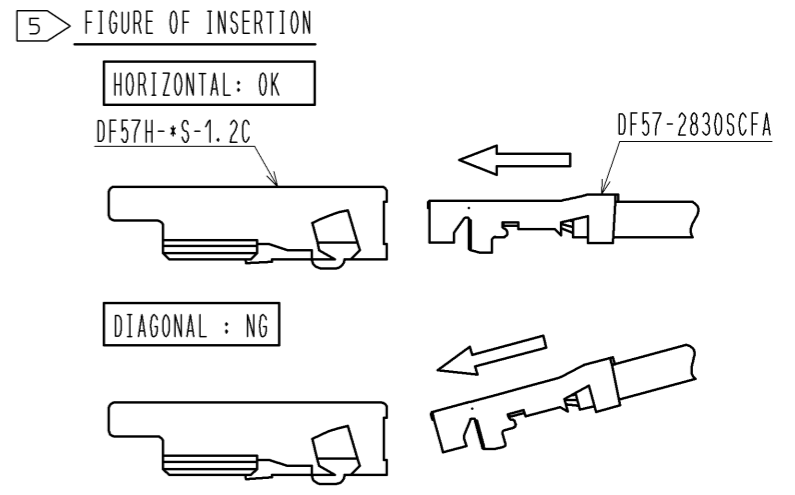
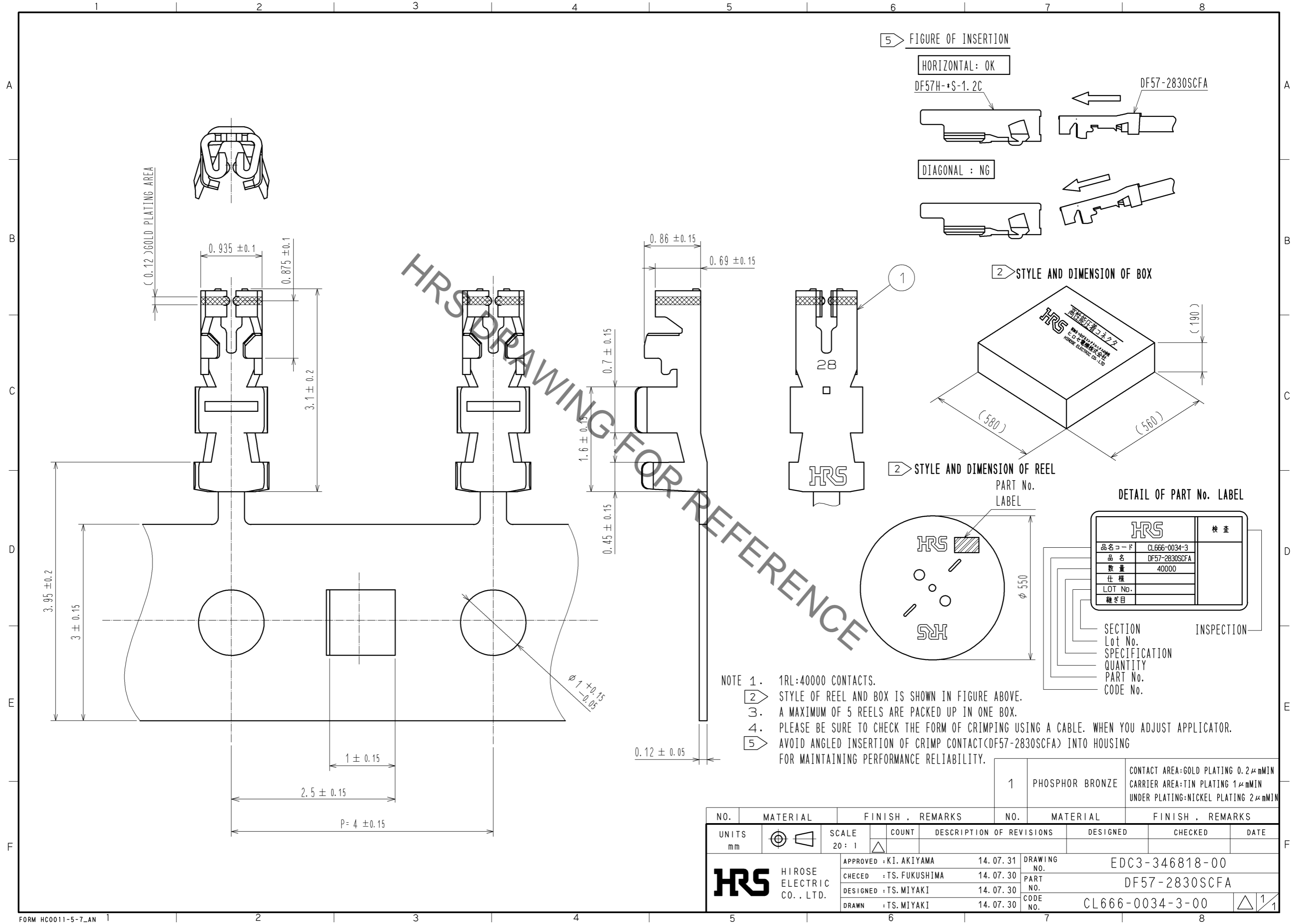


Aug.1.2019 Copyright 2019 HIROSE ELECTRIC CO., LTD. All Rights Reserved.
In case of consideration for using Automotive equipment / device which demand high reliability, kindly contact our sales window correspondents.



- NOTE 1. 1RL:40000 CONTACTS.
 2. STYLE OF REEL AND BOX IS SHOWN IN FIGURE ABOVE.
 3. A MAXIMUM OF 5 REELS ARE PACKED UP IN ONE BOX.
 4. PLEASE BE SURE TO CHECK THE FORM OF CRIMPING USING A CABLE. WHEN YOU ADJUST APPLICATOR.
 5. AVOID ANGLED INSERTION OF CRIMP CONTACT(DF57-2830SCFA) INTO HOUSING FOR MAINTAINING PERFORMANCE RELIABILITY.

NO.	MATERIAL	FINISH . REMARKS	NO.	MATERIAL	FINISH . REMARKS
1	PHOSPHOR BRONZE	CONTACT AREA:GOLD PLATING 0.2μmMIN CARRIER AREA:TIN PLATING 1μmMIN UNDER PLATING:NICKEL PLATING 2μmMIN			

UNITS mm	SCALE 20:1	COUNT △	DESCRIPTION OF REVISIONS	DESIGNED	CHECKED	DATE
HRS	HIROSE ELECTRIC CO., LTD.	APPROVED : KI. AKIYAMA 14. 07. 31	DRAWING NO. EDC3-346818-00			
		CHECED : TS. FUKUSHIMA 14. 07. 30	PART NO. DF57-2830SCFA			
		DESIGNED : TS. MIYAKI 14. 07. 30	CODE NO. CL666-0034-3-00			
		DRAWN : TS. MIYAKI 14. 07. 30				