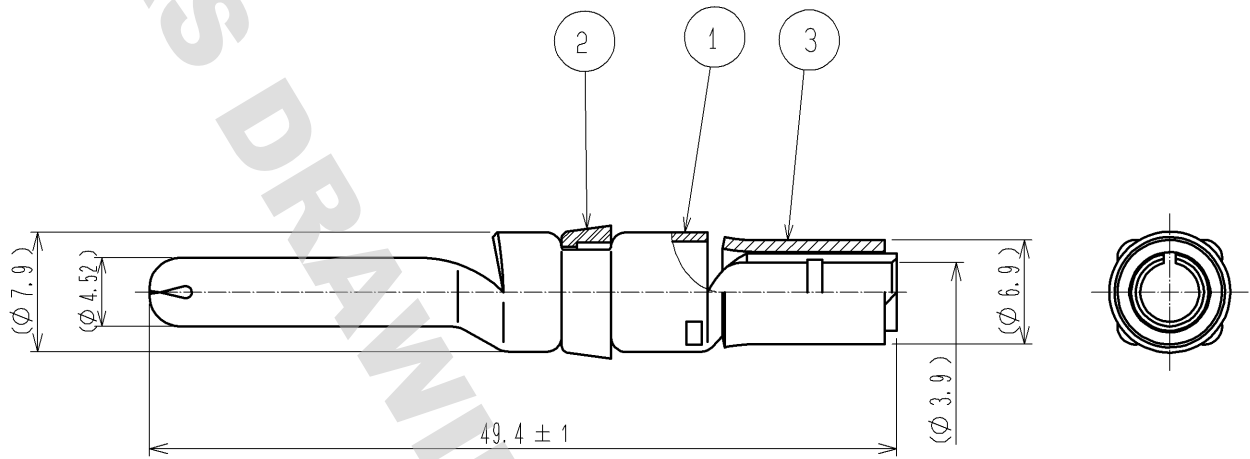


DRAWING FOR REFERENCE: This is subject to change without notice
08/11/2012



- NOTES
- 1 APPLICABLE CRIMPING TOOL : JIS C 9711(COMPRESSION TOOLS FOR WIRE CONNECTORS OF INTERIOR WIRING) OR EQUIVALENT CRIMPING TOOL.
 - 2 APPLICABLE EXTRACTION TOOL : EM-8-TPCCL150-0249-3)
 - 3 ONE BAG INCLUDES 4PCS OF PRODUCTS.
 - 4 THE WIRING OF THIS PRODUCT SHALL CONFORM TO ATAD-C0155.
 - 5 REFER TO ASSEMBLY PROCEDURE AND HANDLING MANUAL (ATAD-C0222) FOR THE ASSEMBLY OF THIS PRODUCT.

2	PBT	UL94V-0 (WHITE)						
1	COPPER ALLOY	OVER PLATING: TIN 1μm min. UNDER PLATING: NICKEL 1μm min.	3	JIS C 2806	NON-INSULATED CRIMP-TYPE SLEEVES FOR COPPER CONDUCTORS OPEN END CONNECTORS E-M			
NO.	MATERIAL	FINISH , REMARKS	NO.	MATERIAL	FINISH , REMARKS			
UNITS mm		SCALE 2 : 1	COUNT 	DESCRIPTION OF REVISIONS		DESIGNED	CHECKED	DATE
HRS HIROSE ELECTRIC CO., LTD.	APPROVED : SU. OBARA	11. 04. 01	DRAWING NO.		EDC4-115602-00			
	CHECKED : HY. KOBAYASHI	11. 04. 01	PART NO.		EM-PC-113			
	DESIGNED : HN. TANAKA	11. 04. 01	CODE NO.		CL138-0011-8-00			
	DRAWN : YS. SAKODA	11. 03. 31			1/1			