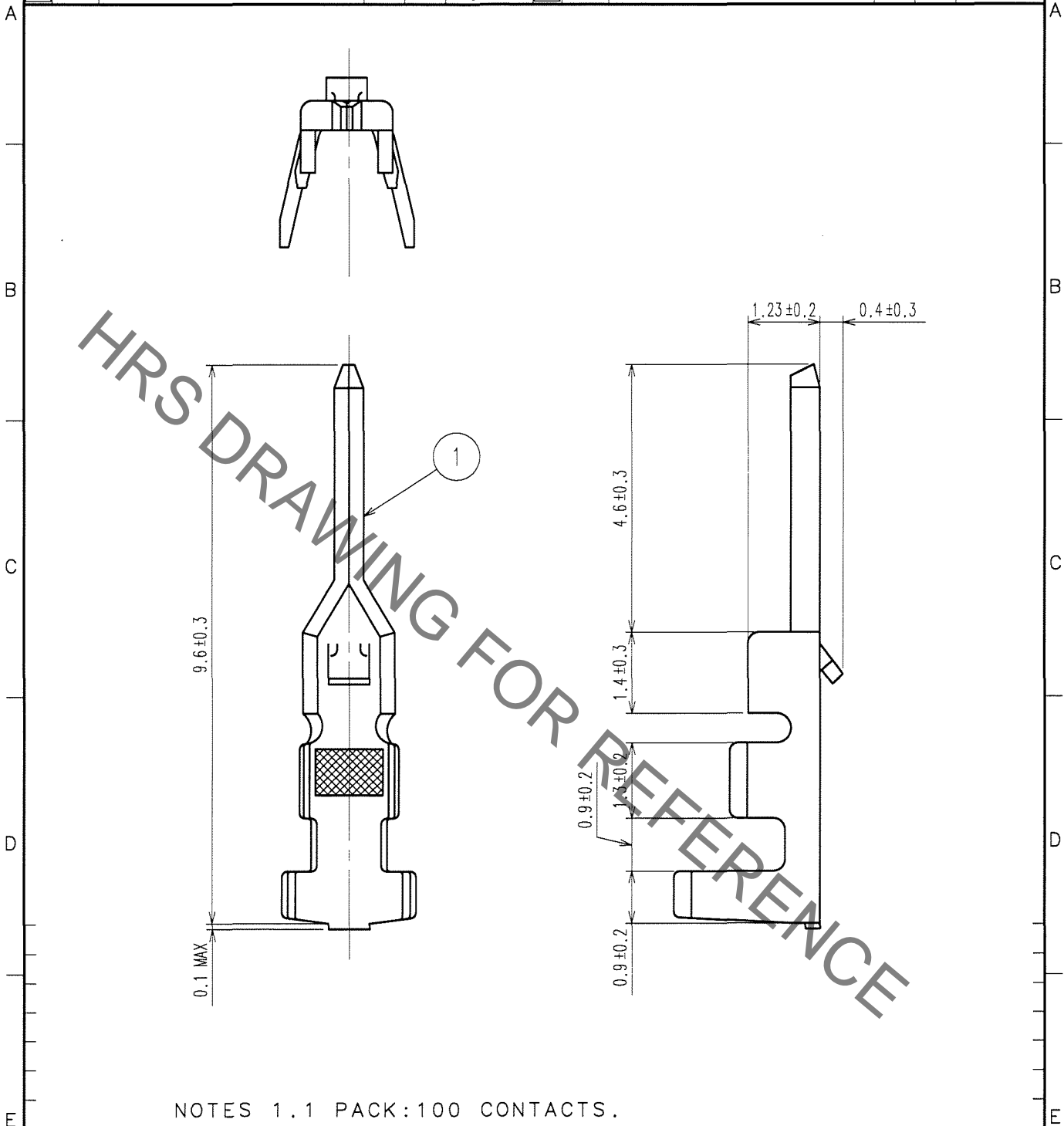


Oct.1.2019 Copyright 2019 HIROSE ELECTRIC CO., LTD. All Rights Reserved.
 In case of consideration for using Automotive equipment / device which demand high reliability, kindly contact our sales window correspondents.

1			2			3			4					
COUNT	DESCRIPTION OF REVISIONS	BY	CHKD	DATE	COUNT	DESCRIPTION OF REVISIONS	BY	CHKD	DATE	COUNT	DESCRIPTION OF REVISIONS	BY	CHKD	DATE
△					△					△				
△					△					△				
△					△					△				



NOTES 1.1 PACK:100 CONTACTS.

NO.			1			PHOSPHOR BRONZE			TIN PLATED:1μm min		
MATERIAL			FINISH, REMARKS			MATERIAL			FINISH, REMARKS		

CODE NO. (OLD)				DRAWN	DESIGNED	CHECKED	APPROVED	RELEASED
				T.OHSAKO	T.OHSAKO	<i>H. Uehara</i>	<i>J. Oma</i>	
				06.12.08	06.12.08	06.12.11	06.12.11	

TO

 SCALE 10 : 1 UNITS mm	DRAWING NO. EDC4-020375-01	PART NO. DF3-EP2428PC
	 HIROSE ELECTRIC CO.,LTD.	CODE NO. CL543-0063-0