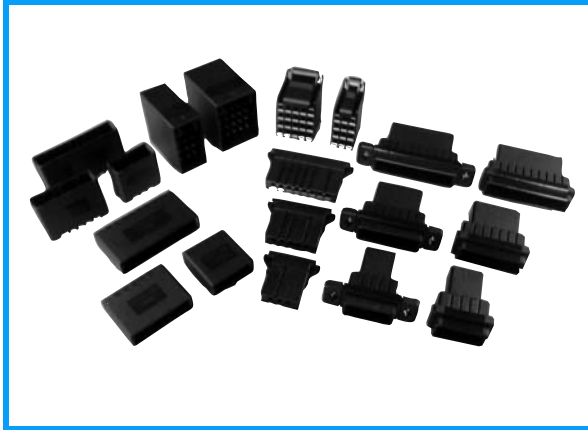


## Industrial Usage Rectangular Connector



### FEATURE

- Mating:  
DK series can confirm mating with the locking sound.
- Cable termination:  
Wires can be easily terminated to the connector due to the crimp contact.
- Standard:  
This connector uses UL94V-0 for the housing.

## APPLICATION

DDK's DK SERIES connector is developed for the signal and the power supply of industrial equipment.

The connectors are available for connection of cable and cable, connection of cable and substrate. Various styles are available for various application.

The method of termination wires is crimping (substrate installation is solder dip), and wires can be easily terminated.

## SPECIFICATION

Ratings current	15A / contact
Ratings voltage	AC250V
Withstand resistance	DC500V 1000M $\Omega$ Min.
Range of use temperature	-55°C ~ +105°C

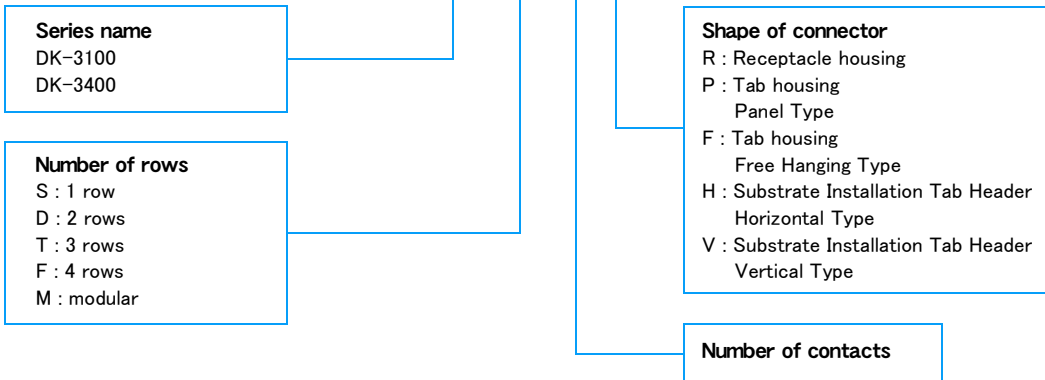
## MATERIAL/FINISH

Contact	Copper alloy / gold plating over nickel plating and solder plating over nickel plating (substrate installation type)
Housing	PBT resin (UL94V-0) / black

## STANDARD

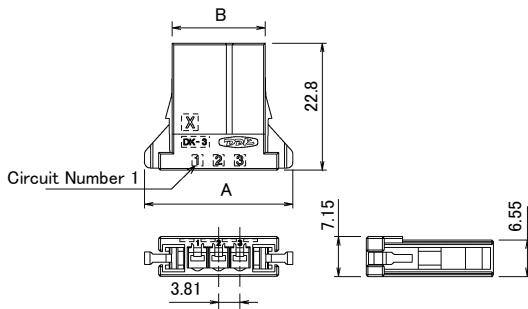
Applying for UL, C-UL, TUV

## DK-3100S-03R



Unit : mm

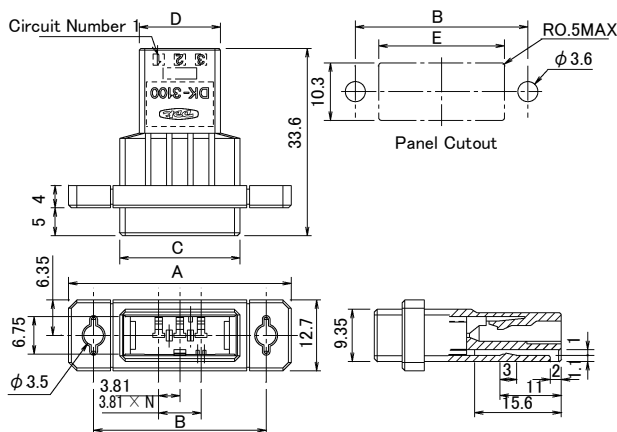
### ■ Receptacle Housing For DK-3100S



Number of contacts	Parts Number	A	B
3	DK-3100S-03R	26.76	16.70
5	DK-3100S-05R	34.38	24.32
8	DK-3100S-08R	45.81	35.75

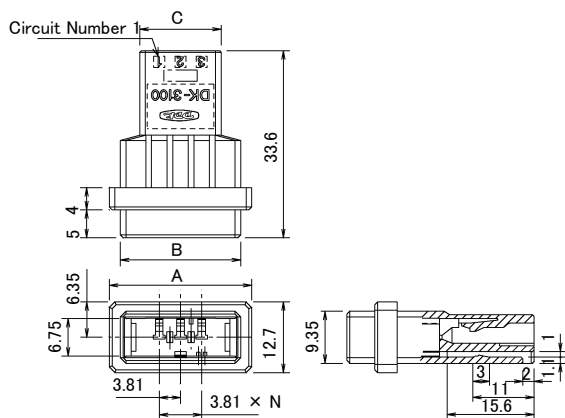
## ■ Tab Housing For DK-3100S

### Panel Type



Number of contacts	Parts Number	A	B	C	D	E
3	DK-3100S-03P	40	31	21.62	14.62	22.6
5	DK-3100S-05P	47	38	29.24	22.24	30.2
8	DK-3100S-08P	59	50	40.67	33.67	41.6

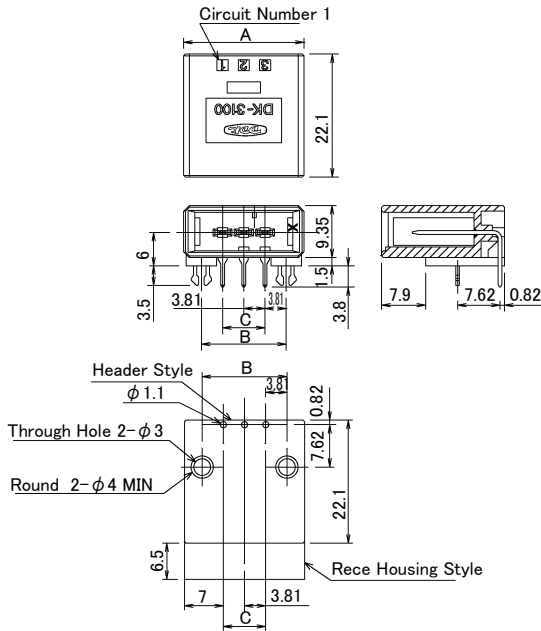
### Free Hanging Type



Number of contacts	Parts Number	A	B	C
3	DK-3100S-03F	25.57	21.62	14.62
5	DK-3100S-05F	33.19	29.24	22.24
8	DK-3100S-08F	44.62	40.67	33.67

**Substrate Installation Tab Header For DK-3100S**

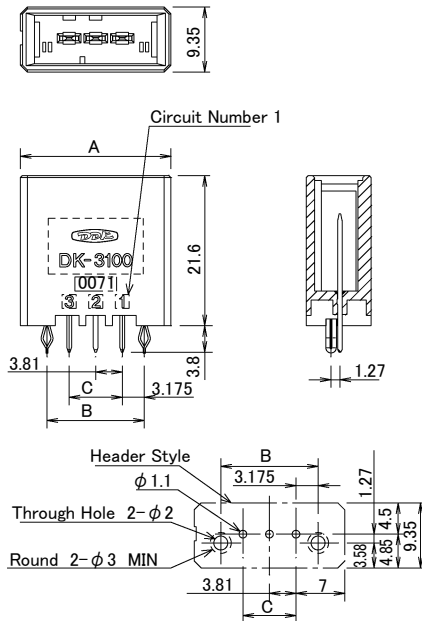
**Horizontal Type**



Number of contacts	Parts Number	A	B	C
3	DK-3100S-03H	21.62	15.24	7.62
5	DK-3100S-05H	29.24	22.86	15.24
8	DK-3100S-08H	40.67	34.29	26.67

Substrate Cutout  
Substrate Thickness: 1.6~2.4mm

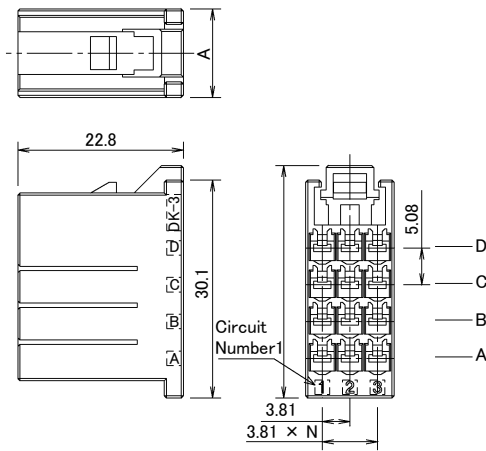
**Vertical Type**



Number of contacts	Parts Number	A	B	C
3	DK-3100S-03V	21.62	13.97	7.62
5	DK-3100S-05V	29.24	21.59	15.24
8	DK-3100S-08V	40.67	33.02	26.67

Substrate Cutout  
Substrate Thickness: 1.6~2.4mm

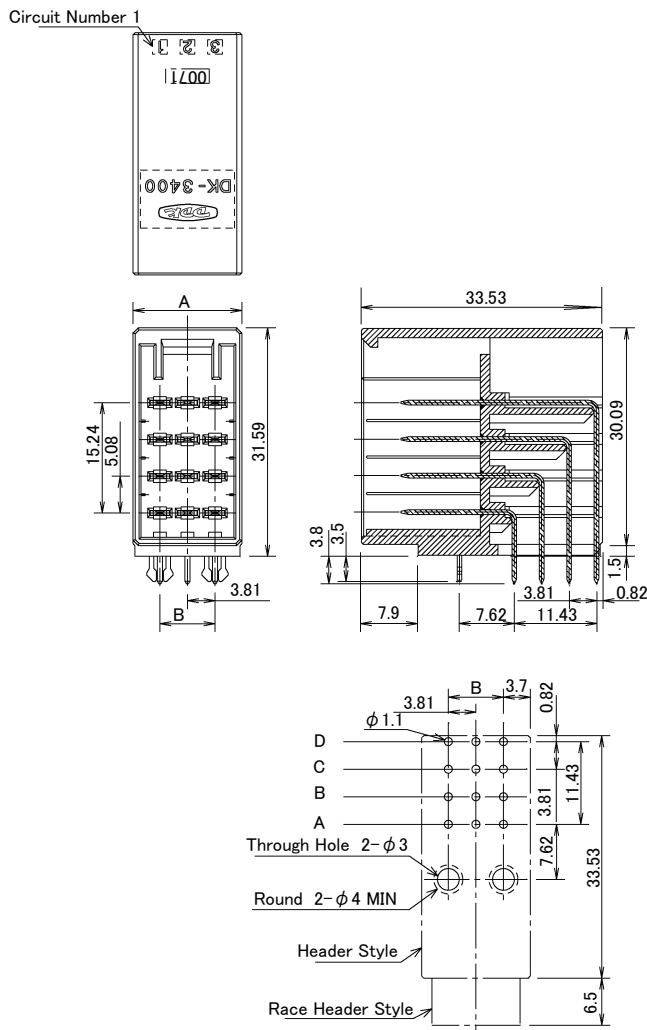
## Receptacle Housing For DK-3400F



Number of contacts	Parts Number	A
12	DK-3400F-12R	12.22
20	DK-3400F-20R	19.84

## Substrate Installation For DK-3400F

### Horizontal Type



Number of contacts	Parts Number	A	B
12	DK-3400F-12H	15.02	7.62
20	DK-3400F-20H	22.64	15.24

Substrate Cutout  
Substrate Thickness: 1.6~2.4mm

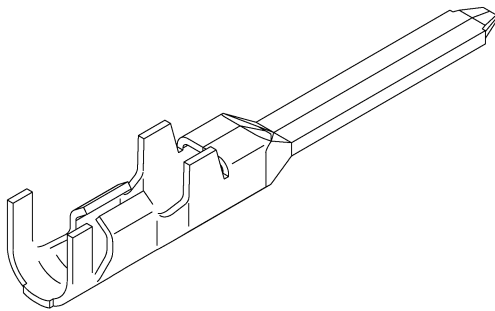
## DK-3 CONTACT

Range of application wire		Outside diameter of insulation coating	Contact size	Contact name		
AWG	mm <sup>2</sup>				Receptacle contact	Tab contact
20	0.50	1.8~2.8	L	Reel contact	DK-3RECLST1	DK-3TABLST1
18	0.85			Loose contact	DK-3RECLLP1	DK-3TABLLP1
16	1.25	2.2~2.8	2L	Reel contact	DK-3REC2LST1	DK-3TAB2LST1
14	2.20	Loose contact		DK-3REC2LLP1	DK-3TAB2LLP1	

※ Plating specification : (Au0.38 μmMin)

※ Number of contact in reel : 3000/1reel

Tab contact



Receptacle contact

