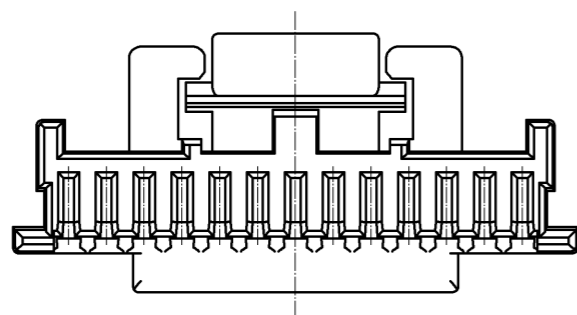
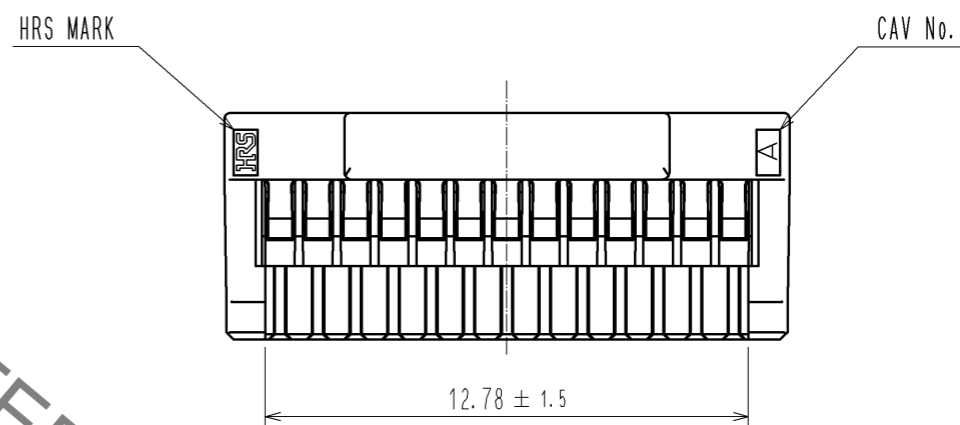
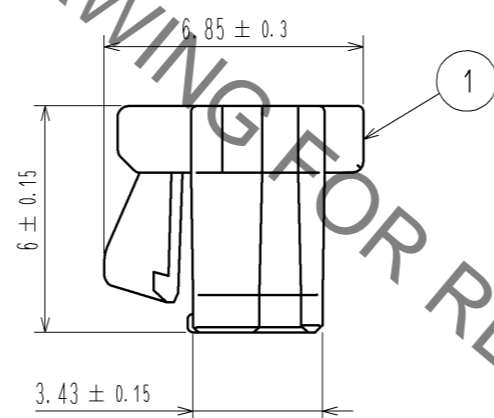
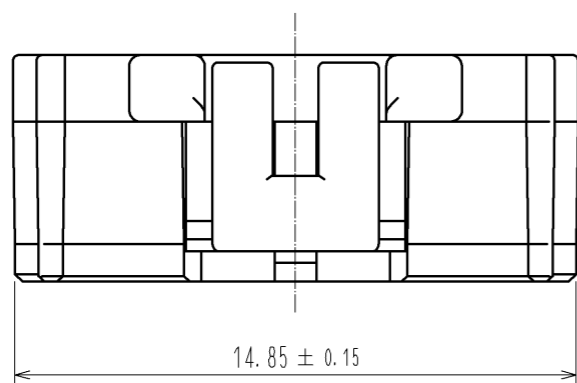
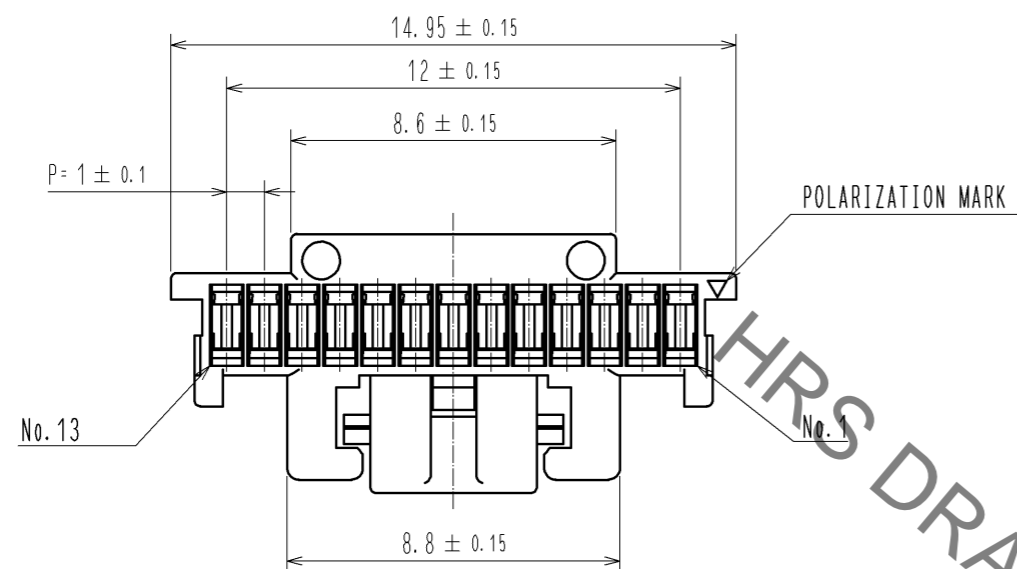


Jul.1.2019 Copyright 2019 HIROSE ELECTRIC CO., LTD. All Rights Reserved.
 In case of consideration for using Automotive equipment / device which demand high reliability, kindly contact our sales window correspondents.



HRS DRAWING FOR REFERENCE

NOTE1. PER PACK:100 PIECES

NO.		MATERIAL		FINISH . REMARKS		1		PBT		UL94V-0. BLACK			
UNITS		SCALE		COUNT		DESCRIPTION OF REVISIONS		DESIGNED		CHECKED		DATE	
mm		5 : 1		△									
HIROSE ELECTRIC CO., LTD.		APPROVED : KI. AKIYAMA		13.07.12		DRAWING NO.		EDC3-329678-01					
		CHECKED : HK. UMEHARA		13.07.12		PART NO.		DF50A-13S-1C					
		DESIGNED : ST. SATO		13.07.12		CODE NO.		CL665-1024-9-00					
		DRAWN : ST. SATO		13.07.12									
												△ 1/1	