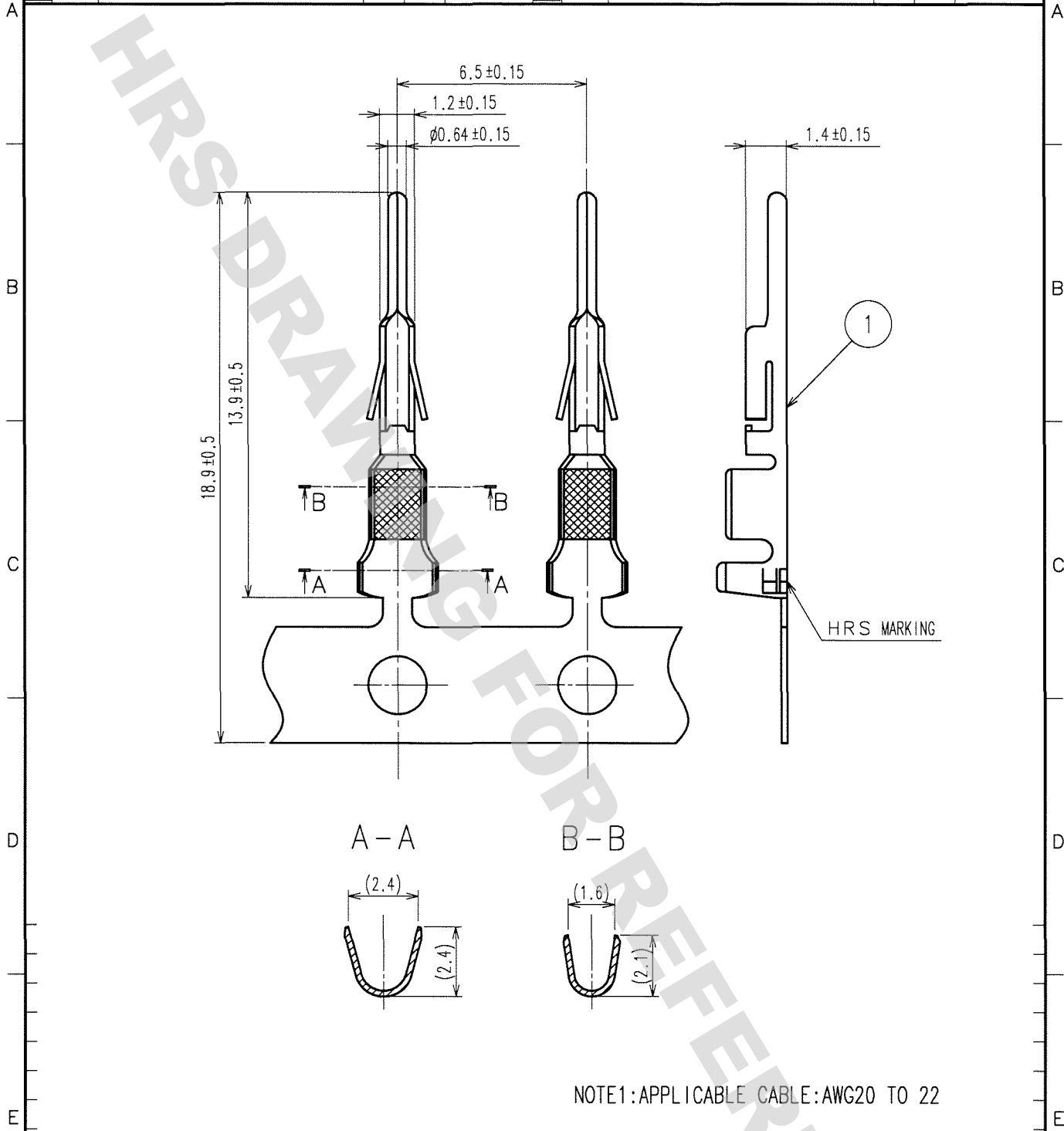


DRAWING FOR REFERENCE: This is subject to change without notice  
08/11/2012

1			2			3			4					
COUNT	DESCRIPTION OF REVISIONS	BY	CHKD	DATE	COUNT	DESCRIPTION OF REVISIONS	BY	CHKD	DATE	COUNT	DESCRIPTION OF REVISIONS	BY	CHKD	DATE
△				..	△				..	△				..
△				..	△				..	△				..
△				..	△				..	△				..



NOTE1: APPLICABLE CABLE: AWG20 TO 22

NO.	MATERIAL	FINISH, REMARKS	NO.	MATERIAL	FINISH, REMARKS
1	PHOSPHOR BRONZE	TIN PLATED $1\mu$ m min			

CODE NO. (OLD)	DRAWN	DESIGNED	CHECKED	APPROVED	RELEASED
	A.Miura	N. Hirose	T. Uehara	T. Ona	
	'06.04.11	06.04.13	06.04.13	06.04.18	

DRAWING NO.	PART NO.
EDC4-020431-01	DF1B-2022PCF

UNITS	SCALE	HRS	HIROSE ELECTRIC CO., LTD.	CODE NO.	1/1
mm	5 : 1			CL541-0259-9	

TO

