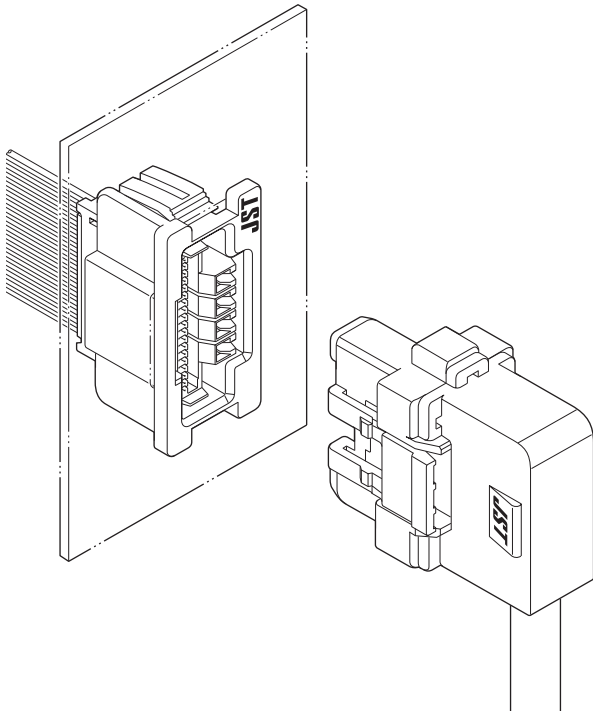




OTZ CONNECTOR

Disconnectable Crimp style Wire-to-wire connectors



Hybrid type I/O connector with combined signal and power supply circuits.

- **Curtailed of number of component**
- **Space saving**
- **Lever lock function**

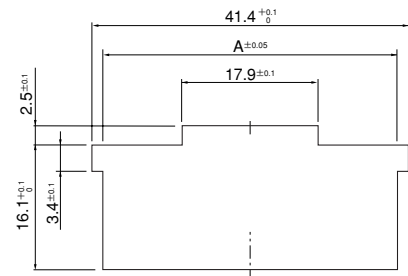
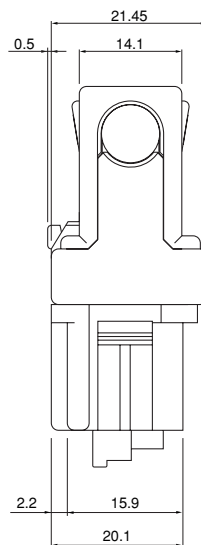
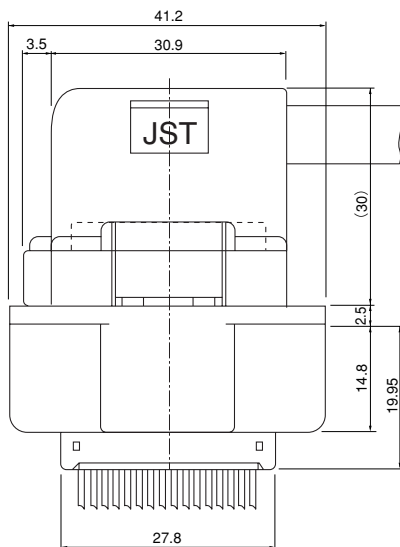
Specifications

- Current rating: Signal circuit 1.0A AC, DC (AWG #26)
Power supply circuit 5A AC, DC (AWG #20)
- Voltage rating: Signal circuit 50V AC, DC
Power supply circuit 300V AC, DC
- Temperature range: -25°C to +85°C
(including temperature rise in applying electrical current)
- Applicable wire: Signal circuit AWG #28 to #26
Power supply circuit AWG #26 to #20
- Number of circuits: Signal circuit 16 circuits
Power supply circuit 4 circuits
- * Compliant with RoHS.
- * Refer to "General Instruction and Notice when using Terminals and Connectors" at the end of this catalog.
- * Contact JST for details.

Standards

⚡ Recognized E60389

Ⓢ Certified LR20812

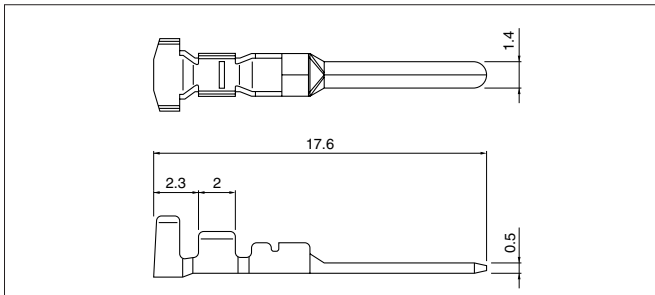


Panel thickness	t 1.2	t 1.6	t 2.0
A dimension	38.4	38.6	

- Note: 1. Punch holes in the panel according to the figures shown above. Burrs must be removed.
2. The strength of the panel must be considered when punching two or more holes.
3. The connector must be inserted from the same side as the hole is punched.

OTZ CONNECTOR

Plug contact for power supply circuit



Model No.	Applicable wire		Insulation O.D. (mm)	Q'ty / reel
	mm ²	AWG #		
SSM-01GD-P1.4	0.13~0.5	26~20	1.3~2.5	6,000

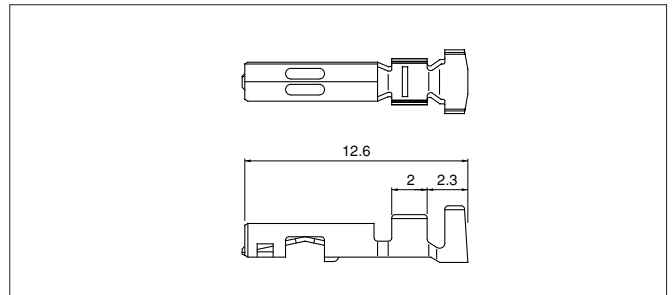
Material and Finish

Copper alloy, nickel-undercoated, Mating part; gold-plated
Crimping part; tin-plated (reflow treatment)

RoHS compliance This product displays (LF)(SN) on a label.

Contact	Crimping machine	Applicator		
		Crimp applicator	Dies	Crimp applicator with dies
SSM-01GD-P1.4	AP-K2N	MKS-L	MK/SSF/M-01-14	APLMK SSF/M01-14
		—	—	—

Receptacle contact for power supply circuit



Model No.	Applicable wire		Insulation O.D. (mm)	Q'ty / reel
	mm ²	AWG #		
SSF-01GW-P1.4	0.13~0.5	26~20	1.3~2.5	6,000

Material and Finish

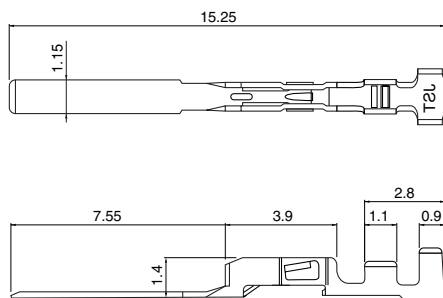
Copper alloy, nickel-undercoated, overall gold-plated

RoHS compliance

Contact	Crimping machine	Applicator		
		Crimp applicator	Dies	Crimp applicator with dies
SSF-01GW-P1.4	AP-K2N	MKS-L	MK/SSF/M-01-14	APLMK SSF/M01-14
		—	—	—

Plug

Plug contact for signal



Model No.	Applicable wire		Insulation O.D. (mm)	Q'ty / reel
	mm ²	AWG #		
SOTZP-002GG-P0.18	0.08~0.13	28 · 26	0.7~0.93	13,000

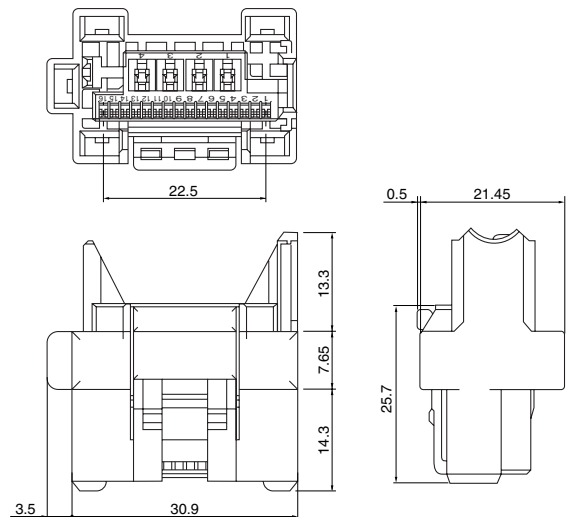
Material and Finish

Copper alloy, nickel-undercoated, Mating part; gold-plated
Crimping part; tin-plated (reflow treatment)

RoHS compliance This product displays (LF)(SN) on a label.

Contact	Crimping machine	Applicator		
		Crimp applicator	Dies	Crimp applicator with dies
SOTZP-002GG-P0.18	AP-K2N	MKS-L	MK/SOTZP-002-018	APLMK SOTZP002-018
		—	—	—

Signal 16 circuits / power 4 circuits



Model No.	Q'ty / box
OTZP-16-H-P4	100

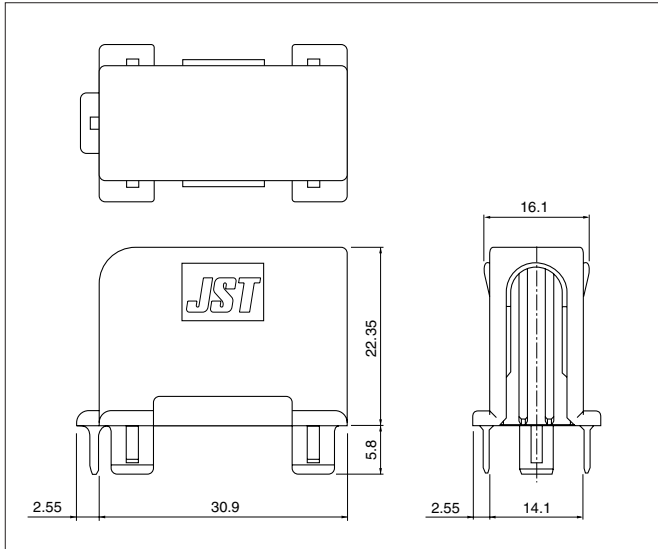
Material

PBT, UL94V-0, gray

RoHS compliance

OTZ CONNECTOR

Plug cover

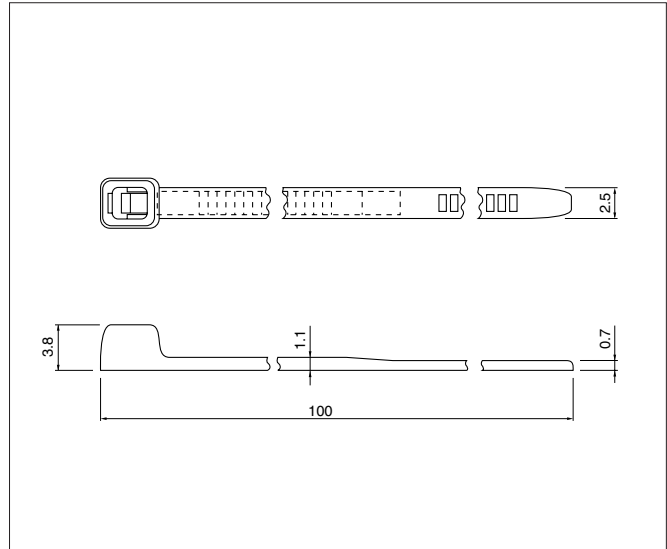


Model No.	Q'ty / box
OTZC-16-H-P4	200
Material	

PBT, UL94V-0, gray

RoHS compliance

Tie lock



Model No.	Q'ty / box
KB-100-1	1,000
Material	

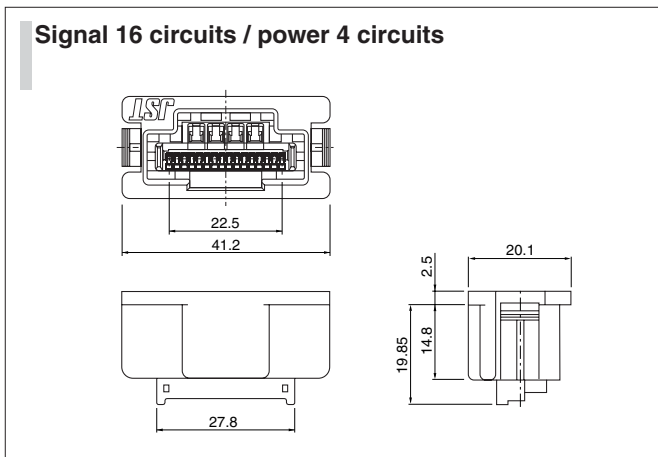
PA 66, natural

RoHS compliance

Note: Not CSA approved.

Receptacle

Signal 16 circuits / power 4 circuits

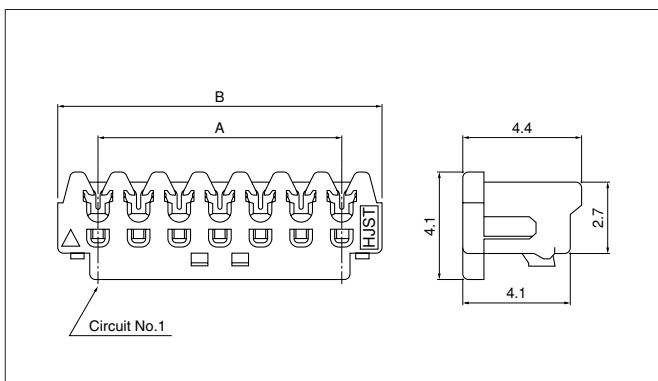


Model No.	Q'ty / box
16R-OTZ-H4GG-P4RL	40
Material and Finish	

Housing: PBT, UL94V-0, gray
Contact: Copper alloy, nickel-undercoated, selective gold-plated, tin-plated (reflow treatment)

RoHS compliance This product displays (LF)(SN) on a label.

CZ connector socket



Circuits	Model No.		Dimensions (mm)		Q'ty / box
	Gray	Yellow	A	B	
16	16CZ-6H	16CZ-6Y	22.5	25.5	1,000

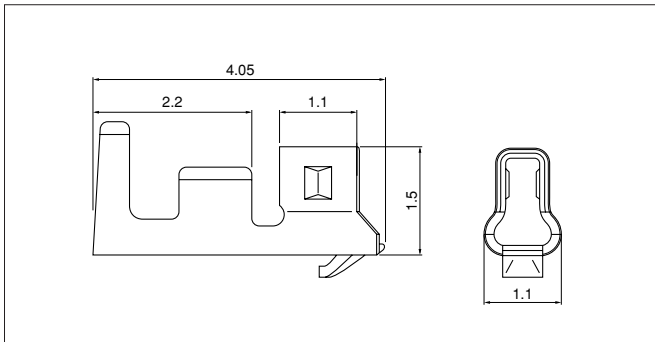
Material and Finish

Contact: Copper alloy, tin-plated (reflow treatment)
Housing: Glass-filled PA 66, UL94V-0

RoHS compliance

OTZ CONNECTOR

CZH connector contact



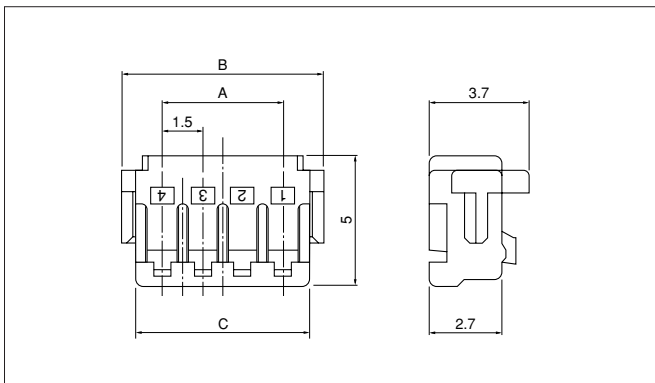
Model No.	Applicable wire		Insulation O.D. (mm)	Q'ty / reel
	mm ²	AWG #		
SCZH-002T-P0.5	0.08~0.13	28~26	0.8~1.1	13,000

Material and Finish

Copper alloy, tin-plated (reflow treatment)

RoHS compliance

CZH connector housing



Circuits	Model No.	Dimensions (mm)			Q'ty / box
		A	B	C	
16	CZHR-16V-S	22.5	25.5	24.5	1,000

Material

PBT, UL94V-0, natural (white)

RoHS compliance