

DRC16-70SAE-P013 ✓ ACTIVE

DEUTSCH | DEUTSCH DRC

TE Internal #: DRC16-70SAE-P013

Housing for Female Terminals, Wire-to-Wire, 70 Position, .216 in [5.49 mm] Centerline, Sealable, Black, Wire & Cable, Power & Signal, DEUTSCH DRC

[View on TE.com >](#)



Connectors > Automotive Connectors > Connector Housings > DEUTSCH DRC HOUSINGS



Connector & Housing Type: **Housing for Female Terminals**

Mating Pin Diameter: **1.59 mm [.063 in]**

Connector System: **Wire-to-Wire**

Number of Positions: **70**

Centerline (Pitch): **5.49 mm [.216 in]**

[All DEUTSCH DRC HOUSINGS \(112\)](#)

Features

Product Type Features

| | |
|-----------------------------------|------------------------------|
| Connector & Housing Shape | Rectangular |
| Connector & Housing Type | Housing for Female Terminals |
| Connector System | Wire-to-Wire |
| Sealable | Yes |
| Hybrid Connector | No |
| Primary Locking Feature | Contact Retainer |
| Connector & Contact Terminates To | Wire & Cable |

Configuration Features

| | |
|------------------------|-------------------|
| Blank Cavity Position | 0 |
| Connector Modification | Bonded Front Seal |
| Connector Seal Code | E Seal |
| Number of Positions | 70 |
| Number of Rows | 5 |

Electrical Characteristics

| | |
|------------------------------|------------------|
| Operating Voltage | 250 VAC |
| Nominal Voltage Architecture | 12 V, 24 V, 48 V |

Body Features



| | |
|-----------------------|--------|
| Cable Exit Angle | 180° |
| Body Material | PPS GF |
| Primary Product Color | Black |
| Connector Code | A |

Contact Features

| | |
|------------------------------|------------------|
| Contact Size | Size 16 |
| Contact Type | Socket |
| Mating Pin Diameter | 1.59 mm[.063 in] |
| Contact Current Rating (Max) | 13 A |

Mechanical Attachment

| | |
|-----------------------------|----------------------------|
| Mounting Feature | Without |
| Terminal Position Assurance | No |
| Strain Relief | Add By Accessory |
| Mating Alignment Type | Keyed |
| Mating Alignment | With |
| Connector Mounting Type | Cable Mount (Free-Hanging) |

Housing Features

| | |
|--------------------|------------------|
| Centerline (Pitch) | 5.49 mm[.216 in] |
|--------------------|------------------|

Dimensions

| | |
|--------------------|---------------------|
| Product Width | 103.99 mm[4.094 in] |
| Product Length | 41.73 mm[1.643 in] |
| Product Height | 36.06 mm[1.421 in] |
| Row-to-Row Spacing | 5.49 mm[.216 in] |

Usage Conditions

| | |
|-----------------------------|----------------------------|
| Operating Temperature (Max) | 125 °C[257 °F] |
| Operating Temperature Range | -55 – 125 °C[-67 – 257 °F] |

Operation/Application

| | |
|---------------------|----------------|
| Circuit Application | Power & Signal |
|---------------------|----------------|

Industry Standards

| | |
|------------------------|------------------------------------|
| Agency/Standard | SAE J2030 |
| Degree of Protection | IP68, IP6K9K |
| UL Flammability Rating | 20mm Flame Test per Standard UL-94 |



Packaging Features

| | |
|--------------------|-----|
| Packaging Quantity | 50 |
| Packaging Method | Box |

Other

| | |
|--------------------------------------|-----|
| Serviceable | Yes |
| Connector Position Assurance Capable | No |

Product Compliance

[For compliance documentation, visit the product page on TE.com>](#)

| | |
|---|---|
| EU RoHS Directive 2011/65/EU | Compliant |
| EU ELV Directive 2000/53/EC | Compliant |
| China RoHS 2 Directive MIIT Order No 32, 2016 | No Restricted Materials Above Threshold |
| EU REACH Regulation (EC) No. 1907/2006 | Current ECHA Candidate List: JUNE 2022 (224) Candidate List Declared Against: JUNE 2022 (224) Does not contain REACH SVHC |
| Halogen Content | Not Low Halogen - contains Br or Cl > 900 ppm. |
| Solder Process Capability | Not reviewed for solder process capability |

Product Compliance Disclaimer

This information is provided based on reasonable inquiry of our suppliers and represents our current actual knowledge based on the information they provided. This information is subject to change. The part numbers that TE has identified as EU RoHS compliant have a maximum concentration of 0.1% by weight in homogenous materials for lead, hexavalent chromium, mercury, PBB, PBDE, DBP, BBP, DEHP, DIBP, and 0.01% for cadmium, or qualify for an exemption to these limits as defined in the Annexes of Directive 2011/65/EU (RoHS2). Finished electrical and electronic equipment products will be CE marked as required by Directive 2011/65/EU. Components may not be CE marked. Additionally, the part numbers that TE has identified as EU ELV compliant have a maximum concentration of 0.1% by weight in homogenous materials for lead, hexavalent chromium, and mercury, and 0.01% for cadmium, or qualify for an exemption to these limits as defined in the Annexes of Directive 2000/53/EC (ELV). Regarding the REACH Regulation, the information TE provides on SVHC in articles for this part number is based on the latest European Chemicals Agency (ECHA) 'Guidance on requirements for substances in articles' posted at this URL: <https://echa.europa.eu/guidance-documents/guidance-on-reach>

Compatible Parts




TE Part # CAT-D48-SP729
DEUTSCH SEALING PLUGS



TE Part # 0411-291-1405
EXT TOOL, SIZE 16, 14-16 AWG, N, GRN




TE Part # 0411-204-1605
EXT TOOL, SIZE 16, 16-18 AWG, N, DRK BLU



TE Part # 0411-310-1605
EXT TOOL, SIZE 16, 16-18 AWG, T, LT BLU



TE Part # 0411-354-1605
EXT TOOL, SIZE 16, 16-18 AWG, N, BRN



TE Part # CAT-D799-H342
DEUTSCH DRC HEADERS



TE Part # CAT-D799-CH8172
DEUTSCH DRC HOUSINGS



TE Part # CAT-D48-SFT273
DEUTSCH STAMPED & FORMED CONTACTS



TE Part # CAT-D48-ST273
DEUTSCH SOLID CONTACTS



TE Part # CAT-D799-B128
DEUTSCH DRC BACKSHELLS



TE Part # DRC70-BT
BOOT, 70P, 16SZ, PLG/REC, ST, BLK




TE Part # 0411-336-1605
EXT TOOL, SIZE 16, 16-20 AWG, E, DRK BLU


TE Part # 0515-006-7005
PROTECT CVR, 70P, PLG, WHT, DRC16

TE Part # 0515-031-7005
WIRE ROUTER, 70P, BLK, PLG


Also in the Series | **DEUTSCH DRC**



Automotive Connector Caps & Covers (9)



Automotive Housings(112)

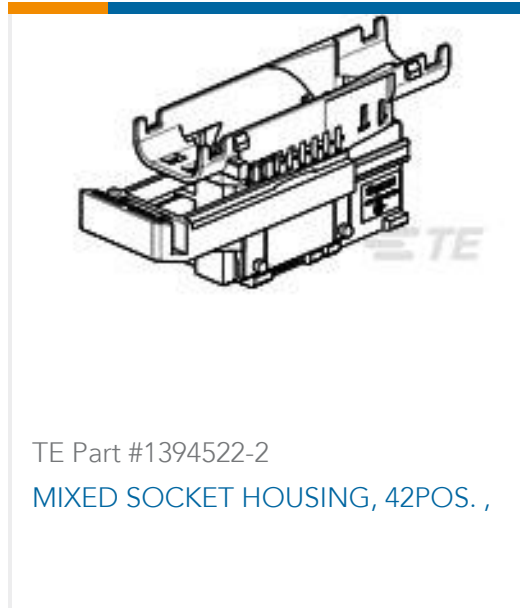


Insertion & Extraction Tools(7)



PCB Headers & Receptacles(41)

Customers Also Bought



Documents

Product Drawings

PLG, 70P, BLK, E, SEAL BOND, A

English

CAD Files

3D PDF

3D

Customer View Model

[ENG_CVM_CVM_DRC16-70SAE-P013_A.2d_dxf.zip](#)

English

Customer View Model

[ENG_CVM_CVM_DRC16-70SAE-P013_A.3d_igs.zip](#)

English

Customer View Model

[ENG_CVM_CVM_DRC16-70SAE-P013_A.3d_stp.zip](#)

English

By downloading the CAD file I accept and agree to the [Terms and Conditions](#) of use.

Datasheets & Catalog Pages



ICT Terminals and Connectors Catalogue

English

Product Specifications

Application Specification

English

Product Environmental Compliance

Product Compliance

English

Product Compliance

English

Agency Approvals

UL Report

English