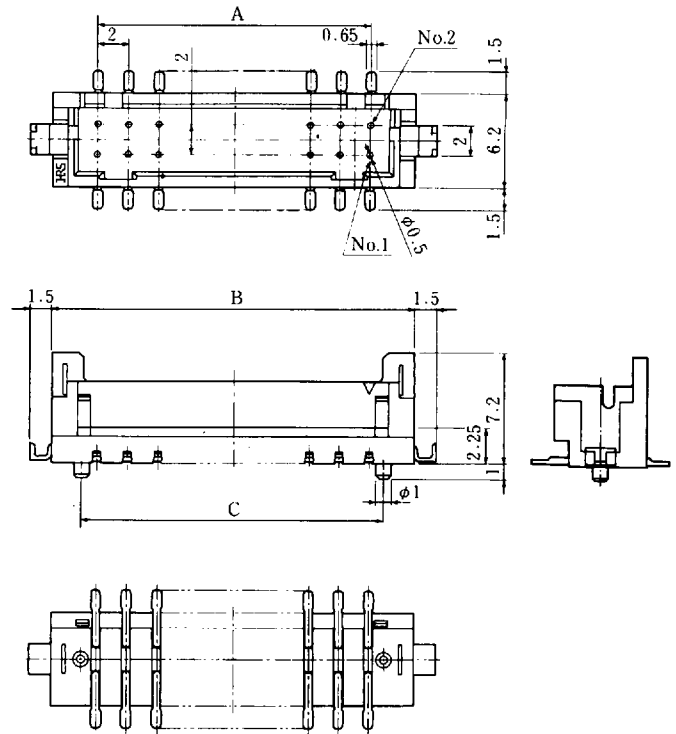
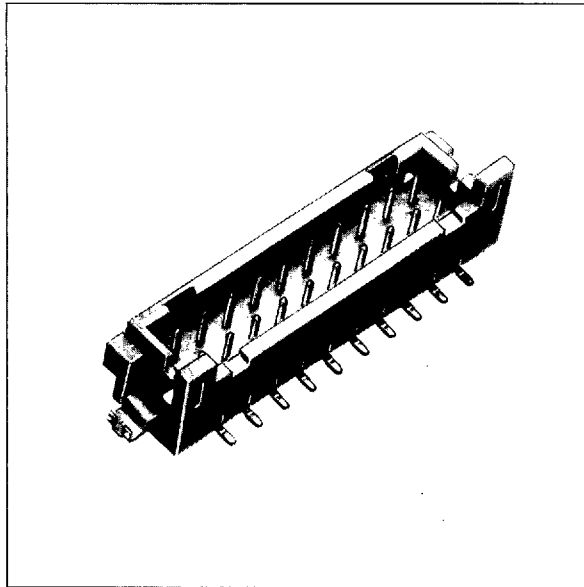
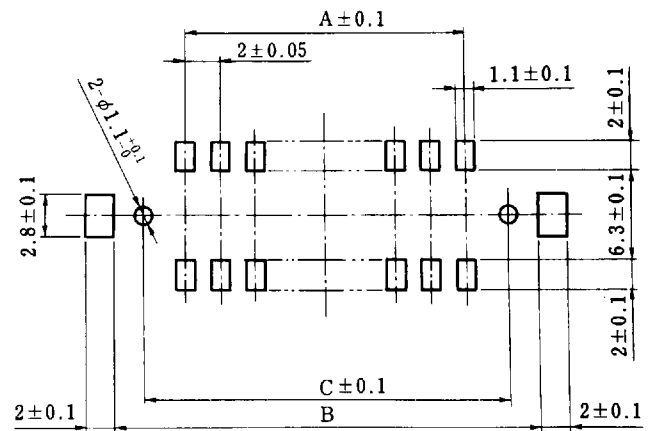


### Straight Pin Header (SMT)



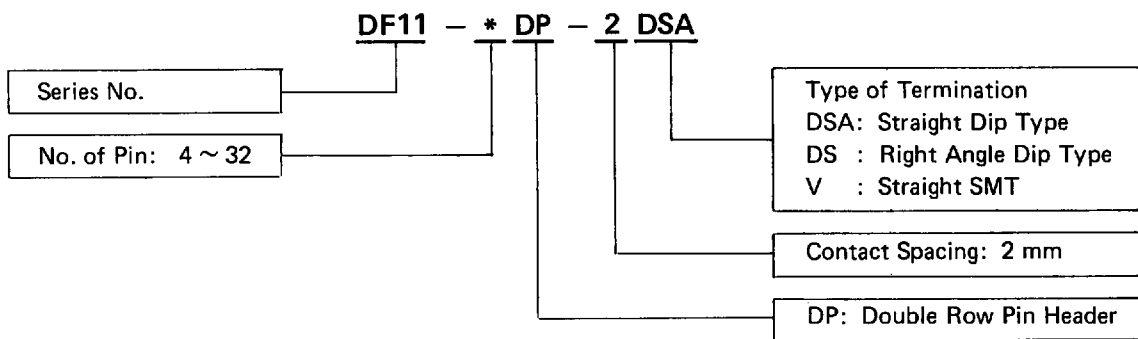
### Recommended PCB Layout



HRS No.	Part No.	No. of Pin	A	B	C
543-0585-5	DF11-4DP-2V	4	2	8.5	4
543-0586-8	DF11-6DP-2V	6	4	10.5	6
543-0587-0	DF11-8DP-2V	8	6	12.5	8
543-0583-3	DF11-10DP-2V	10	8	14.5	10
543-0589-6	DF11-12DP-2V	12	10	16.5	12
543-0590-5	DF11-14DP-2V	14	12	18.5	14
543-0591-8	DF11-16DP-2V	16	14	20.5	16
543-0592-0	DF11-18DP-2V	18	16	22.5	18
543-0593-3	DF11-20DP-2V	20	18	24.5	20
543-0594-6	DF11-22DP-2V	22	20	26.5	22
543-0595-9	DF11-24DP-2V	24	22	28.5	24
543-0596-1	DF11-26DP-2V	26	24	30.5	26
543-0597-4	DF11-28DP-2V	28	26	32.5	28
543-0598-7	DF11-30DP-2V	30	28	34.5	30
543-0599-0	DF11-32DP-2V	32	30	36.5	32
543-0600-7	DF11-40DP-2V	40	38	44.5	40

Note: The minimum ordering quantity is one package (containing 100 pcs).

● Pin Header



**Electrical Performance**

Item	Condition	Standard value
Current capacity (Note)	With AWG#24 cable	3A
	With AWG#26 cable	2A
	With AWG#28 cable	1A
Rated voltage		AC 250V
Insulation resistance	DC 500V	Min. 1,000MΩ
Withstand voltage	At specified value	AC 650V
Contact resistance	at DC 0.1A	Max. 30mΩ

Note: The standard value of the current capacity varies by the connected cable size.

**Material & Finish**

Product	Part	Material	Finish	UL standard
Pin header	Contact	Brass	Tin plating	—
	Insulator	Polyamide resin	Black	UL94V-0
Socket	Insulator	Polyamide resin	Black	UL94V-0
Crimp contact		Phosphor bronze	Tin plating	—

**Application Notes**

