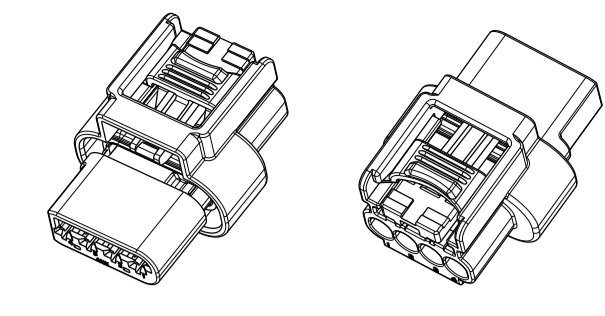
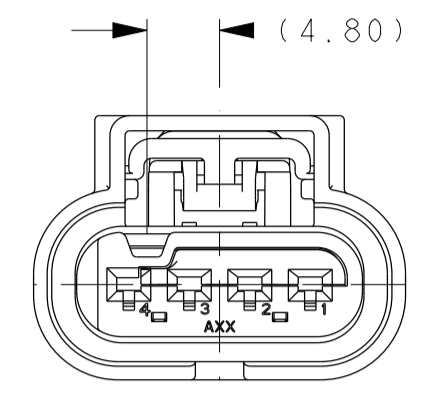


ASSEMBLY NUMBER	PCL	KEY OPTION	COLOR	MOLDED-OVER POSITIONS				COMPONENTS			
				1	2	3	4	INSULATOR (HOUSING)	TPA (BLUE)	RING SEAL (BLUE)	CPA (RED) (OPTIONAL)
F405100		A	BLACK	X	X			F313100	F481100		F752210
F192100		A	BLACK	X	X			F313100	F481100		F752210
F782100		A	BLACK					F971100			
F882100		B	LT GRAY					F181100	F581100		
NOT AVAILABLE		C	DK GRAY					F281100	F681100		
NOT AVAILABLE		D	BLACK					F381100	F781100		F752210
F881100		A	BLACK					F971100	F481100		
F981100		B	LT GRAY					F181100	F581100		
NOT AVAILABLE		C	DK GRAY					F281100	F681100		
NOT AVAILABLE		D	BLACK					F381100	F781100		
F095900		A	BLACK			X		F225900	F481100		

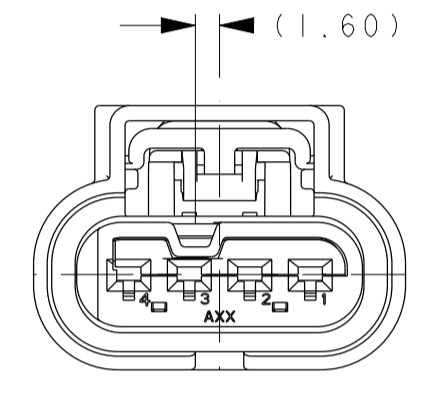
ITEM NO.	ITEM DESCRIPTION	PLATING OR COLOR	SUPPLIER	SUPPLIER COMP PART NUMBER	GRIP CODE	WIRE SIZE	INSULATION DIAMETER RANGE	MATERIAL/SPEC NO
5	1.20 SYSTEM TERMINAL	TIN	FCI	54001864	18	18-16 AWG 0.75-1.25mm ²	1.70mm-2.41mm	COPPER ALLOY / NA
	1.20 SYSTEM TERMINAL	TIN	FCI	54002006	20	22-20 AWG 0.35-0.50mm ²	1.20mm-1.90mm	COPPER ALLOY / NA
	1.20 SYSTEM TERMINAL	TIN/SILVER	FCI	54001866	18	18-16 AWG 0.75-1.25mm ²	1.70mm-2.41mm	COPPER ALLOY / NA
	1.20 SYSTEM TERMINAL	TIN/SILVER	FCI	54002007	20	22-20 AWG 0.35-0.50mm ²	1.20mm-1.90mm	COPPER ALLOY / NA
	1.20 SYSTEM TERMINAL	SILVER	FCI	F731400	18	18-16 AWG 0.75-1.25mm ²	1.70mm-2.41mm	COPPER ALLOY / NA
	1.20 SYSTEM TERMINAL	SILVER	FCI	F931400	20	22-20 AWG 0.35-0.50mm ²	1.20mm-1.90mm	COPPER ALLOY / NA
	1.20 SYSTEM TERMINAL	GOLD	FCI	54001863	18	18-16 AWG 0.75-1.25mm ²	1.70mm-2.41mm	COPPER ALLOY / NA
	1.20 SYSTEM TERMINAL	GOLD	FCI	54002005	20	22-20 AWG 0.35-0.50mm ²	1.20mm-1.90mm	COPPER ALLOY / NA
6	1.20 SYSTEM CABLE SEAL ROUND	RUST RED	FCI (QSR)	C528010 (A-0419)	-	18-16 AWG 1.00-1.25mm ²	1.90mm-2.41mm	SILICONE
	1.20 SYSTEM CABLE SEAL ROUND	BLUE	FCI (QSR)	54200391 (A-0131)	-	22-20 AWG 0.50-0.75mm ²	1.40mm-1.90mm	SILICONE
	1.20 SYSTEM CABLE SEAL ROUND	TAN	FCI (QSR)	C073510 (A-0419B)	-	0.35mm ²	1.20mm-1.40mm	SILICONE
	1.20 SYSTEM SEAL PLUG	GREEN	FCI (QSR)	C628010 (A-0412)	-	-	-	SILICONE



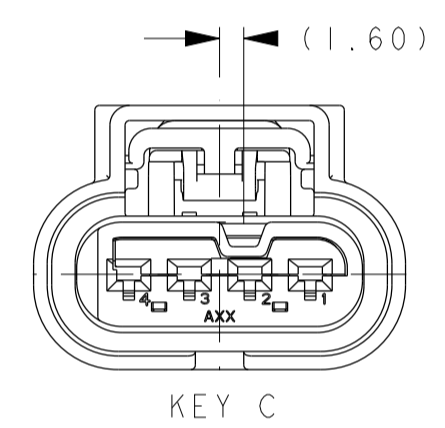
ISOMETRIC VIEW
SCALE 1:1



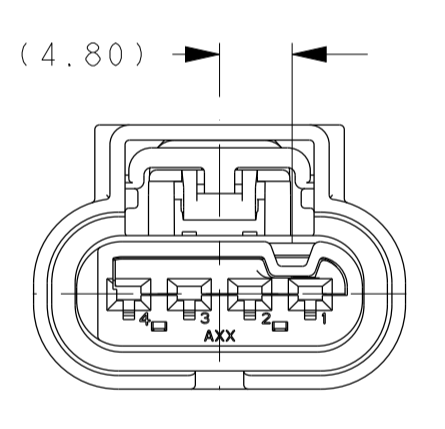
KEY A
SCALE 2:1



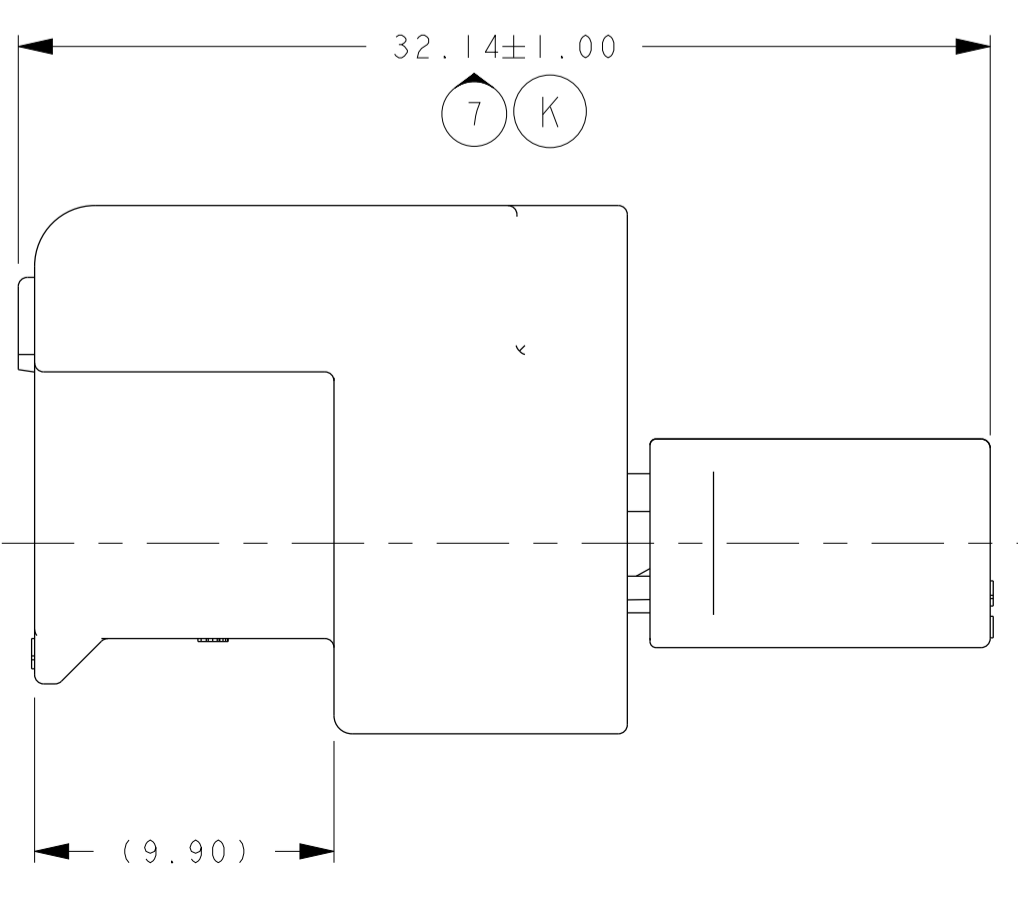
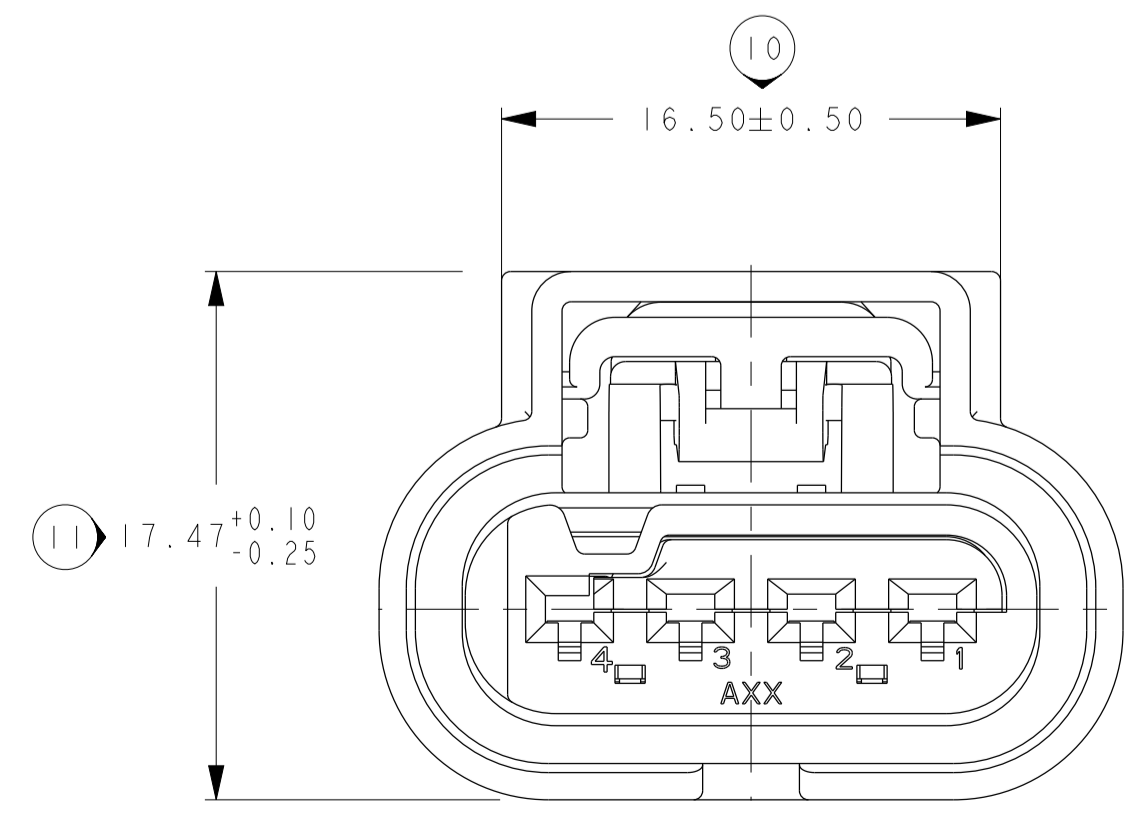
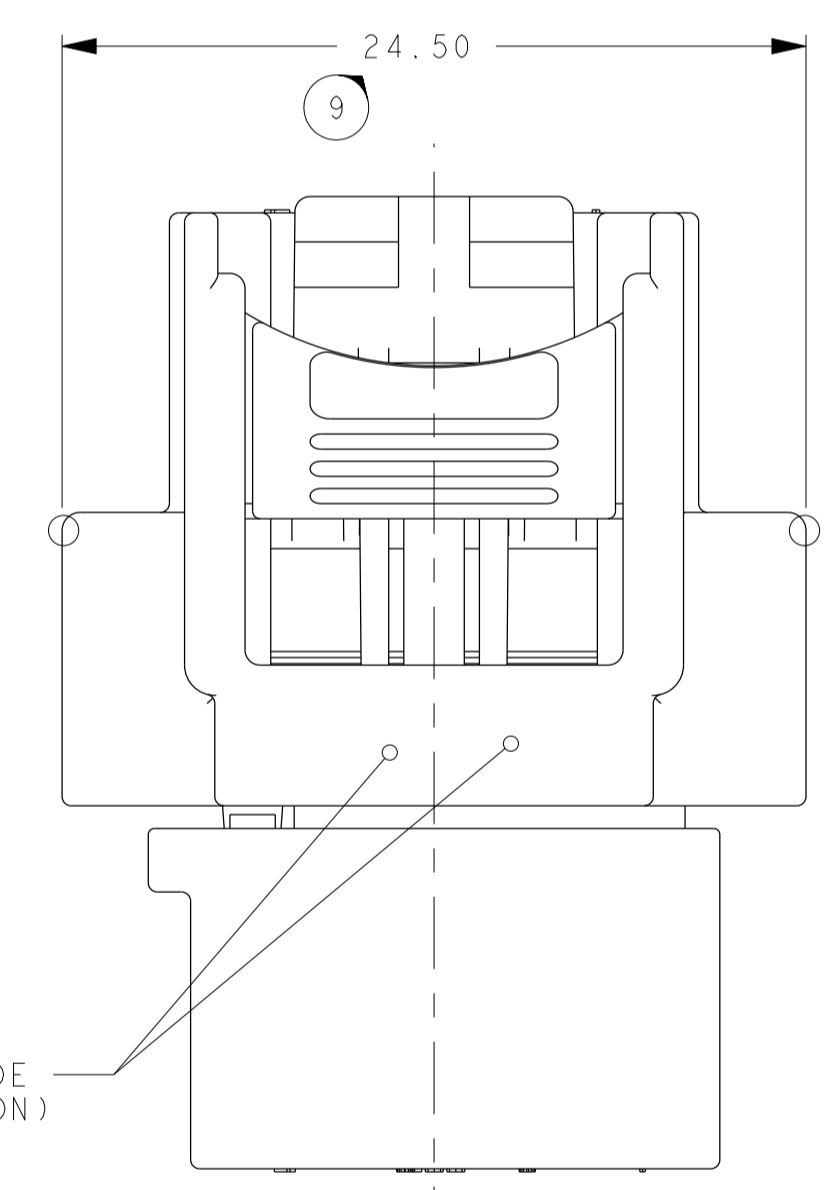
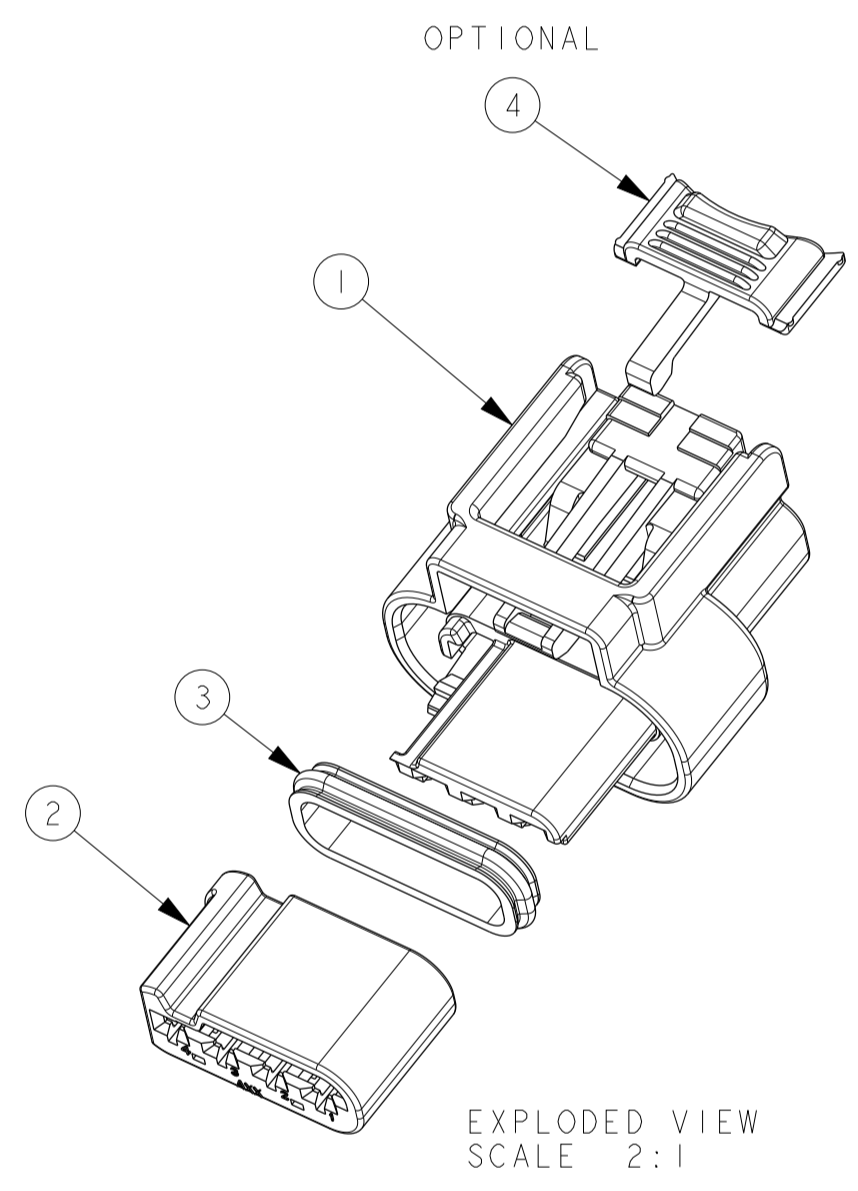
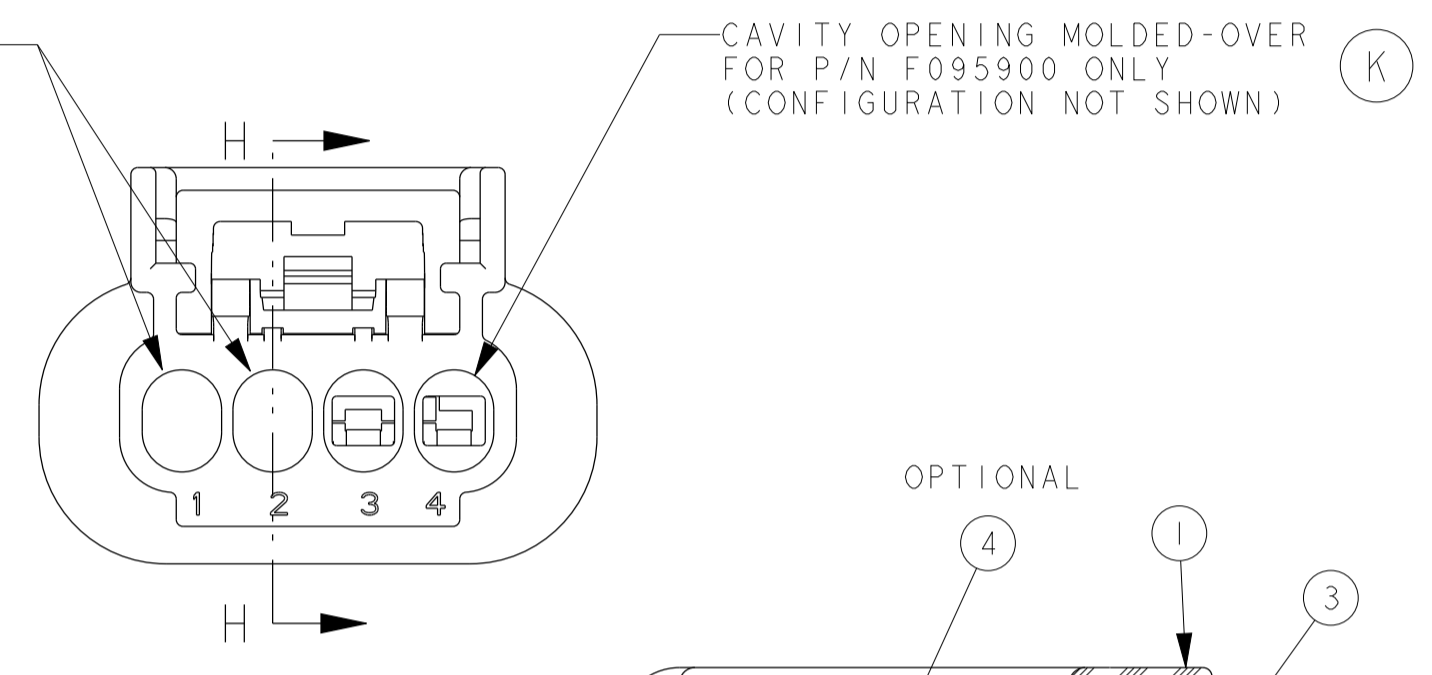
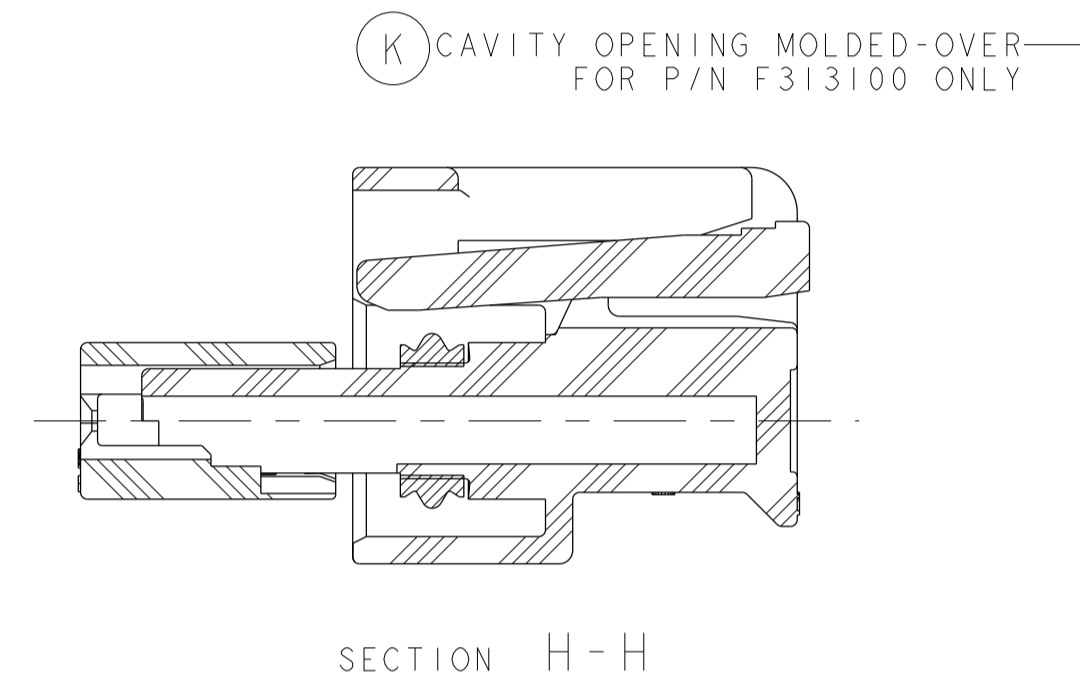
KEY B



KEY C



KEY D



- NOTES:
- VALIDATED TO SAE/USCAR-2 REV 5 WITH THE FOLLOWING EXCEPTION(S):
- SECTION 5.4.2 (Connector-Connector Mating/Unmating Force) >95N (UN-MATING FORCE)
 - VALIDATED TO THE FOLLOWING TEMP, VIBRATION, AND SEALING CLASSES:
- GMW3191 SECTION 4.28 V4 T4 (155°C) WITH GOLD OR SILVER TERMINALS
- SAE/USCAR-2 V3 T4 (150°C) WITH GOLD OR SILVER TERMINALS
- SAE/USCAR-2 V3 T3 (125°C) WITH TIN/SILVER TERMINALS
- SAE/USCAR-2 V2 T3 (125°C) WITH TIN TERMINALS
- SAE/USCAR-2 SEALING S3 T4 (150°C)(1S016750 9K EQUIVALENT)
 - CONNECTOR MAY BE USED WITH THE FOLLOWING TERMINALS:
- FCI APEX 1.2 TERMINALS LISTED IN THE APPLICABLE COMPONENTS CHART ON THIS DRAWING WITH WIRE SIZES DEFINED IN NOTE 4.
- SEE FCI DRAWING C18001-1-2-CUST FOR SPECIFIC TERMINAL DETAILS AND CRIMPING REQUIREMENTS
- PLATING OF TERMINALS AND MATING DEVICE BLADES MUST BE COMPATIBLE
 - CONNECTOR SYSTEM VALIDATED TO USCAR-2 REQUIREMENTS WITH THE FOLLOWING RANGE OF WIRE SIZES AND TYPES IN CONJUNCTION WITH APPROPRIATE COMPONENTS FOUND IN THE "APPLICABLE COMPONENTS" CHART:
AWG - WIRE SIZES: 22AWG - 16AWG
INSULATION DIAMETER: 1.50mm MIN - 2.41mm MAX
WIRE TYPE: MIL-123-A, MS-8288, MS-9502 OR EQUIVALENT (STRUCTURE AND PROPERTIES ACCORDING TO SAE J1128)
METRIC - WIRE SIZES: 0.35mm² - 1.25mm²
INSULATION DIAMETER: 1.20mm MIN - 2.30mm MAX
TYPE/STANDARD: FLR2X, FLR9X OR EQUIVALENT (STRUCTURE AND PROPERTIES ACCORDING TO ISO 6722)
- CONTACT FCI ENGINEERING REGARDING USE OF OTHER WIRE SIZES AND/OR TYPES
- WIRE AND INSULATION TYPE MUST BE APPROPRIATE FOR TEMPERATURE CLASS & APPLICATION ENVIRONMENT
- CONNECTOR IS MATE COMPATIBLE WITH DEVICES WHICH CONFORM WITH THE FOLLOWING USCAR INTERFACE SPECIFICATIONS:
- 120-S-004-1-201 (WITH EWCAP-001 TYPE 120-T BLADES)
- 120-S-004-1-202 (WITH EWCAP-001 TYPE 120-T BLADES)
 - ANNUAL QUALITY REQUIREMENTS:
- IT IS PERMISSIBLE TO PERFORM CONTINUOUS CONFORMANCE PER FCI SPECIFICATION #AQA-001 INSTEAD OF ANNUAL LAYOUT AND ANNUAL PV REQUIREMENTS OF ISO TS16949 AND SAE/USCAR-2 REV 5. FOR TERMINAL TO CONNECTOR AND TPA TO CONNECTOR ONLY.
 - SOURCE ID, MOLD & CAVITY ID SIGNIFIES TOOL OWNERSHIP, FOR REFERENCE
 - (K) INDICATES IN-PROCESS INSPECTION FOR MANUFACTURING DIMENSIONS OR SPECIFICATIONS.

ECN-12-01304	APP CHRT	ADD 0.35 CABLE SEAL C073510, ADD 0.35mm ² AND 22 AWG WIRE
	PART BOM	KEY OPTION C WAS BROWN, KEY OPTION D WAS DK GRAY
	NOTES	CORRECT AND REVISE NOTE 4
1200612	CHARTS	RE-ACTIVATE PART NUMBERS F405100, F782100 AND F882100
	CHARTS	CPA PART NUMBER F752210 WAS 54200016
	CHARTS	REVISED "APPLICABLE COMPONENTS CHART"
	NOTES	REVISED NOTE 4
11899	CHARTS	REVISED "APPLICABLE COMPONENTS" CHART
11835	CHARTS	ADDED ASM NUMBER F095900, REVISED "APPLICABLE COMPONENTS" CHART, REVISED NOTE #5
11765	CHARTS	REVISED "APPLICABLE COMPONENTS" CHART, MOVED KEY VIEWS, NOTES REVISED
	NOTES	REVISED NOTE 4
	DRAWING NUMBER	PCC0546721 WAS PCC0546721
10454	CHARTS	REVISED CHART, ADDED "APPLICABLE COMPONENTS" CHART, KEYS C&D "NOT AVAILABLE"
	ADDED	DIMENSION BALLOONS
	KEY(S)	REFERENCE DIMS WERE DIMENSIONS WITH TOLERANCE (#12,#13,#14,#15)
	B12,C15	17.42±0.10/-0.25 WAS 17.42 (#11), 32.15±1.00 WAS 32.15 (#7)
	G11	DIMENSION 24.5 (#9) MOVED TO NEW VIEW & TARGETS ADDED
	C11	16.50±0.50 WAS 16.50 (#10)
	NOTES	ADDED QUALITY ASSURANCE REQUIREMENTS (DIAMOND), "K" NOTE, & CONN-CONN REMOVAL FORCE
10140		RELEASE FOR PRODUCTION
ECN NO.	ZONE	CHANGE DESCRIPTION
PRODUCT SPEC.	PACKAGING SPEC.	APPLICATION SPEC.
THIS DRAWING AND ALL OTHER INFORMATION CONTAINED THEREIN IS PROPRIETARY AND THE PROPERTY OF FCI. THIS DRAWING MAY NOT BE COPIED, REPRODUCED OR DISCLOSED TO ANY THIRD PARTY WITHOUT THE EXPRESSED WRITTEN PERMISSION OF FCI. FCI, APR 11, 1999		
TOLERANCES	±0.1	±0.2*
CONFORM TO:		
DO NOT MEASURE DRAWING	TOOL NO.	ECO Loc. C46 AN
DATE	NAME	TITLE
20071102	Mathias P.	PROJECT
20131022	Math MAJON	PROJECT
20131022	Robert BAUMAN	PROJECT
20131022	Frank HOLUB	ESR NO.
20131022		CAT. NO.
FILE NAME	PCC0546721	DOCUMENT UNDER PDS CONTROL, NO MODIFICATION ALLOWED OUTSIDE
DRAWING NUMBER		REV.
PCC0546721		G
STATE		APPROVAL LEVEL
SERIAL RELEASED		1
PART NUMBER		REV.
		A1
See Table		SCALE 3.000