

Direct Links

- Cross Reference
- RoHS/LF P/N search
- Document & Drawing search
- Application tooling

Services

- Contact us
- Distributor list
- Pricing request
- Order samples

Literature

- Brochures & catalogs
- Product documentation
- Technical library

Start > Search=DTBFHPE14BKSV* > **DTBFHPE14BKSV**

DTBFHPE14BKSV

[Assistant](#) [A](#)



DTBFHPE14BKSV

14 way panel-through Female housing

[Email Datasheet](#) [Pr](#)

ACTIVE

[Customer Drawing](#)

FCI Brings You More

[Contact our sales/tec](#)

[Sample request](#)

[Price request](#)

Automotive division

Mating Half

[DTBMHPE14BKSV](#)

Specifications

			Terminal 1	Terminal 2		Other
General	Mechanical	Physical	Type	Type	Environmental	Features

General

Application	Panel-Through
Ways	14
Product Type	Housing
Coding	No
Family	Panel-Through
Features	Terminal position assurance (T.P.A.) Protected locking cam Sealing protection IP 67 Acceptable wire size range from 0.3 Real sealing ensured by mat-seal
Hybrid	Yes

Main Terminal family	Sicma
Main Terminal size	1.5 mm
Sealed	Yes
Terminal Size	12x1.5+2x2.8

Mechanical

Connector mating force	< 65N
------------------------	-------

Physical

Color	Black
Material	PA66-GF15
Temperature (Range)	-40°C to+125°C

Terminal 1 Type

Terminal type 1	Sicma Female 1.5 mm Terminal
Ways for Terminal Type 1	12
Contact insertion force for Terminal Type 1	< 10N
Retention force (Contact) for Terminal Type 1	> 60N

Terminal 2 Type

Terminal type 2	Sicma Female 2.8 mm Terminal
Ways for Terminal Type 2	2
Contact insertion force for Terminal Type 2	< 15N
Retention force (Contact) for Terminal Type 2	> 80N

Environmental

IMDS	Yes
------	-----

Other Features

Type	Female
Disclaimer	<p>Displayed data is for information pur For more information, please contac sales office.</p> <p>The supply of some products might some customers.</p>



Panel-through connectors

Sicma

14/16/34 way sealed connector system for 1.5 + 2.8 mm terminals

Features

- 14/16 and 34 position housings available for 1.5 + 2.8 mm terminals
- Real sealing ensured by mat-seal
- Male housing incorporates a mobile grid to support blade terminals guiding and mating
- Terminal position assurance (T.P.A.)
- Protected locking cam on female housing



Performance characteristics

- Temperature range: from -40°C to +125°C
- Contact retention force: > 60 N
- Contact insertion force: < 10 N
- Connector mating force: < 65 N
- Sealing protection: IP 67
- Acceptable wire range: from 0.35 mm² to 2.5 mm²

Construction

- Housing material: PBT
- Interfacial seal: Silicone (grommet)

Connector compatibility

- Usable terminals:
 - Sicma-2 1.5 mm female terminals
 - Sicma-2 1.5 mm male terminals
 - Sicma-2 2.8 mm female terminals
 - Sicma-2 2.8 mm male terminals
 - Sicma-3 1.5 mm female terminals
 - Sicma-3 1.5 mm male terminals
 - Sicma-3 2.8 mm female terminals
 - Sicma-3 2.8 mm male terminals

Part Numbers	No. of position	Terminal size	Type	Colour
DTB FH PE 34 BK	34	30 x [1.5 mm] + 4 x [2.8 mm]	Female housing	Black
DTB MH PE 34 BK	34	30 x [1.5 mm] + 4 x [2.8 mm]	Male housing	Black
DTB FH PE 14 BK	14	10 x [1.5 mm] + 4 x [2.8 mm]	Female housing	Black
DTB MH PE 14 BK	14	10 x [1.5 mm] + 4 x [2.8 mm]	Male housing	Black
DTB FH PE 14 BK SV*	14	10 x [1.5 mm] + 4 x [2.8 mm]	Female housing	Black
DTB MH PE 14 BK SV*	14	10 x [1.5 mm] + 4 x [2.8 mm]	Male housing	Black
SIC FH PE 16 BK SV*	16	16 x 1.5 mm	Female housing	Black
SIC MH PE 16 BK SV*	16	16 x 1.5 mm	Male housing	Black

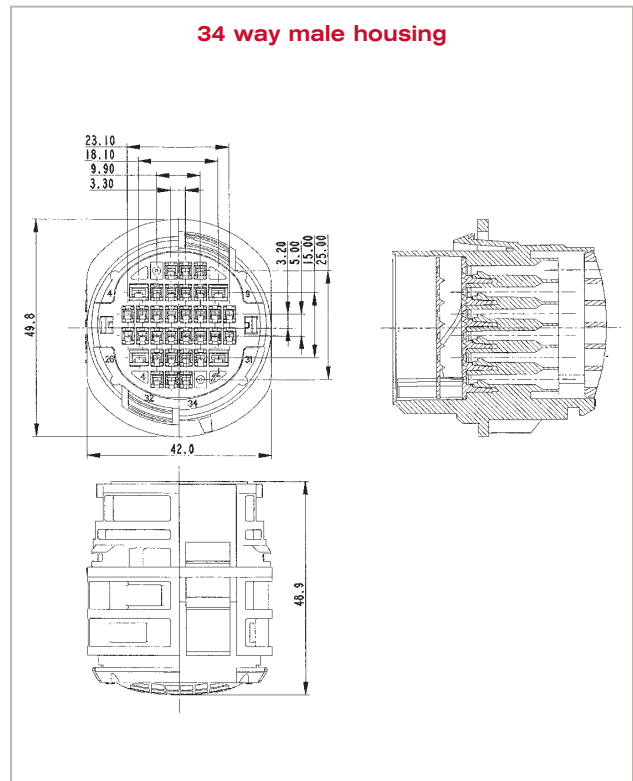
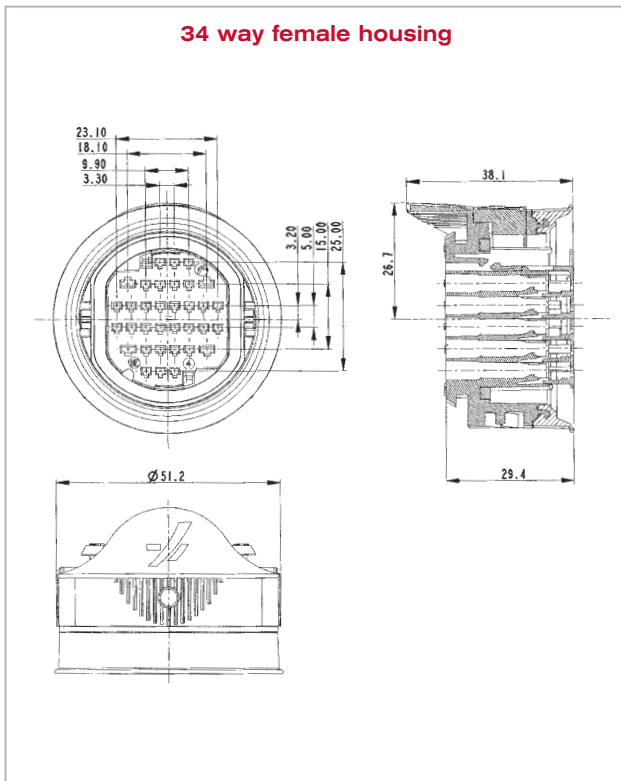
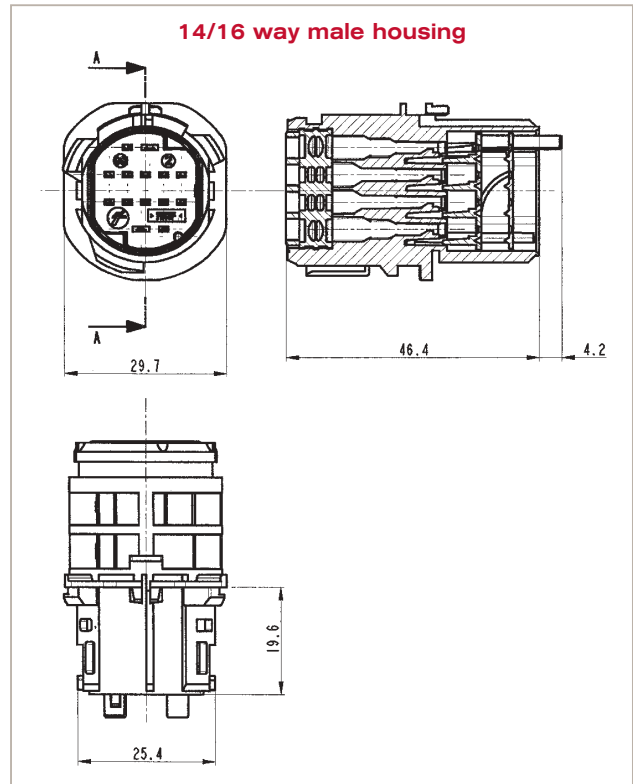
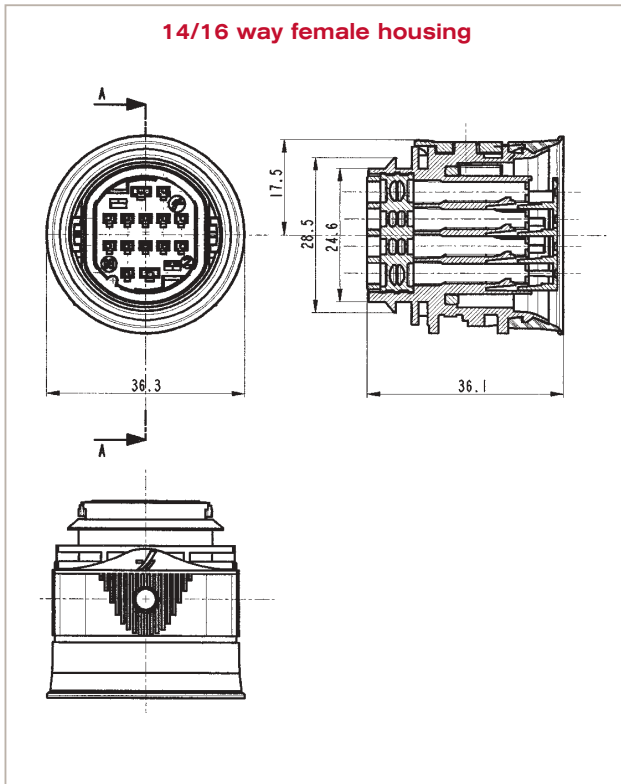
* SV: Sealed version

Panel-through connectors

Sicma

14/16/34 way sealed system for 1.5 + 2.8 mm terminals

Dimensional characteristics



Panel-through connectors



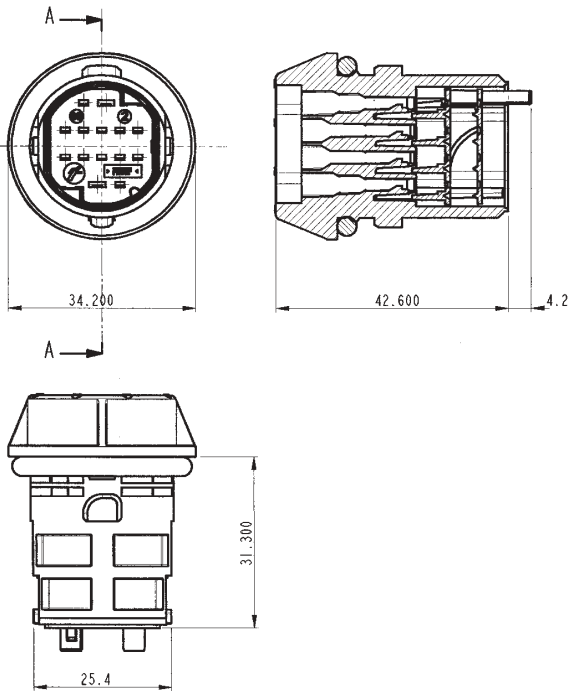
Sicma

14/16/34 way sealed system for 1.5 + 2.8 mm terminals

Dimensional characteristics

14 way male housing for head-lamp version

Notes:



Notes:

