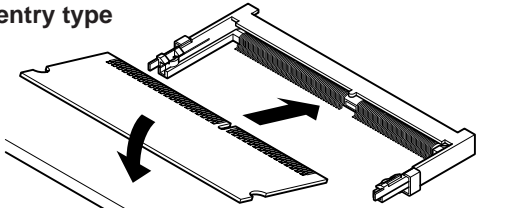




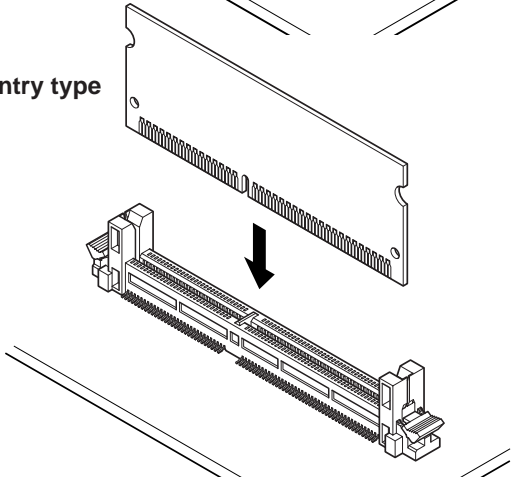
DM-144P CONNECTOR

0.8mm pitch/Socket for S.O.DIMM

Side entry type



Top entry type



Sockets for the 8 bytes S.O.DIMM which is standardized by the JEDEC.

- Extremely small space for mounting on the board

Specifications

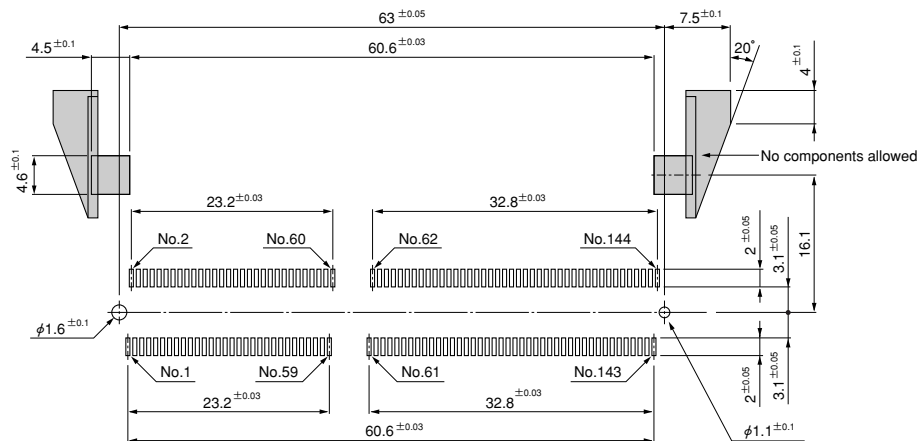
- Current rating: 0.5 A AC, DC
 - Voltage rating: 250 V AC, DC
 - Temperature range: -25°C to +85°C
(including temperature rise in applying electrical current)
 - Contact resistance: Initial value/ 30 mΩ max.
After environmental tests/ 50 mΩ max.
 - Insulation resistance: 250 MΩ min.
 - Withstanding voltage: 250 VAC/minute
- * Refer to "General Instruction and Notice when using Terminals and Connectors" at the end of this catalog.
* Contact JST for details.
* Compliant with RoHS.

Standards

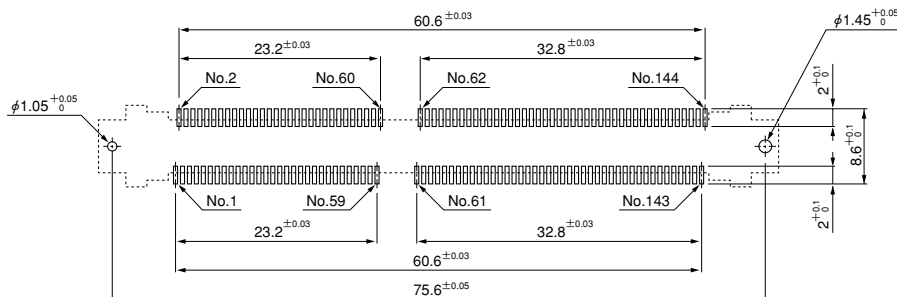
Recognized E60389

PC board layout

Side entry type



Top entry type

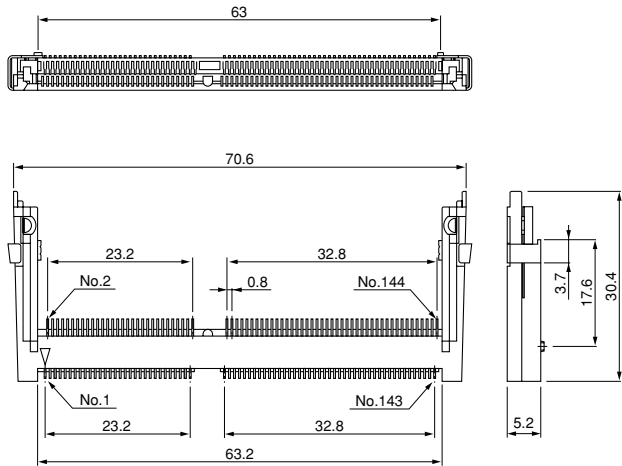


Note: 1. The above figure is the figure viewed from the connector mounting side.
2. Tolerances are non-cumulative: ± 0.03 mm for all centers.
3. The dimensions above should serve as a guideline. Contact JST for details.

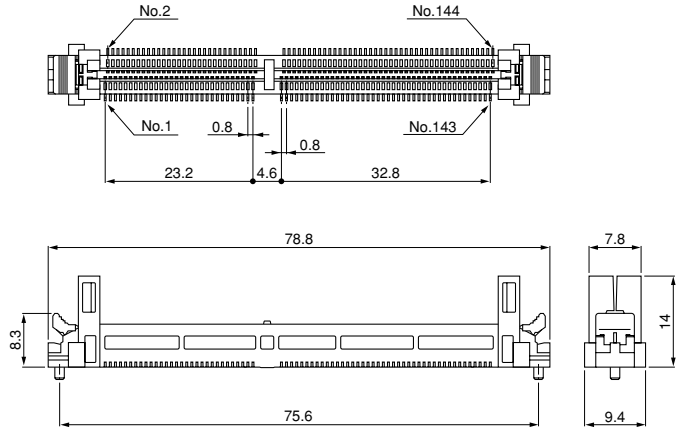
DM-144P CONNECTOR

Connector

Side entry type



Top entry type



Model No.	Q'ty/box
DM-3B1-N1210	320

Model No.	Q'ty/box
DM-3D4-B3200	224

Material and Finish

Contact: Copper alloy, nickel-undercoated, Mating part; gold-plated
Solder tail; tin/copper alloy-plated
Housing: Heat resisting resin, UL94V-0
Solder tab: Copper alloy, nickel-undercoated, tin/copper alloy-plated

Material and Finish

Contact: Copper alloy, nickel-undercoated, gold-plated
Housing: Heat resisting resin, UL94V-0
Ejector: Heat resisting resin, UL94V-0

RoHS compliance

RoHS compliance This product displays (LF) on a label.

Applicable PC board layout (for reference)

