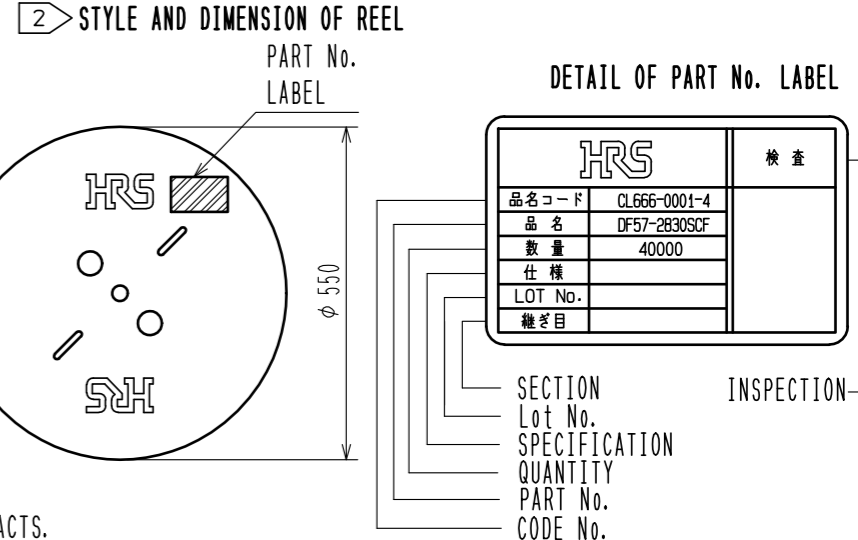
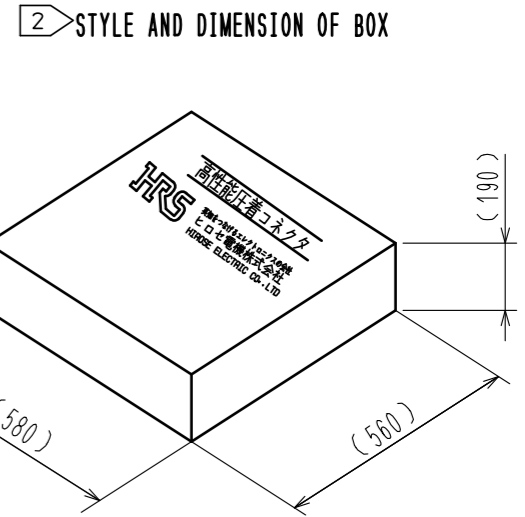
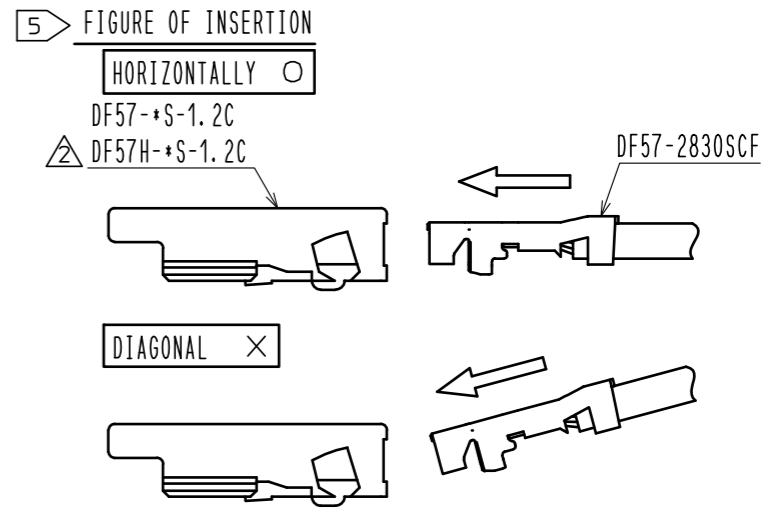
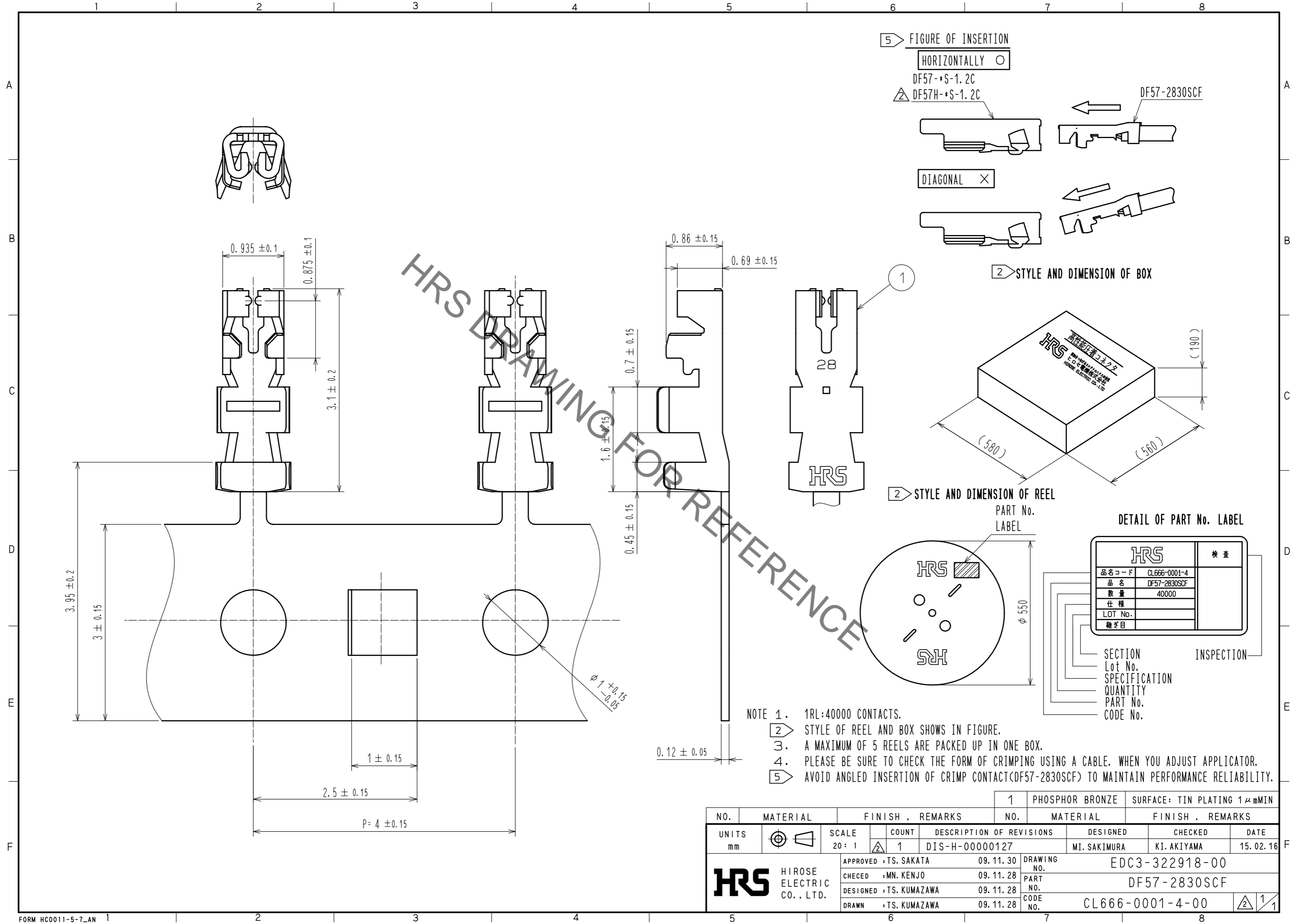


Sep.1.2019 Copyright 2019 HIROSE ELECTRIC CO., LTD. All Rights Reserved.
In case of consideration for using Automotive equipment / device which demand high reliability, kindly contact our sales window correspondents.



- NOTE 1. 1RL:40000 CONTACTS.
- 2 STYLE OF REEL AND BOX SHOWS IN FIGURE.
3. A MAXIMUM OF 5 REELS ARE PACKED UP IN ONE BOX.
4. PLEASE BE SURE TO CHECK THE FORM OF CRIMPING USING A CABLE. WHEN YOU ADJUST APPLICATOR.
- 5 AVOID ANGLED INSERTION OF CRIMP CONTACT(DF57-2830SCF) TO MAINTAIN PERFORMANCE RELIABILITY.

NO.	MATERIAL	FINISH . REMARKS	NO.	MATERIAL	FINISH . REMARKS
			1	PHOSPHOR BRONZE	SURFACE: TIN PLATING 1 μmMIN

UNITS mm		SCALE 20: 1	COUNT 1	DESCRIPTION OF REVISIONS DIS-H-00000127	DESIGNED MI. SAKIMURA	CHECKED KI. AKIYAMA	DATE 15. 02. 16
HRS HIROSE ELECTRIC CO., LTD.		APPROVED : TS. SAKATA	09. 11. 30	DRAWING NO.	EDC3-322918-00		
		CHECED : MN. KENJO	09. 11. 28	PART NO.	DF57-2830SCF		
		DESIGNED : TS. KUMAZAWA	09. 11. 28	CODE NO.	CL666-0001-4-00		
		DRAWN : TS. KUMAZAWA	09. 11. 28		1/1		