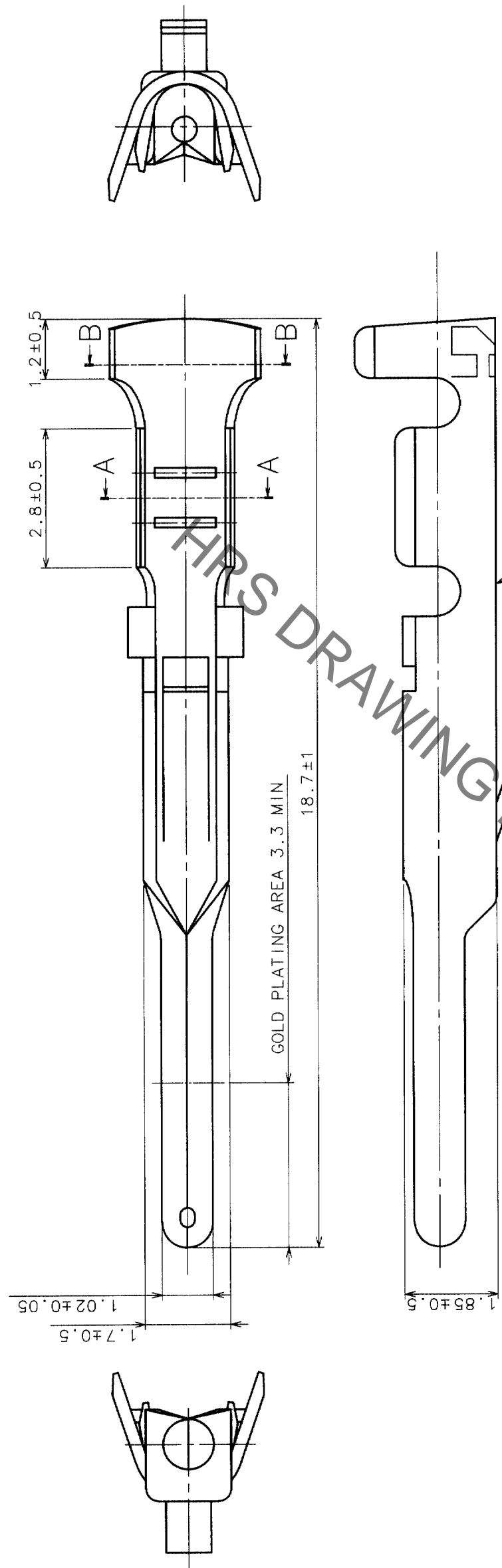


Jun. 1. 2019 Copyright 2019 HIROSE ELECTRIC CO., LTD. All Rights Reserved.
 In case of consideration for using Automotive equipment / device which demand high reliability, kindly contact our sales window correspondents.

1 2 3 4 5 6 7 8

COUNT	DESCRIPTION OF REVISIONS	BY	CHKD	DATE	COUNT	DESCRIPTION OF REVISIONS	BY	CHKD	DATE
△					△				
△					△				
△					△				



TO	
Q1	

NO.	MATERIAL	FINISH, REMARKS	NO.	MATERIAL	FINISH, REMARKS
1	PHOSPHOR BRONZE				
CONTACT AREA: GOLD 0.2μm min UNDER PLATING: NICKEL 1μm min					

NO.	MATERIAL	FINISH, REMARKS	NO.	MATERIAL	FINISH, REMARKS

DRAWN	M. Shingema	CHECKED	M. Shingema	APPROVED	M. Shingema	RELEASED	
DATE	03.3.31	DATE	03.3.31	DATE	03.3.31	DATE	03.3.31

DRAWING NO.	EDC3-009096	PART NO.	CD-PC-111
SCALE	10 : 1	CODE NO.	CL211-0185-8
UNITS	mm		

1 2 3 4 5 6 7 8 FORM NO. 229