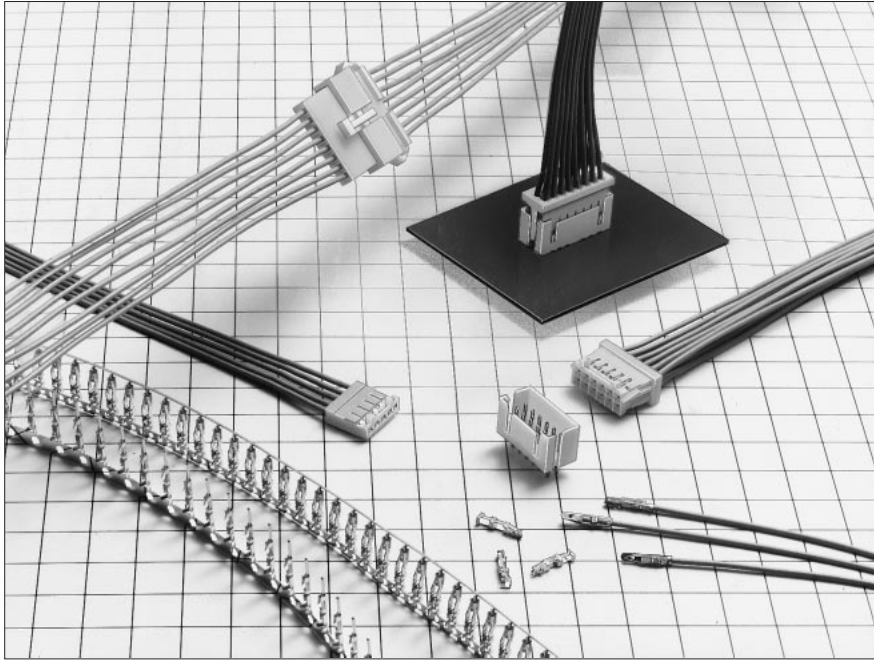


DF1B SERIES

2.5 mm Pitch Discrete Wire Connectors (Approved by UL & CSA)



■ Features

1. New concept of insulation displacement termination and crimping

This is a new type of connector with an "insertion after termination" design; its terminals are inserted into the case after being connected to cables by insulation displacement termination. Its features are as follows.

- ① By using insulation displacement termination terminals and crimp terminals, you can place cables with different current capacities in the same case (see the figure on the right).
- ② Easy to maintain because the terminals can be replaced after connections have been made.
- ③ Highly reliable because the parts connected by insulation displacement termination are protected by the case.
- ④ Can be connected to cables by insulation displacement termination on conventional crimping machines by replacing the applicators only. Thus, expensive insulation displacement terminators are not needed.

Cables with different current capacities can be placed in the same case.

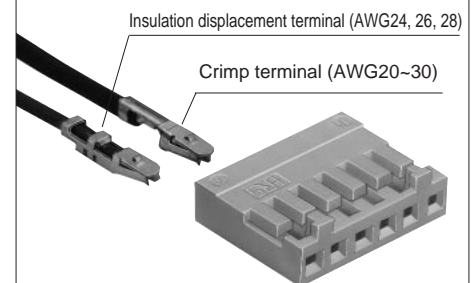


Fig. 1

2. Header compatible with potting available

High profile headers available which are compatible with potting (sealing with resin) of boards for waterproofing (see Fig. 2).

3. Many variations

Each of the board-to-cable and extension series is available in one-row and two-row terminal arrangements. Select either the gold- or tin-plated standard connectors. See the applicable combinations on the next page.

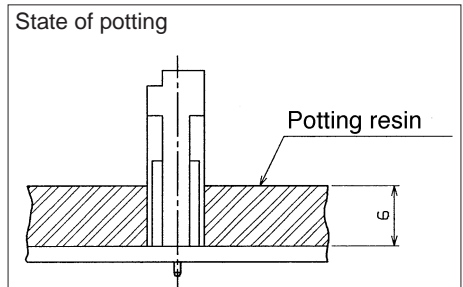


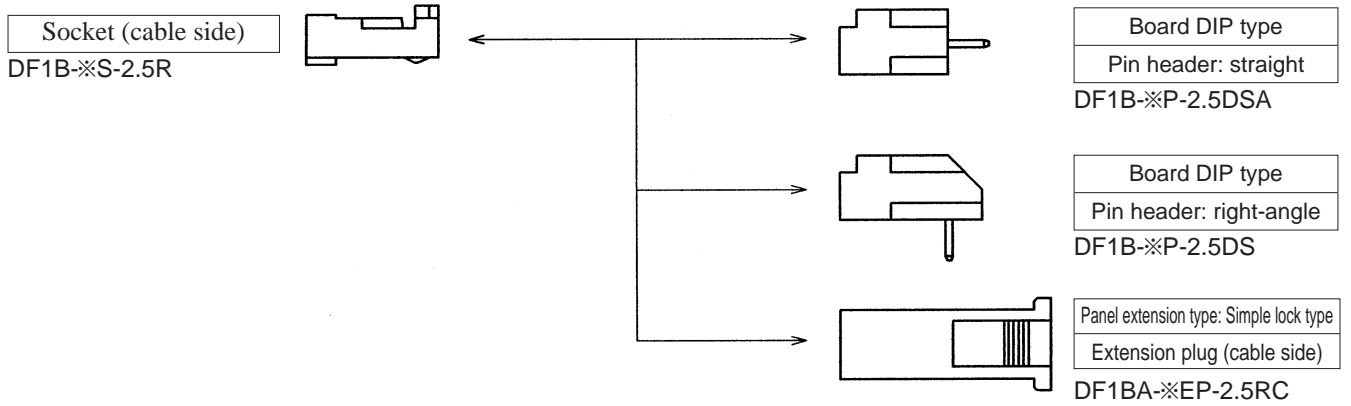
Fig. 2

■ Application

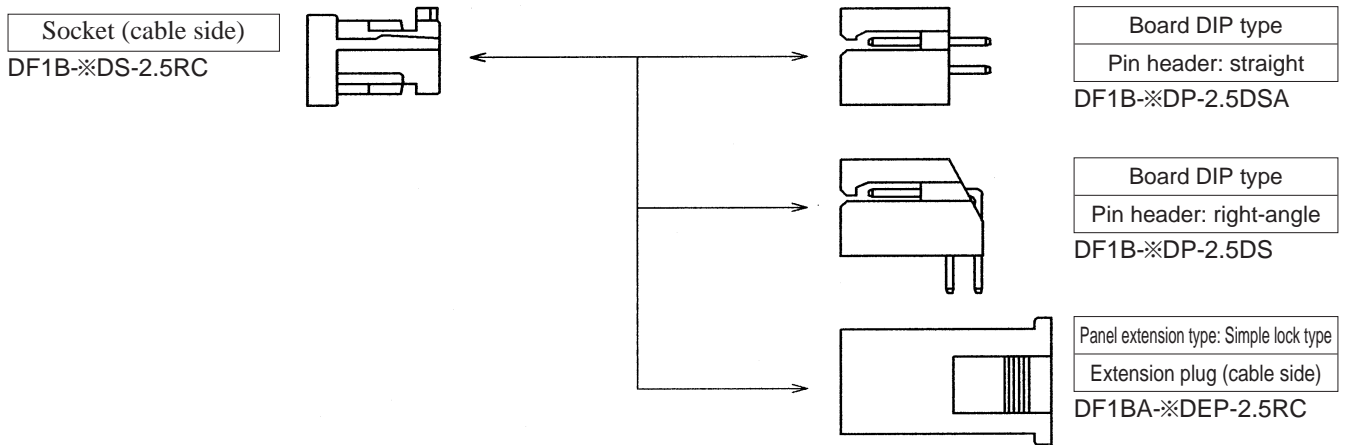
OA equipment such as copying machines and printers.

❖ **Applicable combinations**

● One-row type

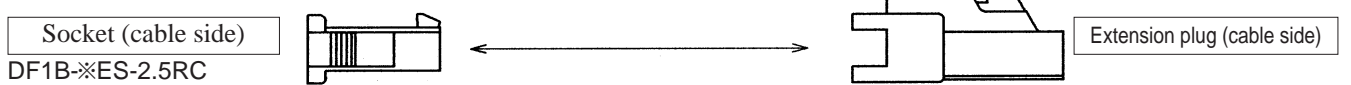


● Two-row type

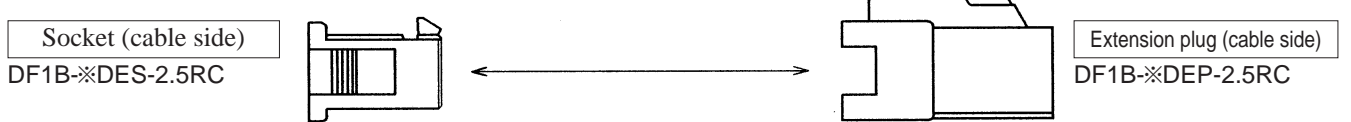


Extension parts (cable-to-cable connection): complete lock type

● One-row type



● Two-row type



Product Standard

Rating	Rated current (Note 1)	Wire size	AWG 20~24 : 3A AWG 26 : 2A AWG 28 : 1A AWG 30 : 0.5A	Operating temp.	-35~85°C(Note 2)
	Rated voltage	AC250V		Operating humidity	40~80%
				Storage temp.	-10~60°C(Note 3)
				Storage humidity	40~70%(Note 3)

Approved by UL-CSA Safety Standard					
Rating	Rated current (Note 1)	Wire size	AWG 20~22 : 3A AWG 24~28 : 1A AWG 30 : 0.5A		
	Rated voltage	AC30V			

UL & CSA Safety Standards File No.

UL : E52653

CSA : LR95109

Item	Standard	Conditions
1. Insulation resistance	1000 MΩ or more	Measured at 500 VDC
2. Withstand voltage	No flashover or dielectric breakdown allowed	AC650V 1 minute
3. Contact resistance	30 mΩ or less	Measured at 100 mA
4. Insertion and withdrawals force	MIN 0.44 N (45gf) MAX 4.4 N (45gf)	To be measured with a steel pin of □0.635±0.002mm
5. Vibration resistance	No electrical discontinuity of 1 μs or more allowed	Frequency: 10 - 55 Hz, single-side amplitude: 0.75 mm, 3 directions for 2 hours
6. Moisture resistance	Contact resistance: 30 mΩ or less, insulation resistance: 1000 MΩ or more	Temperature: 40±2°C, humidity: 90 - 95%, allow 96 hours before measurement
7. Temperature cycle	Contact resistance: 30 mΩ or less, insulation resistance: 1000 MΩ or more	(-55°C for 30 min. → 5 - 35°C for 10 min. → 85°C for 30 min. → 5 - 35°C for 10 min.) 5 cycles
8. Insertion/extraction life	Contact resistance: 30 mΩ or less	Tin-plate : 30 insertions/extractions Gold-plate : 50 insertions/extractions
9. Solder heat resistance	No melting of resin affecting the connector performance allowed	Dip type Flow: 250°C for 10 sec. Manual soldering: solder temperature: 300°C for 3 seconds

Note 1: The rated current varies depending on the size of wire connected to the connector. The rating of the header itself is 3 A.

Note 2: Includes temperature rise when power is on.

Note 3: "Storage" refers to a long period of storage without use of the product before being mounted on a board.

The operating temperature and humidity ranges apply to the connectors mounted on a board when turned off, and connectors under temporary storage such as those being transported.

Note 4: The above standards are typical for the DF1B series. The formal standards are stated in the delivery specifications.

Material

Product	Part	Material	Processing	UL Rating
Socket	Insulation	Polyamide resin	White (Natural)	UL94V-0
ID terminal for socket	Terminal	Phosphor bronze	Tin-plated or Gold-plated	————
Crimp terminal for socket	Terminal	Phosphor bronze	Tin-plated or Gold-plated	————
Pin header	Insulation	Polyamide resin	White (Natural)	UL94V-0
	Terminal	Brass	Tin-plated or Gold-plated	————
Extension plug	Insulation	Polyamide resin	White (Natural)	UL94V-0
ID terminal for extension plug	Terminal	Phosphor bronze	Tin-plated or Gold-plated	————
Crimp terminal for extension plug	Terminal	Phosphor bronze	Tin-plated or Gold-plated	————

Note : Our tin plating is protected from whiskers.

■ Structure of the product number

The product specifications can be determined from the product number.

When ordering, select products using the product numbers listed in this catalog. 96 to 107 pages.

● Connector

DF1B - *S - 2.5RC
 ① ② ③ ④ ⑤ ⑥

① Series Name : DF	④ Types of connectors S : Single-row socket DS : Double-row socket P : Single-row pin header DP : Double-row pin header ES : Single-row terminal socket DES : Double-row terminal socket EP : Single-row terminal plug DEP : Double-row terminal plug	⑤ Contact pitch : 2.5mm
② Series No. : 1B		⑥ Connection form/Type of termination RC : Case for ID termination and crimp (Note) DSA : Straight dip DS : Right angle dip Note: Only the DF1B-*S-2.5R single-row sockets end with "R," which has the same meaning as "RC."
③ Number of contacts : Single-row : 2~16, 18, 20 Double-row : 4~30, 34, 40		

● Socket ID terminal

DF1B - R24FA
 ① ② ③ ④

① Connection R : ID termination	③ Type of packaging Blank : Loose piece F : Reel
② Applicable wire size 24 : AWG24 26 : AWG26 28 : AWG28	④ Type of plating Blank : Tin-plated A : Gold-plated

● Plug ID terminal

DF1B - 24PRFB
 ① ② ③ ④ ⑤

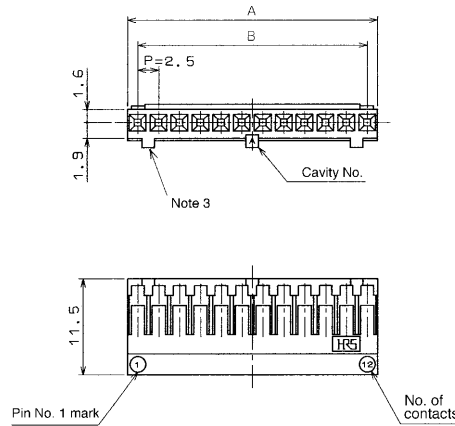
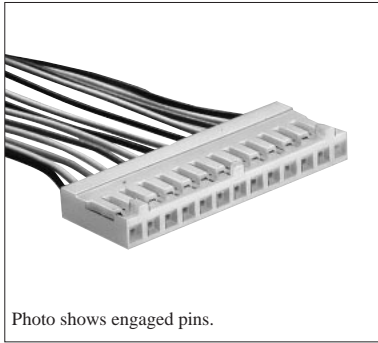
① Applicable wire size 24 : AWG24 26 : AWG26 28 : AWG28	④ Type of packaging Blank : Loose piece F : Reel
② Shape symbol P : Plug	⑤ Type of plating Blank : Tin-plated B : Gold-plated
③ Connection R : ID termination	

● Crimp terminal

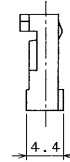
DF1B - 2428SCFA
 ① ② ③

① Applicable wire size 2022 : AWG20~22 2428 : AWG24~28 30 : AWG30	③ Type of packaging Blank : Tin-plated A : Gold-plated B : Gold-plated (Note) Note: Socket contacts ed with "A" and plug contacts with "B."
② Type of form/Type of packaging SCF : Socket contact, reel SC : Socket contact, loose piece PCF : Plug contact, reel PC : Plug contact, loose piece	

Single-row socket



[Specification No.]: -**,(**)
 Blank : 100 pcs. per pack
 (40) : 500 pcs. packaging
 (41) : 1000 pcs. packaging



Unit : mm

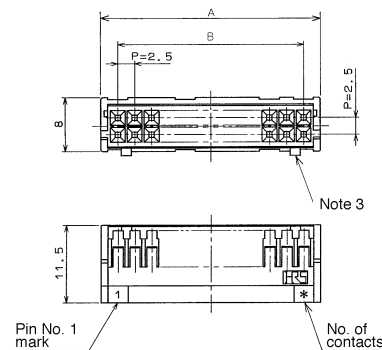
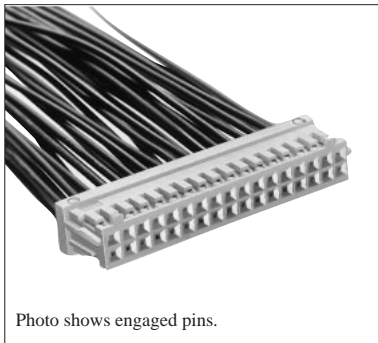
HRS No.	Product No.	No. of contacts	A	B	HRS No.	Product No.	No. of contacts	A	B
541-0200-6-*	DF1B- 2S-2.5R (**)	2	5.0	2.5	541-0209-0-*	DF1B-11S-2.5R (**)	11	27.5	25.0
541-0201-9-*	DF1B- 3S-2.5R (**)	3	7.5	5.0	541-0210-0-*	DF1B-12S-2.5R (**)	12	30.0	27.5
541-0202-1-*	DF1B- 4S-2.5R (**)	4	10.0	7.5	541-0211-2-*	DF1B-13S-2.5R (**)	13	32.5	30.0
541-0203-4-*	DF1B- 5S-2.5R (**)	5	12.5	10.0	541-0212-5-*	DF1B-14S-2.5R (**)	14	35.0	32.5
541-0204-7-*	DF1B- 6S-2.5R (**)	6	15.0	12.5	541-0213-8-*	DF1B-15S-2.5R (**)	15	37.5	35.0
541-0205-0-*	DF1B- 7S-2.5R (**)	7	17.5	15.0	541-0214-0-*	DF1B-16S-2.5R (**)	16	40.0	37.5
541-0206-2-*	DF1B- 8S-2.5R (**)	8	20.0	17.5	541-0215-3-*	DF1B-18S-2.5R (**)	18	45.0	42.5
541-0207-5-*	DF1B- 9S-2.5R (**)	9	22.5	20.0	541-0216-6-*	DF1B-20S-2.5R (**)	20	50.0	47.5
541-0208-8-*	DF1B-10S-2.5R (**)	10	25.0	22.5					

Note 1: Minimum order quantity of the models without a number specified is one pack containing 100 sockets.

Note 2: Models available in (40): 500 pieces per package and (41): 1000 pieces per pack should be ordered in quantity of sockets. Order in multiples of order units, e.g., 500, 1000, 1500,-- .

Note 3: Different from the above drawings, the two-contact models are provided with one projection at the center to prevent misinsertion. Models with 3 to 7 contacts have two projections at both ends.

Double-row socket



[Specification No.]: -**,(**)
 Blank : 100 pcs. per pack
 (40) : 500 pcs. packaging
 (41) : 1000 pcs. packaging



Unit : mm

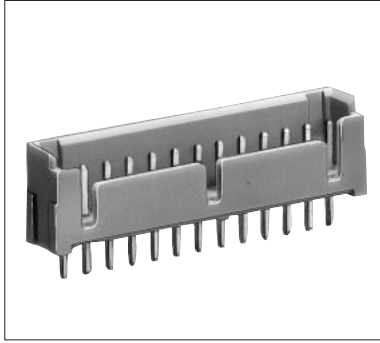
HRS No.	Product No.	No. of contacts	A	B	HRS No.	Product No.	No. of contacts	A	B
541-0648-0-*	DF1B- 4DS-2.5RC (**)	4	7.5	2.5	541-0606-0-*	DF1B-22DS-2.5RC (**)	22	30.0	25.0
541-0649-3-*	DF1B- 6DS-2.5RC (**)	6	10.0	5.0	541-0607-3-*	DF1B-24DS-2.5RC (**)	24	32.5	27.5
541-0650-2-*	DF1B- 8DS-2.5RC (**)	8	12.5	7.5	541-0608-6-*	DF1B-26DS-2.5RC (**)	26	35.0	30.0
541-0600-4-*	DF1B-10DS-2.5RC (**)	10	15.0	10.0	541-0609-9-*	DF1B-28DS-2.5RC (**)	28	37.5	32.5
541-0601-7-*	DF1B-12DS-2.5RC (**)	12	17.5	12.5	541-0610-8-*	DF1B-30DS-2.5RC (**)	30	40.0	35.0
541-0602-0-*	DF1B-14DS-2.5RC (**)	14	20.0	15.0	541-0612-3-*	DF1B-34DS-2.5RC (**)	34	45.0	40.0
541-0603-2-*	DF1B-16DS-2.5RC (**)	16	22.5	17.5	541-0613-6-*	DF1B-36DS-2.5RC (**)	36	47.5	42.5
541-0604-5-*	DF1B-18DS-2.5RC (**)	18	25.0	20.0	541-0615-1-*	DF1B-40DS-2.5RC (**)	40	52.5	47.5
541-0605-8-*	DF1B-20DS-2.5RC (**)	20	27.5	22.5					

Note 1: Minimum order quantity of the models without a number specified is one pack containing 100 sockets.

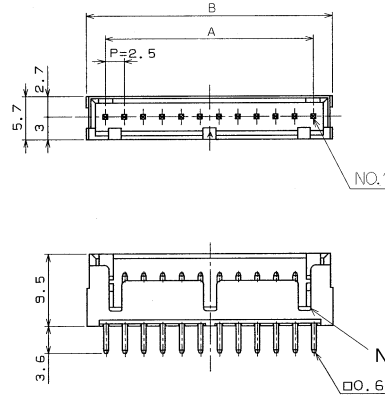
Note 2: Models available in (40): 500 pieces per package and (41): 1000 pieces per pack should be ordered in quantity of sockets. Order in multiples of order units, e.g., 500, 1000, 1500,-- .

Note 3: Different from the above drawings, the four-contact models are provided with one projection at the center to prevent misinsertion.

Single-row straight pin header



● Board through-hole diameter : $\phi 1.1 \pm 0.1$



[Specification No.]: -**,(**)
Blank : Tin-plated
(01) : Gold-plated

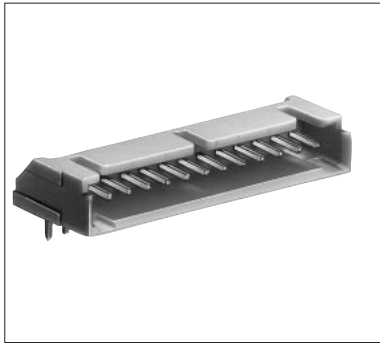
Unit : mm

HRS No.	Product No.		A	B	HRS No.	Product No.		A	B
541-0225-7-**-**	DF1B- 2P-2.5DSA (**)	2	2.5	7.5	541-0234-8-**-**	DF1B-11P-2.5DSA (**)	11	25.0	30.0
541-0226-0-**-**	DF1B- 3P-2.5DSA (**)	3	5.0	10.0	541-0235-0-**-**	DF1B-12P-2.5DSA (**)	12	27.5	32.5
541-0227-2-**-**	DF1B- 4P-2.5DSA (**)	4	7.5	12.5	541-0236-3-**-**	DF1B-13P-2.5DSA (**)	13	30.0	35.0
541-0228-5-**-**	DF1B- 5P-2.5DSA (**)	5	10.0	15.0	541-0237-6-**-**	DF1B-14P-2.5DSA (**)	14	32.5	37.5
541-0229-8-**-**	DF1B- 6P-2.5DSA (**)	6	12.5	17.5	541-0238-9-**-**	DF1B-15P-2.5DSA (**)	15	35.0	40.0
541-0230-7-**-**	DF1B- 7P-2.5DSA (**)	7	15.0	20.0	541-0239-1-**-**	DF1B-16P-2.5DSA (**)	16	37.5	42.5
541-0231-0-**-**	DF1B- 8P-2.5DSA (**)	8	17.5	22.5	541-0240-0-**-**	DF1B-18P-2.5DSA (**)	18	42.5	47.5
541-0232-2-**-**	DF1B- 9P-2.5DSA (**)	9	20.0	25.0	541-0241-3-**-**	DF1B-20P-2.5DSA (**)	20	47.5	52.5
541-0233-5-**-**	DF1B-10P-2.5DSA (**)	10	22.5	27.5					

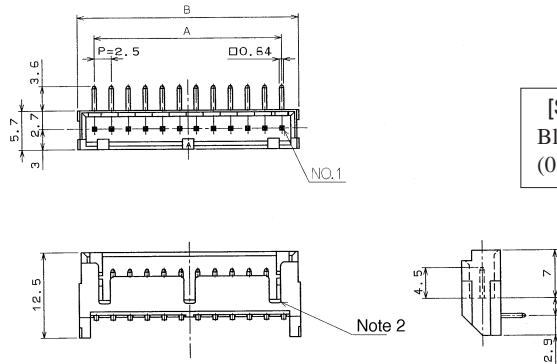
Note 1: Minimum order quantity of the models without a number specified is one pack containing 100 sockets.

Note 2: Different from the above drawings, models with 2 or 3 contacts are provided with one recess at the center to prevent misinsertion. Models with 4 to 7 contacts have two recesses at both ends.

Single-row right-angle pin header



● Board through-hole diameter : $\phi 1.1 \pm 0.1$



[Specification No.]: -**,(**)
Blank : Tin-plated
(01) : Gold-plated

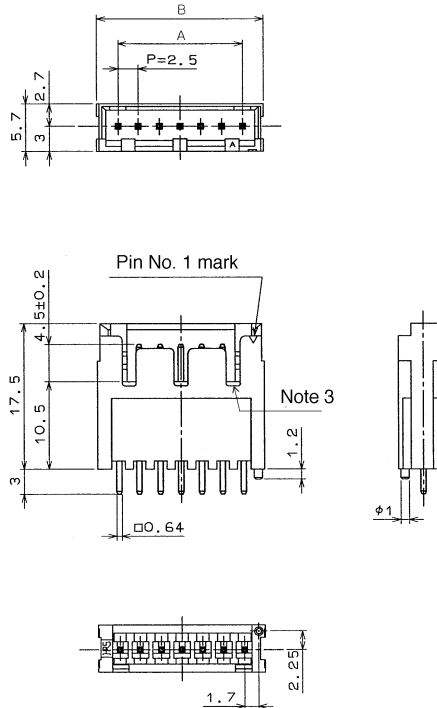
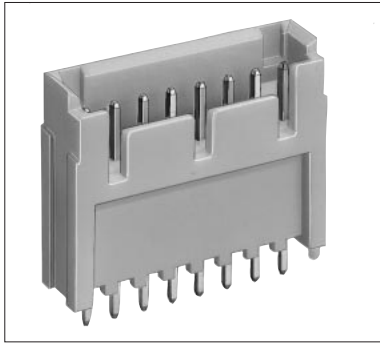
Unit : mm

HRS No.	Product No.	No. of contacts	A	B	HRS No.	Product No.	No. of contacts	A	B
541-0242-6-**-**	DF1B- 2P-2.5DS (**)	2	2.5	7.5	541-0251-7-**-**	DF1B-11P-2.5DS (**)	11	25.0	30.0
541-0243-9-**-**	DF1B- 3P-2.5DS (**)	3	5.0	10.0	541-0252-0-**-**	DF1B-12P-2.5DS (**)	12	27.5	32.5
541-0244-1-**-**	DF1B- 4P-2.5DS (**)	4	7.5	12.5	541-0253-2-**-**	DF1B-13P-2.5DS (**)	13	30.0	35.0
541-0245-4-**-**	DF1B- 5P-2.5DS (**)	5	10.0	15.0	541-0254-5-**-**	DF1B-14P-2.5DS (**)	14	32.5	37.5
541-0246-7-**-**	DF1B- 6P-2.5DS (**)	6	12.5	17.5	541-0255-8-**-**	DF1B-15P-2.5DS (**)	15	35.0	40.0
541-0247-0-**-**	DF1B- 7P-2.5DS (**)	7	15.0	20.0	541-0256-0-**-**	DF1B-16P-2.5DS (**)	16	37.5	42.5
541-0248-2-**-**	DF1B- 8P-2.5DS (**)	8	17.5	22.5	541-0257-3-**-**	DF1B-18P-2.5DS (**)	18	42.5	47.5
541-0249-5-**-**	DF1B- 9P-2.5DS (**)	9	20.0	25.0	541-0258-6-**-**	DF1B-20P-2.5DS (**)	20	47.5	52.5
541-0250-4-**-**	DF1B-10P-2.5DS (**)	10	22.5	27.5					

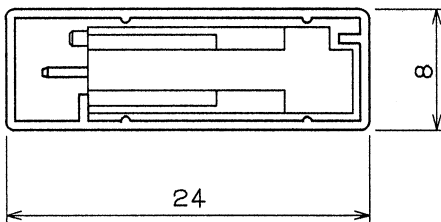
Note 1: Minimum order quantity of the models without a number specified is one pack containing 100 sockets.

Note 2: Different from the above drawings, models with 2 or 3 contacts are provided with one recess at the center to prevent misinsertion. Models with 4 to 7 contacts have two recesses at both ends.

Single-Row straight pin header compatible with potting



Magazine dimension drawing



Unit : mm

HRS No.	Product No.	No. of contacts	A	B	No. of products in a magazine
541-0800-3-*	DF1BD- 2P-2.5DSA (**)	2	2.5	7.5	64
541-0801-6-*	DF1BD- 3P-2.5DSA (**)	3	5.0	10.0	48
541-0802-9-*	DF1BD- 4P-2.5DSA (**)	4	7.5	12.5	38
541-0803-1-*	DF1BD- 5P-2.5DSA (**)	5	10.0	15.0	32
541-0804-4-*	DF1BD- 6P-2.5DSA (**)	6	12.5	17.5	27
541-0805-7-*	DF1BD- 7P-2.5DSA (**)	7	15.0	20.0	24
541-0806-0-*	DF1BD- 8P-2.5DSA (**)	8	17.5	22.5	21
541-0807-2-*	DF1BD- 9P-2.5DSA (**)	9	20.0	25.0	19
541-0808-5-*	DF1BD-10P-2.5DSA (**)	10	22.5	27.5	17

● Board positioning boss hole diameter : $\phi 1.1 \pm 0.1$

● Board through-hole diameter : $\phi 1.1 \pm 0.1$

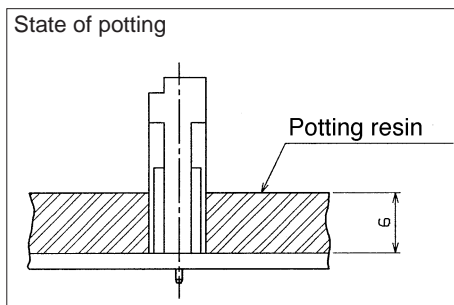
[Specification No.]: -**, (**)
 Blank : Tin-plated
 (20) : Tin-plated, magazine packaging

Note 1: Minimum order quantity of the models without a number specified is one pack containing 100 sockets.

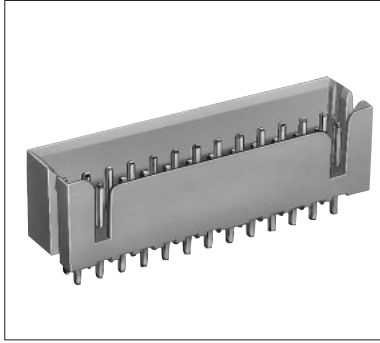
Note 2: Order magazine packaged sockets in multiples of the amount contained in a magazine.

Note 3: Different from the above drawings, models with 2 or 3 contacts are provided with one recess at the center to prevent misinsertion. Models with 4 to 7 contacts have two recesses at both ends.

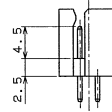
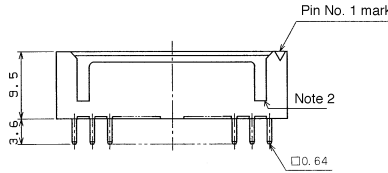
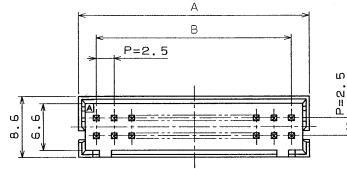
Applicable potting thickness 6mm



Double-row straight pin header



● Board through-hole diameter : $\phi 1.1 \pm 0.1$



[Specification No.]: -**, (**)
Blank : Tin-plated
(01) : Gold-plated

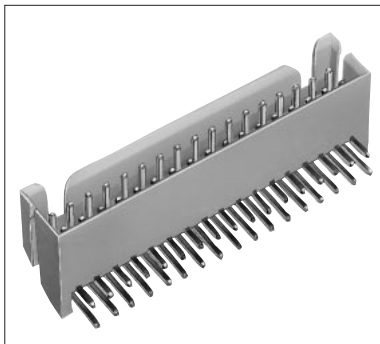
Unit : mm

HRS No.	Product No.	No. of contacts	A	B	HRS No.	Product No.	No. of contacts	A	B
541-0651-5-**-**	DF1B- 4DP-2.5DSA (**)	4	7.5	2.5	541-0621-4-**-**	DF1B-20DP-2.5DSA (**)	20	27.5	22.5
541-0652-8-**-**	DF1B- 6DP-2.5DSA (**)	6	10.0	5.0	541-0622-7-**-**	DF1B-22DP-2.5DSA (**)	22	30.0	25.0
541-0653-0-**-**	DF1B- 8DP-2.5DSA (**)	8	12.5	7.5	541-0623-0-**-**	DF1B-24DP-2.5DSA (**)	24	32.5	27.5
541-0616-4-**-**	DF1B-10DP-2.5DSA (**)	10	15.0	10.0	541-0624-2-**-**	DF1B-26DP-2.5DSA (**)	26	35.0	30.0
541-0617-7-**-**	DF1B-12DP-2.5DSA (**)	12	17.5	12.5	541-0625-5-**-**	DF1B-28DP-2.5DSA (**)	28	37.5	32.5
541-0618-0-**-**	DF1B-14DP-2.5DSA (**)	14	20.0	15.0	541-0626-8-**-**	DF1B-30DP-2.5DSA (**)	30	40.0	35.0
541-0619-2-**-**	DF1B-16DP-2.5DSA (**)	16	22.5	17.5	541-0628-3-**-**	DF1B-34DP-2.5DSA (**)	34	45.0	40.0
541-0620-1-**-**	DF1B-18DP-2.5DSA (**)	18	25.0	20.0	541-0631-8-**-**	DF1B-40DP-2.5DSA (**)	40	52.5	47.5

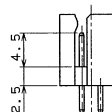
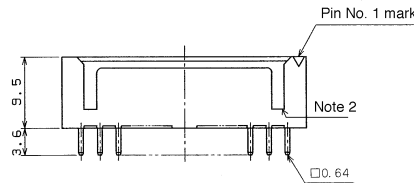
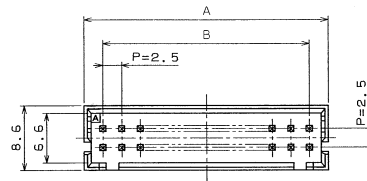
Note 1: Minimum order quantity of the models without a number specified is one pack containing 100 sockets.

Note 2: Different from the above drawings, models with 4 or 6 contacts are provided with one recess at the center to prevent misinsertion.

Double-row right angle pin header



● Board through-hole diameter : $\phi 1.1 \pm 0.1$



[Specification No.]: -**, (**)
Blank : Tin-plated
(01) : Gold-plated

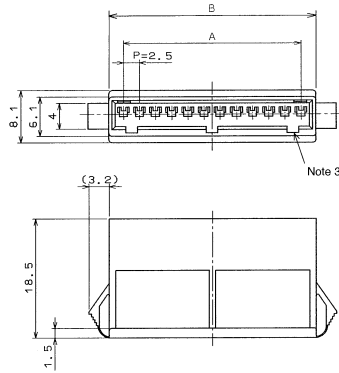
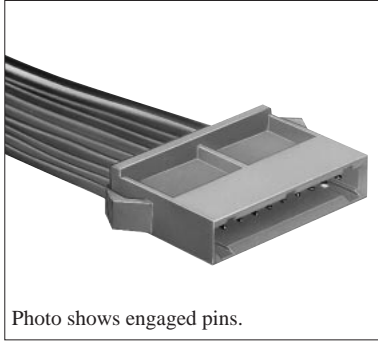
Unit : mm

HRS No.	Product No.	No. of contacts	A	B	HRS No.	Product No.	No. of contacts	A	B
541-0654-3-**-**	DF1B- 4DP-2.5DS (**)	4	7.5	2.5	541-0638-7-**-**	DF1B-22DP-2.5DS (**)	22	30.0	25.0
541-0655-6-**-**	DF1B- 6DP-2.5DS (**)	6	10.0	5.0	541-0639-0-**-**	DF1B-24DP-2.5DS (**)	24	32.5	27.5
541-0656-9-**-**	DF1B- 8DP-2.5DS (**)	8	12.5	7.5	541-0640-9-**-**	DF1B-26DP-2.5DS (**)	26	35.0	30.0
541-0632-0-**-**	DF1B-10DP-2.5DS (**)	10	15.0	10.0	541-0641-1-**-**	DF1B-28DP-2.5DS (**)	28	37.5	32.5
541-0633-3-**-**	DF1B-12DP-2.5DS (**)	12	17.5	12.5	541-0642-4-**-**	DF1B-30DP-2.5DS (**)	30	40.0	35.0
541-0634-6-**-**	DF1B-14DP-2.5DS (**)	14	20.0	15.0	541-0644-0-**-**	DF1B-34DP-2.5DS (**)	34	45.0	40.0
541-0635-9-**-**	DF1B-16DP-2.5DS (**)	16	22.5	17.5	541-0645-2-**-**	DF1B-36DP-2.5DS (**)	36	47.5	42.5
541-0636-1-**-**	DF1B-18DP-2.5DS (**)	18	25.0	20.0	541-0647-8-**-**	DF1B-40DP-2.5DS (**)	40	52.5	47.5
541-0637-4-**-**	DF1B-20DP-2.5DS (**)	20	27.5	22.5					

Note 1: Minimum order quantity of the models without a number specified is one pack containing 100 sockets.

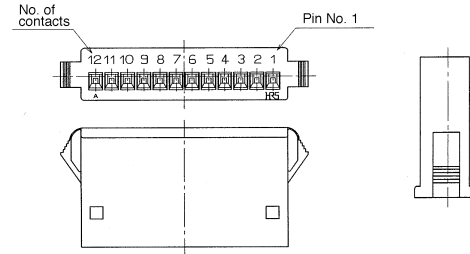
Note 2: Different from the above drawings, models with 4 or 6 contacts are provided with one recess at the center to prevent misinsertion.

Single-Row Extension Plug (Simple Lock Type)



●Applicable socket : DF1B-*S-2.5R

[Specification No.]: -**,(**)
 Blank : 100 pcs. per pack
 (40) : 500 pcs. packaging
 (41) : 1000 pcs. packaging



Unit : mm

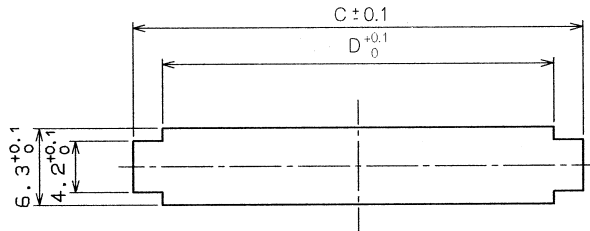
HRS No.	Product No.	No. of contacts	A	B	HRS No.	Product No.	No. of contacts	A	B
541-0700-9-*	DF1BA- 2EP-2.5RC (**)	2	2.5	7.1	541-0706-5-*	DF1BA- 8EP-2.5RC (**)	8	17.5	22.1
541-0701-1-*	DF1BA- 3EP-2.5RC (**)	3	5.0	9.6	541-0707-8-*	DF1BA- 9EP-2.5RC (**)	9	20.0	24.6
541-0702-4-*	DF1BA- 4EP-2.5RC (**)	4	7.5	12.1	541-0708-0-*	DF1BA-10EP-2.5RC (**)	10	22.5	27.1
541-0703-7-*	DF1BA- 5EP-2.5RC (**)	5	10.0	14.6	541-0709-3-*	DF1BA-11EP-2.5RC (**)	11	25.0	29.6
541-0704-0-*	DF1BA- 6EP-2.5RC (**)	6	12.5	17.1	541-0710-2-*	DF1BA-12EP-2.5RC (**)	12	27.5	32.1
541-0705-2-*	DF1BA- 7EP-2.5RC (**)	7	15.0	19.6	541-0711-5-*	DF1BA-13EP-2.5RC (**)	13	30.0	34.6

Note 1: Minimum order quantity of the models without a number specified is one pack containing 100 sockets.

Note 2: Models available in (40): 500 pieces per package and (41): 1000 pieces per pack should be ordered in quantity of sockets. Order in multiples of order units, e.g., 500, 1000, 1500,-- .

Note 3: Different from the above drawings, the two-contact models are provided with one projection at the center to prevent misinsertion. Models with 3 to 7 contacts have two projections at both ends.

Single-Row Extension Plug Panel cutout dimensions



Unit : mm

Applicable plug	No. of contact	C			D
		Panel thickness (Note 1)			
		0.5~1.2	1.3~1.6	1.7~2.0	
DF1BA- 2EP-2.5RC (**)	2	11.2	11.9	12.6	7.3
DF1BA- 3EP-2.5RC (**)	3	13.7	14.4	15.1	9.8
DF1BA- 4EP-2.5RC (**)	4	16.2	16.9	17.6	12.3
DF1BA- 5EP-2.5RC (**)	5	18.7	19.4	20.1	14.8
DF1BA- 6EP-2.5RC (**)	6	21.2	21.9	22.6	17.3
DF1BA- 7EP-2.5RC (**)	7	23.7	24.4	25.1	19.8
DF1BA- 8EP-2.5RC (**)	8	26.2	26.9	27.6	22.3
DF1BA- 9EP-2.5RC (**)	9	28.7	29.4	30.1	24.8
DF1BA-10EP-2.5RC (**)	10	31.2	31.9	32.6	27.3
DF1BA-11EP-2.5RC (**)	11	33.7	34.4	35.1	29.8
DF1BA-12EP-2.5RC (**)	12	36.2	36.9	37.6	32.3
DF1BA-13EP-2.5RC (**)	13	38.7	39.4	40.1	34.8

Note 1: The dimension (C) of the mounting hole varies depending on the panel thickness.

Note 2: The mounting hole must be free from burrs.

Double-Row extension plug (Simple lock type)

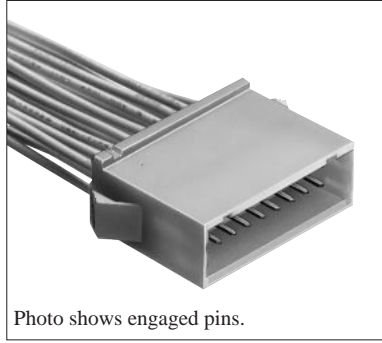
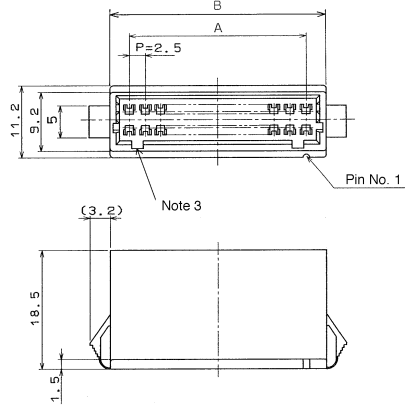
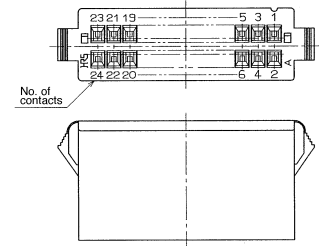


Photo shows engaged pins.



●Applicable socket : DF1B-*DS-2.5RC

[Specification No.]: -**,(**)
 Blank : 100 pcs. per pack
 (40) : 500 pcs. packaging
 (41) : 1000 pcs. packaging



Unit : mm

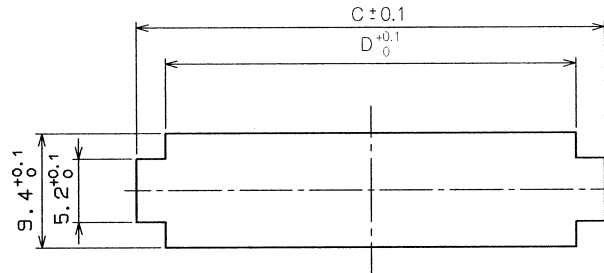
HRS No.	Product No.	No. of contacts	A	B	HRS No.	Product No.	No. of contacts	A	B
541-0719-7-**	DF1BA- 4DEP-2.5RC (**)	4	2.5	8.6	541-0727-5-**	DF1BA-20DEP-2.5RC (**)	20	22.5	28.6
541-0720-6-**	DF1BA- 6DEP-2.5RC (**)	6	5.0	11.1	541-0728-8-**	DF1BA-22DEP-2.5RC (**)	22	25.0	31.1
541-0721-9-**	DF1BA- 8DEP-2.5RC (**)	8	7.5	13.6	541-0729-0-**	DF1BA-24DEP-2.5RC (**)	24	27.5	33.6
541-0722-1-**	DF1BA-10DEP-2.5RC (**)	10	10.0	16.1	541-0730-0-**	DF1BA-26DEP-2.5RC (**)	26	30.0	36.1
541-0723-4-**	DF1BA-12DEP-2.5RC (**)	12	12.5	18.6	541-0731-2-**	DF1BA-28DEP-2.5RC (**)	28	32.5	38.6
541-0724-7-**	DF1BA-14DEP-2.5RC (**)	14	15.0	21.1	541-0732-5-**	DF1BA-30DEP-2.5RC (**)	30	35.0	41.1
541-0725-0-**	DF1BA-16DEP-2.5RC (**)	16	17.5	23.6	541-0734-0-**	DF1BA-34DEP-2.5RC (**)	34	40.0	46.1
541-0726-2-**	DF1BA-18DEP-2.5RC (**)	18	20.0	26.1					

Note 1: Minimum order quantity of the models without a number specified is one pack containing 100 sockets.

Note 2: Models available in (40): 500 pieces per package and (41): 1000 pieces per pack should be ordered in quantity of sockets. Order in multiples of order units, e.g., 500, 1000, 1500,-- .

Note 3: Different from the above drawings, the four-contact models are provided with one projection at the center to prevent misinsertion.

Double-Row extension plug Panel cutout dimensions



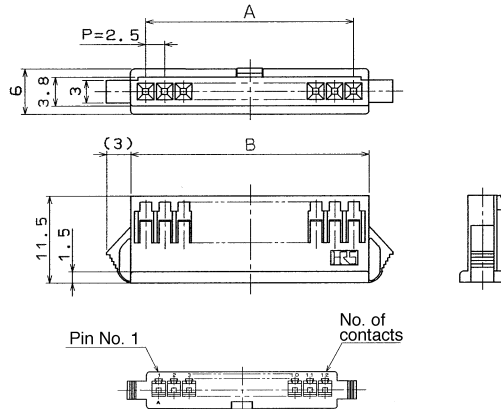
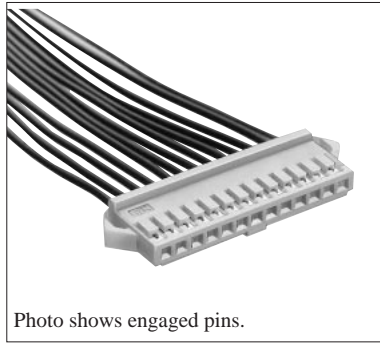
Unit : mm

Applicable plug	No. of contact	C			D
		Panel thickness (Note 1)			
		0.5~1.2	1.3~1.6	1.7~2.0	
DF1BA- 4DEP-2.5RC (**)	4	12.7	13.4	14.1	8.8
DF1BA- 6DEP-2.5RC (**)	6	15.2	15.9	16.6	11.3
DF1BA- 8DEP-2.5RC (**)	8	17.7	18.4	19.1	13.8
DF1BA-10DEP-2.5RC (**)	10	20.2	20.9	21.6	16.3
DF1BA-12DEP-2.5RC (**)	12	22.7	23.4	24.1	18.8
DF1BA-14DEP-2.5RC (**)	14	25.2	25.9	26.6	21.3
DF1BA-16DEP-2.5RC (**)	16	27.7	28.4	29.1	23.8
DF1BA-18DEP-2.5RC (**)	18	30.2	30.9	31.6	26.3
DF1BA-20DEP-2.5RC (**)	20	32.7	33.4	34.1	28.8
DF1BA-22DEP-2.5RC (**)	22	35.2	35.9	36.6	31.3
DF1BA-24DEP-2.5RC (**)	24	37.7	38.4	39.1	33.8
DF1BA-26DEP-2.5RC (**)	26	40.2	40.9	41.6	36.3
DF1BA-28DEP-2.5RC (**)	28	42.7	43.4	44.1	38.8
DF1BA-30DEP-2.5RC (**)	30	45.2	45.9	46.6	41.3
DF1BA-34DEP-2.5RC (**)	34	50.2	50.9	51.6	46.3

Note 1: The dimension (C) of the mounting hole varies depending on the panel thickness.

Note 2: The mounting hole must be free from burrs.

Single-Row extension plug (Complete lock type)



●Applicable plug : DF1B-*EP-2.5RC

[Specification No.]: -**,(**)
 Blank : 100 pcs. per pack
 (40) : 500 pcs. packaging
 (41) : 1000 pcs. packaging

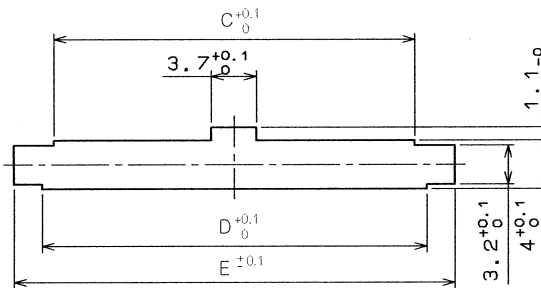
Unit : mm

HRS No.	Product No.	No. of contacts	A	B	HRS No.	Product No.	No. of contacts	A	B
541-0320-8-**-	DF1B- 2ES-2.5RC (**)	2	2.5	6.5	541-0326-4-**-	DF1B- 8ES-2.5RC (**)	8	17.5	21.5
541-0321-0-**-	DF1B- 3ES-2.5RC (**)	3	5.0	9.0	541-0327-7-**-	DF1B- 9ES-2.5RC (**)	9	20.0	24.0
541-0322-3-**-	DF1B- 4ES-2.5RC (**)	4	7.5	11.5	541-0328-0-**-	DF1B-10ES-2.5RC (**)	10	22.5	26.5
541-0323-6-**-	DF1B- 5ES-2.5RC (**)	5	10.0	14.0	541-0329-2-**-	DF1B-11ES-2.5RC (**)	11	25.0	29.0
541-0324-9-**-	DF1B- 6ES-2.5RC (**)	6	12.5	16.5	541-0330-1-**-	DF1B-12ES-2.5RC (**)	12	27.5	31.5
541-0325-1-**-	DF1B- 7ES-2.5RC (**)	7	15.0	19.0	541-0331-4-**-	DF1B-13ES-2.5RC (**)	13	30.0	34.0

Note 1: Minimum order quantity of the models without a number specified is one pack containing 100 sockets.

Note 2: Models available in (40): 500 pieces per package and (41): 1000 pieces per pack should be ordered in quantity of sockets. Order in multiples of order units, e.g., 500, 1000, 1500,-- .

Single-Row extension plug Panel cutout dimensions



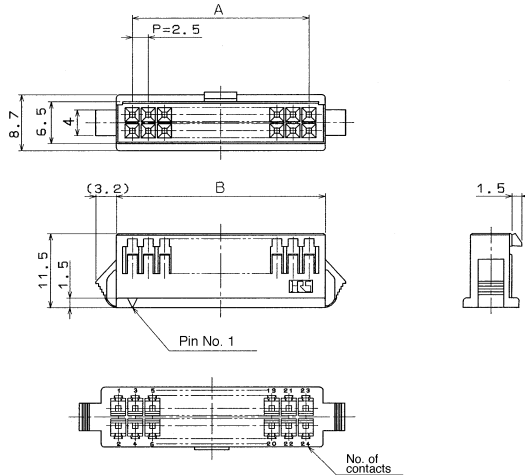
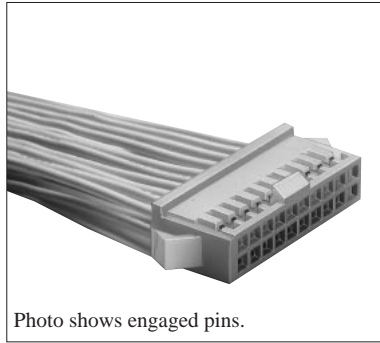
Unit : mm

Applicable plug	No. of contact	C	D	E		
				Panel thickness (Note 1)		
				0.5~1.2	1.3~1.6	1.7~2.0
DF1B- 2ES-2.5RC (**)	2	4.7	6.7	10.8	11.3	12.0
DF1B- 3ES-2.5RC (**)	3	7.2	9.2	13.3	13.8	14.5
DF1B- 4ES-2.5RC (**)	4	9.7	11.7	15.8	16.3	17.0
DF1B- 5ES-2.5RC (**)	5	12.2	14.2	18.3	18.8	19.5
DF1B- 6ES-2.5RC (**)	6	14.7	16.7	20.8	21.3	22.0
DF1B- 7ES-2.5RC (**)	7	17.2	19.2	23.3	23.8	24.5
DF1B- 8ES-2.5RC (**)	8	19.7	21.7	25.8	26.3	27.0
DF1B- 9ES-2.5RC (**)	9	22.2	24.2	28.3	28.8	29.5
DF1B-10ES-2.5RC (**)	10	24.7	26.7	30.8	31.3	32.0
DF1B-11ES-2.5RC (**)	11	27.2	29.2	33.3	33.8	34.5
DF1B-12ES-2.5RC (**)	12	29.7	31.7	35.8	36.3	37.0
DF1B-13ES-2.5RC (**)	13	32.2	34.2	38.3	38.8	39.5

Note 1: The dimension (E) of the mounting hole varies depending on the panel thickness.

Note 2: The mounting hole must be free from burrs.

Double-Row extension plug (Complete lock type)



●Applicable plug : DF1B-*DEP-2.5RC
 [Specification No.]: -**,(**)
 Blank : 100 pcs. per pack
 (40) : 500 pcs. packaging
 (41) : 1000 pcs. packaging

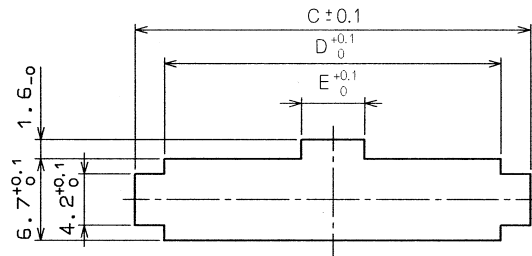
Unit : mm

HRS No.	Product No.	No. of contacts	A	B	HRS No.	Product No.	No. of contacts	A	B
541-0351-1-*	DF1B-10DES-2.5RC (**)	10	10.0	15.0	541-0357-8-*	DF1B-24DES-2.5RC (**)	24	27.5	32.5
541-0352-4-*	DF1B-12DES-2.5RC (**)	12	12.5	17.5	541-0358-0-*	DF1B-26DES-2.5RC (**)	26	30.0	35.0
541-0353-7-*	DF1B-14DES-2.5RC (**)	14	15.0	20.0	541-0359-3-*	DF1B-28DES-2.5RC (**)	28	32.5	37.5
541-0354-0-*	DF1B-16DES-2.5RC (**)	16	17.5	22.5	541-0360-2-*	DF1B-30DES-2.5RC (**)	30	35.0	40.0
541-0346-1-*	DF1B-18DES-2.5RC (**)	18	20.0	25.0	541-0361-5-*	DF1B-32DES-2.5RC (**)	32	37.5	42.5
541-0355-2-*	DF1B-20DES-2.5RC (**)	20	22.5	27.5	541-0362-8-*	DF1B-34DES-2.5RC (**)	34	40.0	45.0
541-0356-5-*	DF1B-22DES-2.5RC (**)	22	25.0	30.0					

Note 1: Minimum order quantity of the models without a number specified is one pack containing 100 sockets.

Note 2: Models available in (40): 500 pieces per package and (41): 1000 pieces per pack should be ordered in quantity of sockets. Order in multiples of order units, e.g., 500, 1000, 1500,-- .

Double-Row extension plug Panel cutout dimensions



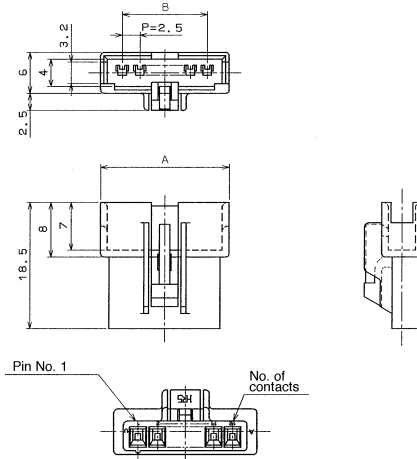
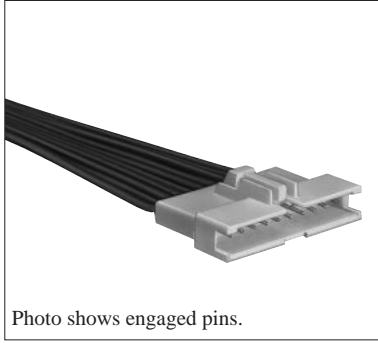
Unit : mm

Applicable plug	No. of contact	C			D	E
		Panel thickness (Note 1)				
		0.5~1.2	1.3~1.6	1.7~2.0		
DF1B-10DES-2.5RC (**)	10	19.1	19.8	20.5	15.2	3.7
DF1B-12DES-2.5RC (**)	12	21.6	22.3	23.0	17.7	3.7
DF1B-14DES-2.5RC (**)	14	24.1	24.8	25.5	20.2	3.7
DF1B-16DES-2.5RC (**)	16	26.6	27.3	28.0	22.7	3.7
DF1B-18DES-2.5RC (**)	18	29.1	29.8	30.5	25.2	3.7
DF1B-20DES-2.5RC (**)	20	31.6	32.3	33.0	27.7	5.2
DF1B-22DES-2.5RC (**)	22	34.1	34.8	35.5	30.2	5.2
DF1B-24DES-2.5RC (**)	24	36.6	37.3	38.0	32.7	5.2
DF1B-26DES-2.5RC (**)	26	39.1	39.8	40.5	35.2	5.2
DF1B-28DES-2.5RC (**)	28	41.6	42.3	43.0	37.7	5.2
DF1B-30DES-2.5RC (**)	30	44.1	44.8	45.5	40.2	5.2
DF1B-32DES-2.5RC (**)	32	46.6	47.3	48.0	42.7	5.2
DF1B-34DES-2.5RC (**)	34	49.1	49.8	50.5	45.2	5.2

Note 1: The dimension (C) of the mounting hole varies depending on the panel thickness.

Note 2: The mounting hole must be free from burrs.

Single-Row extension plug (Complete lock type)



● Applicable socket : DF1B-*ES-2.5RC

[Specification No.]: -**,(**)
 Blank : 100 pcs. per pack
 (40) : 500 pcs. packaging
 (41) : 1000 pcs. packaging

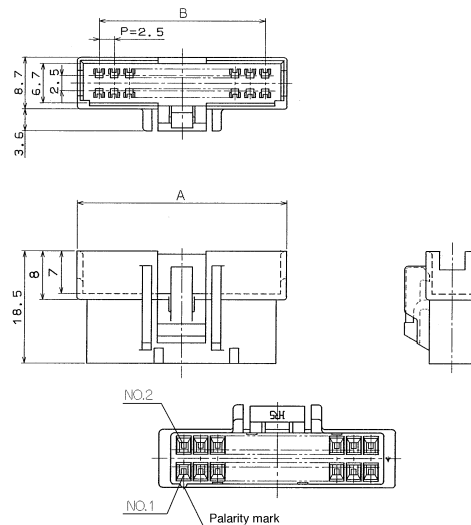
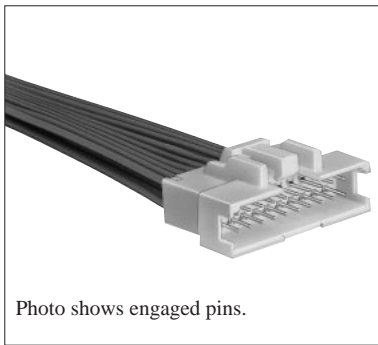
Unit : mm

HRS No.	Product No.	No. of contacts	A	B	HRS No.	Product No.	No. of contacts	A	B
541-0332-7-**	DF1B- 2EP-2.5RC (**)	2	8.9	2.5	541-0338-3-**	DF1B- 8EP-2.5RC (**)	8	23.9	17.5
541-0333-0-**	DF1B- 3EP-2.5RC (**)	3	11.4	5.0	541-0339-6-**	DF1B- 9EP-2.5RC (**)	9	26.4	20.0
541-0334-2-**	DF1B- 4EP-2.5RC (**)	4	13.9	7.5	541-0340-5-**	DF1B-10EP-2.5RC (**)	10	28.9	22.5
541-0335-5-**	DF1B- 5EP-2.5RC (**)	5	16.4	10.0	541-0341-8-**	DF1B-11EP-2.5RC (**)	11	31.4	25.0
541-0336-8-**	DF1B- 6EP-2.5RC (**)	6	18.9	12.5	541-0342-0-**	DF1B-12EP-2.5RC (**)	12	33.9	27.5
541-0337-0-**	DF1B- 7EP-2.5RC (**)	7	21.4	15.0	541-0343-3-**	DF1B-13EP-2.5RC (**)	13	36.4	30.0

Note 1: Minimum order quantity of the models without a number specified is one pack containing 100 sockets.

Note 2: Models available in (40): 500 pieces per package and (41): 1000 pieces per pack should be ordered in quantity of sockets. Order in multiples of order units, e.g., 500, 1000, 1500,-- .

Double-Row extension plug (Complete lock type)



● Applicable socket : DF1B-*DES-2.5RC

[Specification No.]: -**,(**)
 Blank : 100 pcs. per pack
 (40) : 500 pcs. packaging
 (41) : 1000 pcs. packaging

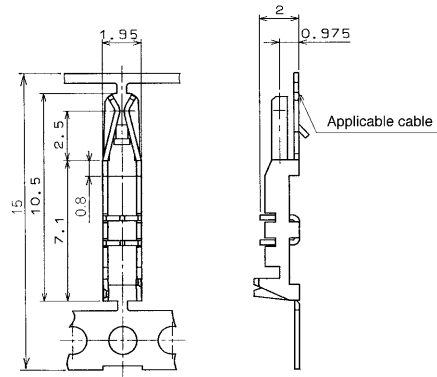
Unit : mm

HRS No.	Product No.	No. of contacts	A	B	HRS No.	Product No.	No. of contacts	A	B
541-0366-9-**	DF1B-10DEP-2.5RC (**)	10	17.2	10.0	541-0372-1-**	DF1B-24DEP-2.5RC (**)	24	34.7	27.5
541-0367-1-**	DF1B-12DEP-2.5RC (**)	12	19.7	12.5	541-0373-4-**	DF1B-26DEP-2.5RC (**)	26	37.2	30.0
541-0368-4-**	DF1B-14DEP-2.5RC (**)	14	22.2	15.0	541-0374-7-**	DF1B-28DEP-2.5RC (**)	28	39.7	32.5
541-0369-7-**	DF1B-16DEP-2.5RC (**)	16	24.7	17.5	541-0375-0-**	DF1B-30DEP-2.5RC (**)	30	42.2	35.0
541-0350-9-**	DF1B-18DEP-2.5RC (**)	18	27.2	20.0	541-0376-2-**	DF1B-32DEP-2.5RC (**)	32	44.7	37.5
541-0370-6-**	DF1B-20DEP-2.5RC (**)	20	29.7	22.5	541-0377-5-**	DF1B-34DEP-2.5RC (**)	34	47.2	40.0
541-0371-9-**	DF1B-22DEP-2.5RC (**)	22	32.2	25.0					

Note 1: Minimum order quantity of the models without a number specified is one pack containing 100 sockets.

Note 2: Models available in (40): 500 pieces per package and (41): 1000 pieces per pack should be ordered in quantity of sockets. Order in multiples of order units, e.g., 500, 1000, 1500,-- .

■ Insulation displacement terminals for sockets



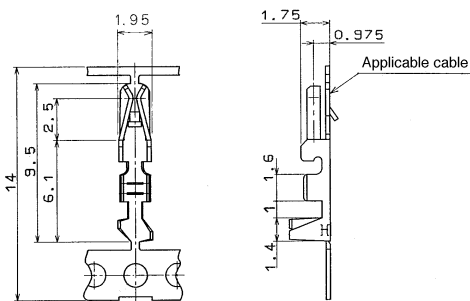
HRS No.	Product No.	Applicable cable No.	Applicable cable				Type	Quantity	Processing	
			AWG	UL Style	Core construction	Coating diameter				
541-0217-9	DF1B-R24F	24	AWG 24	1061	11 core/0.16mm	0.9~1.39mm	Reel terminal	10,000 units per reel	Tin-plated	
541-0220-3	DF1B-R24			1007	7 core/0.16mm		Loose piece terminal	100 pcs. per pack		
541-0218-1	DF1B-R26F	26	AWG 26	1061	7 core/0.16mm	0.9~1.39mm	Reel terminal	10,000 units per reel		
541-0221-6	DF1B-R26			1007			Loose piece terminal	100 pcs. per pack		
541-0219-4	DF1B-R28F	28	AWG 28	1061	7 core/0.127mm	0.9~1.39mm	Reel terminal	10,000 units per reel		
541-0222-9	DF1B-R28			1007			Loose piece terminal	100 pcs. per pack		
541-0261-0	DF1B-R24FA	24	AWG 24	1061	11 core/0.16mm	0.9~1.39mm	Reel terminal	10,000 units per reel		Gold-plated
541-0264-9	DF1B-R24A						1007	Loose piece terminal		
541-0262-3	DF1B-R26FA	26	AWG 26	1061	7 core/0.16mm	0.9~1.39mm	Reel terminal	10,000 units per reel		
541-0265-1	DF1B-R26A						1007	Loose piece terminal	100 pcs. per pack	
541-0263-6	DF1B-R28FA	28	AWG 28	1061	7 core/0.127mm	0.9~1.39mm	Reel terminal	10,000 units per reel		
541-0266-4	DF1B-R28A						1007	Loose piece terminal	100 pcs. per pack	

● Model DF-C-PO(A) insulation displacement terminal extraction tool

Note 1: The conductors in the applicable cables are tin-plated annealed copper wires.

Note 2: Contact our sales department for unspecified wires.

■ Crimp terminal for socket



● Applicable wire (Tin-plated annealed copper wire)

● Recommended wire
UL1061, UL1007

Conductor size (core construction)
AWG 20 (21 cores/0.18mm)
AWG 22 (17 cores/0.16mm)
AWG 24 (11 cores/0.16mm)
AWG 26 (7 cores/0.16mm)
AWG 28 (7 cores/0.127mm)
AWG 30 (7 cores/0.1mm)

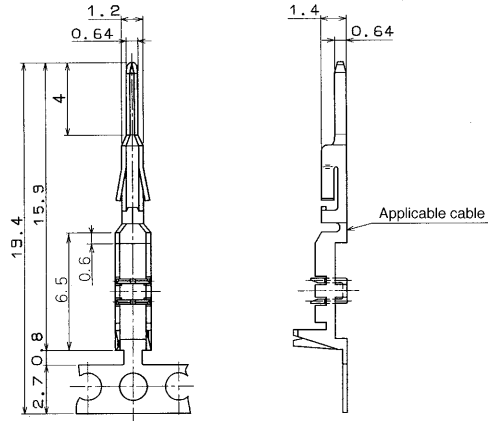
● Strip length
2.0~2.5mm

Note : Contact our sales department for unspecified wires.

HRS No.	Product No.	Applicable cable No.	Applicable cable		Type	Quantity	Processing	
			AWG	Coating dia.				
541-0223-1	DF1B-2022SCF	20	AWG 20~	1.2~1.9mm	Reel terminal	10,000 units per reel	Tin-plated	
541-0224-4	DF1B-2022SC	22	AWG 22		Loose piece terminal	100 pcs. per pack		
541-0678-1	DF1B-2428SCF	24	AWG 24~	0.9~1.5mm	Reel terminal	10,000 units per reel		
541-0679-4	DF1B-2428SC	28	AWG 28		Loose piece terminal	100 pcs. per pack		
541-0682-9	DF1B-30SCF	30	AWG 30	0.6~1.2mm	Reel terminal	10,000 units per reel		
541-0683-1	DF1B-30SC				Loose piece terminal	100 pcs. per pack		
541-0662-1	DF1B-2022SCFA	20	AWG 20~	1.2~1.9mm	Reel terminal	10,000 units per reel		Gold-plated
541-0663-4	DF1B-2022SCA	22	AWG 22		Loose piece terminal	100 pcs. per pack		
541-0680-3	DF1B-2428SCFA	24	AWG 24~	0.9~1.5mm	Reel terminal	10,000 units per reel		
541-0681-6	DF1B-2428SCA	28	AWG 28		Loose piece terminal	100 pcs. per pack		
541-0684-4	DF1B-30SCFA	30	AWG 30	0.6~1.2mm	Reel terminal	10,000 units per reel		
541-0685-7	DF1B-30SCA				Loose piece terminal	100 pcs. per pack		

● Model DF-C-PO(B) insulation displacement terminal extraction tool

Insulation displacement terminals for plug



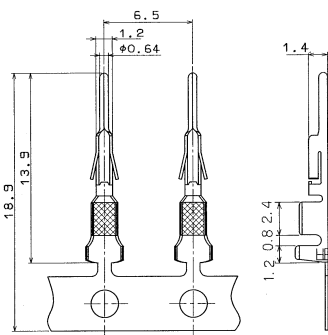
HRS No.	Product No.	Applicable cable No.	Applicable cable				Type	Quantity	Processing
			AWG	UL Style	Core construction	Coating diameter			
541-0666-2	DF1B-24PRF	24	AWG 24	1061	11 cores/0.16mm	0.9~1.39mm	Reel terminal	10,000 units per reel	Tin-plated
541-0667-5	DF1B-24PR			1007	7 cores/0.16mm		Loose piece terminal	100 pcs. per pack	
541-0668-8	DF1B-26PRF	26	AWG 26	1061	7 cores/0.16mm	0.9~1.39mm	Reel terminal	10,000 units per reel	
541-0669-0	DF1B-26PR			1007	7 cores/0.127mm		Loose piece terminal	100 pcs. per pack	
541-0670-0	DF1B-28PRF	28	AWG 28	1061	7 cores/0.127mm	0.9~1.39mm	Reel terminal	10,000 units per reel	
541-0671-2	DF1B-28PR			1007	7 cores/0.127mm		Loose piece terminal	100 pcs. per pack	
541-0672-5	DF1B-24PRFB	24	AWG 24	1061	11 cores/0.16mm	0.9~1.39mm	Reel terminal	10,000 units per reel	Gold-plated
541-0673-8	DF1B-24PRB			1007	7 cores/0.16mm		Loose piece terminal	100 pcs. per pack	
541-0674-0	DF1B-26PRFB	26	AWG 26	1061	7 cores/0.16mm	0.9~1.39mm	Reel terminal	10,000 units per reel	
541-0675-3	DF1B-26PRB			1007	7 cores/0.127mm		Loose piece terminal	100 pcs. per pack	
541-0676-6	DF1B-28PRFB	28	AWG 28	1061	7 cores/0.127mm	0.9~1.39mm	Reel terminal	10,000 units per reel	
541-0677-9	DF1B-28PRB			1007	7 cores/0.127mm		Loose piece terminal	100 pcs. per pack	

● Model DF-C-PO(C) insulation displacement terminal extraction tool

Note 1: The conductors in the applicable cables are tin-plated annealed copper wires.

Note 2: Contact our sales department for unspecified wires.

Crimp terminal for plug



● Applicable wire (Tin-plated annealed copper wire)

● Recommended wire
UL1061, UL1007

● Strip length
3.0~3.7mm

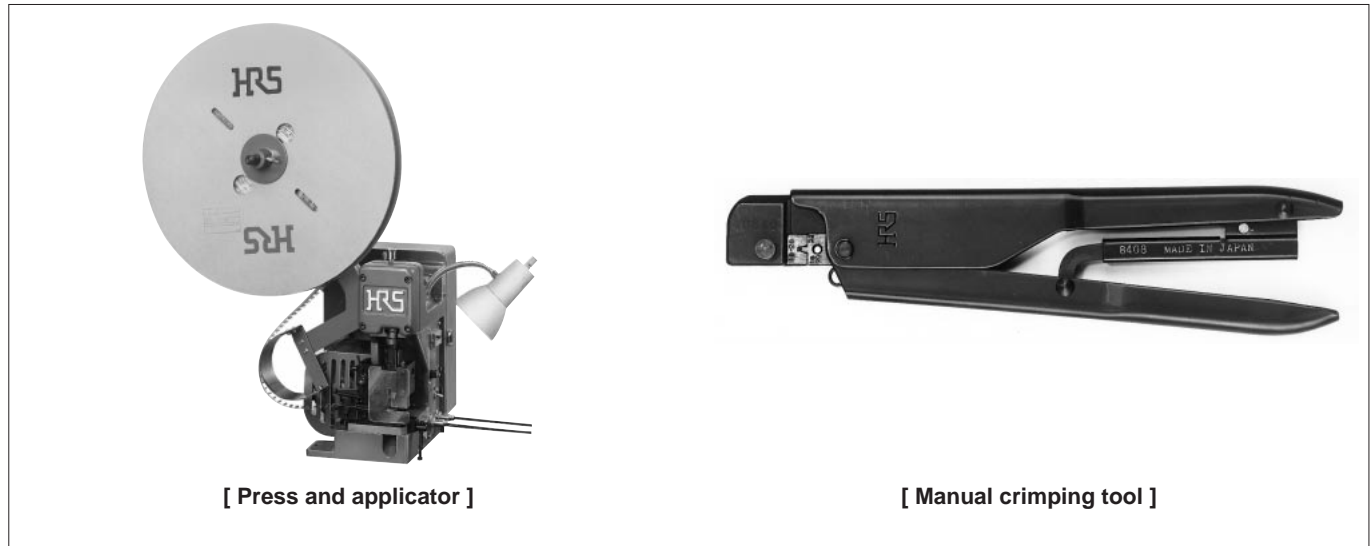
Note : Contact our sales department for unspecified wires.

Conductor size (core construction)
AWG 20 (21 cores/0.18mm)
AWG 22 (17 cores/0.16mm)
AWG 24 (11 cores/0.16mm)
AWG 26 (7 cores/0.16mm)
AWG 28 (7 cores/0.127mm)
AWG 30 (7 cores/0.1mm)

HRS No.	Product No.	Applicable cable		Type	Quantity	Processing
		AWG	Coating diameter			
541-0259-9	DF1B-2022PCF	AWG 20~ AWG 22	1.2~1.9mm	Reel terminal	10,000 units per reel	Tin-plated
541-0260-8	DF1B-2022PC			Loose piece terminal	100 pcs. per pack	
541-0664-7	DF1B-2428PCF	AWG 24~ AWG 28	0.9~1.5mm	Reel terminal	10,000 units per reel	
541-0665-0	DF1B-2428PC			Loose piece terminal	100 pcs. per pack	
541-0686-0	DF1B-30PCF	AWG 30	0.6~1.2mm	Reel terminal	10,000 units per reel	
541-0687-1	DF1B-30PC			Loose piece terminal	100 pcs. per pack	
541-0690-7	DF1B-2022PCFB	AWG 20~ AWG 22	1.2~1.9mm	Reel terminal	10,000 units per reel	Gold-plated
541-0691-0	DF1B-2022PCB			Loose piece terminal	100 pcs. per pack	
541-0660-6	DF1-PD2428SCFB	AWG 24~ AWG 28	0.9~1.5mm	Reel terminal	10,000 units per reel	
541-0661-9	DF1-PD2428SCB			Loose piece terminal	100 pcs. per pack	
541-0688-5	DF1B-30PCFB	AWG 30	0.6~1.2mm	Reel terminal	10,000 units per reel	
541-0689-8	DF1B-30PCB			Loose piece terminal	100 pcs. per pack	

● Model DF-C-PO(C) insulation displacement terminal extraction tool

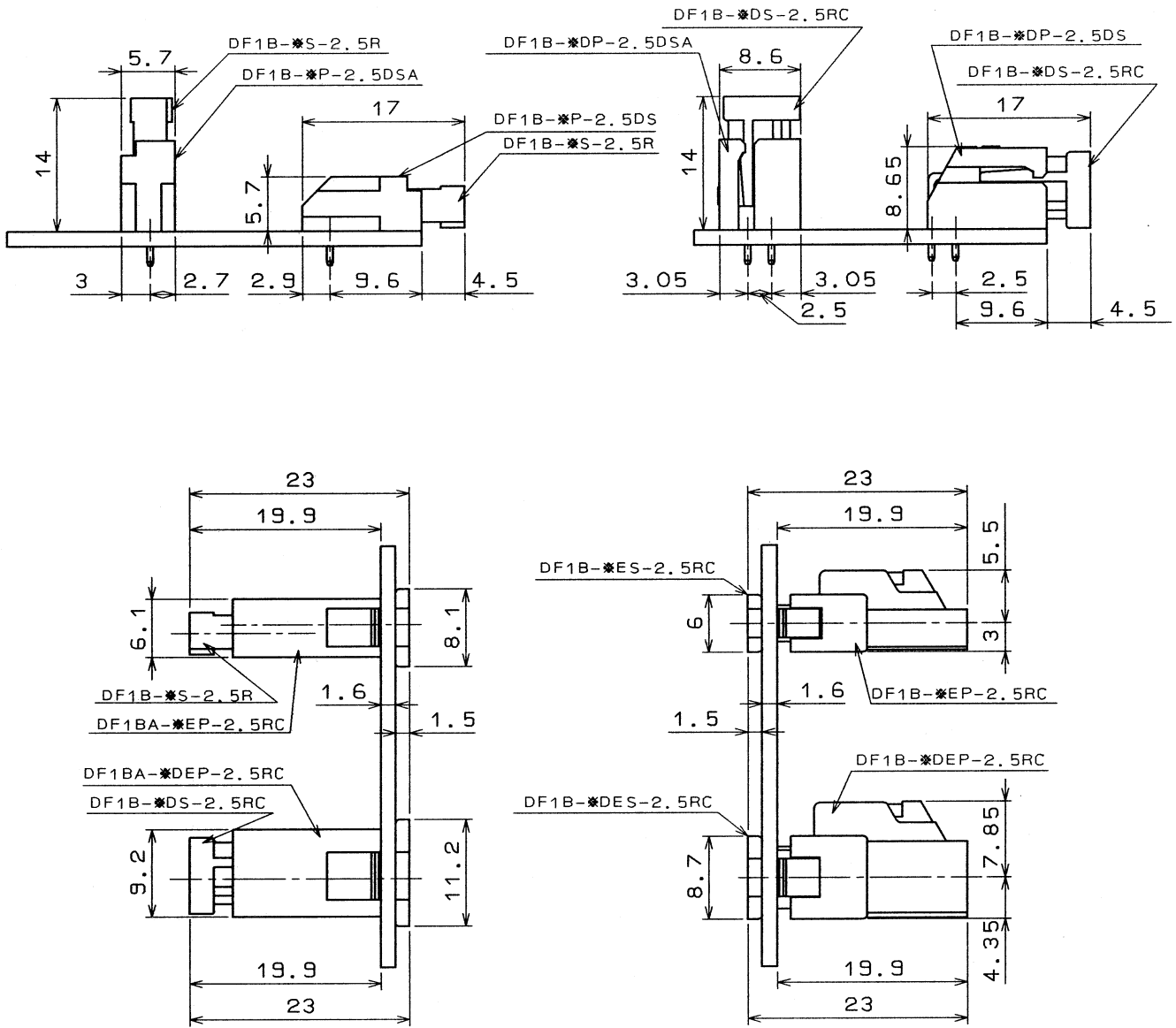
❖ Applicable tools



Connection	Type	HRS No.	Product No.	Applicable contact	Remarks
ID termination	Applicator	901-4507-4	AP105-DF1B-R	DF1B-R**F/FA **=24, 26, 28	
		901-4536-2	AP105-DF1B-PR	DF1B-**PRF/PRFB **=24, 26, 28	
	Manual crimping tool	550-0171-0	DF1B-T2428HR	DF1B-R**/A **=24, 26, 28	
		550-0221-7	DF1B-T2428PHR	DF1B-**PR/PRB **=24, 26, 28	
Crimp	Applicator	901-4510-9	AP105-DF1B-2022S	DF1B-2022SCF/SCFA	
		901-4518-0	AP105-DF1B-2428S	DF1B-2428SCF/SCFA	
		901-4517-8	AP105-DF1B-30S	DF1B-30SCF/SCFA	
		901-4509-0	AP105-DF1B-2022P	DF1B-2022PCF/PCFB	
		901-4521-5	AP105-DF1B-2428P	DF1B-2428PCF, DF1-PD2428SCF/SCFB	
		901-4519-3	AP105-DF1B-30P	DF1B-30PCF/PCFB	
	Manual crimping tool	550-0182-7	DF1B-TA2022SHC	DF1B-2022SC/SCA	
		550-0209-1	DF1B-TA2428SHC	DF1B-2428SC/SCA	
		550-0211-3	DF1B-TA30SHC	DF1B-30SC/SCA	
		550-0183-0	DF1B-TA2022PHC	DF1B-2022PC/PCB	
		550-0224-5	DF1B-TA2428PHC	DF1B-2428PC, DF1-PD2428SCB	
		550-0210-0	DF1B-TA30PHC	DF1B-30PC/PCB	
Press		901-0005-4	CM-105		
Extraction tool		550-0170-8	DF-C-PO (A)	DF1B-R**F	
		550-0179-2	DF-C-PO (B)	DF1B-***SCF	
		550-0198-7	DF-C-PO (C)	DF1B-***PCF, DF1B-**PRF	

Note 1: We will not honor the warranty if a problem is caused by using a tool not approved by Hirose.

❖ Application drawing



❖ Notes on use

<p>1. Recommended soldering condition</p>	<p>■ Reflow conditions by automatic soldering machine: Soldering temperature: 250± 5°C, for 3 seconds or less.</p> <p>■ Manual soldering conditions : Soldering iron temperature: 290±10°C, soldering time: 3 seconds or less.</p>
<p>2. Cleaning conditions</p>	<p>See "GUIDE TO HIROSE NYLON CONNECTORS."</p>
<p>3. Connecting conditions</p>	<p>See "GUIDE TO HIROSE NYLON CONNECTORS."</p>
<p>4. PRECAUTIONS</p>	<p>■ DF1B series products in one manufacturing lot may differ in color from another lot, but such color difference does not affect the product quality at all.</p>