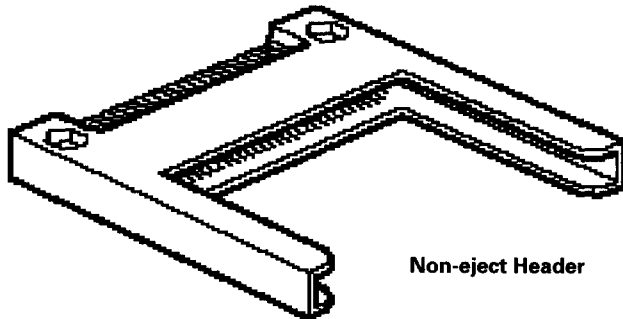


# Single Deck Eject Header

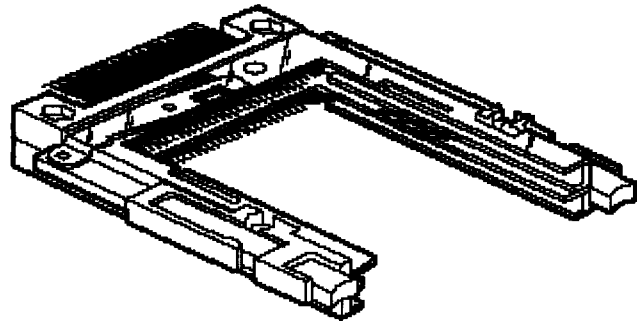
## Double Deck Eject Header

### Flex Mount Eject Header

### Non-Eject Header



Non-eject Header



Double Deck Eject Header, Type I, II, III

#### Features

- Intermatable with Type I, II, and III PC Cards.
- Minimum of 10,000 mating cycles when mated with appropriate Berg receptacle.
- Polarized to prevent incorrect card insertion.
- Eject Headers provide enhanced ESD protection.


#### OPTIONS


- Front or Side-Eject mechanisms.
- Board mounts - Available in right-angle, through-mount, and surface mount.
- Stand-offs - Available with or without stand-offs.
- Push rod location - Top or bottom mountable with right and left push rods.
- Push button color - Custom colors available.
- Headers with threaded insert available.

#### MATING DATA

Berg Electronics Products	Page
▪ Type I and II Card Kits . . . . .	4-4
▪ Receptacles . . . . .	4-2

#### Approvals and Certifications

 File no. E66906

 File no. LR46923

#### Technical Data

##### Materials

- Header housing . . . . . High temperature plastic
- Eject mechanism . . . . . High temperature plastic
- Terminal base material . . . . . Phosphor-bronze alloy

##### Plating

- Underplating . . . . . 0.5  $\mu$ m (20  $\mu$ in.) nickel
- Finish
  - ▶ Contact area . . . . . Gold flash over 0.5  $\mu$ m (20  $\mu$ in.) palladium-nickel alloy
  - ▶ Solder tail . . . . . tin-lead

##### Electrical Performance per PCMCIA Standard

- Current rating . . . . . 0.5 amp dc max per contact

##### Mechanical Performance per PCMCIA Standard

- Insertion force max . . . . . 0.77 N (85 gf) average per contact
- Withdrawal force min . . . . . 0.27 N (30 gf) average per contact
- Durability (mating cycles) . . . . . Minimum of 10,000 cycles

##### Packaging

- Trays in boxes

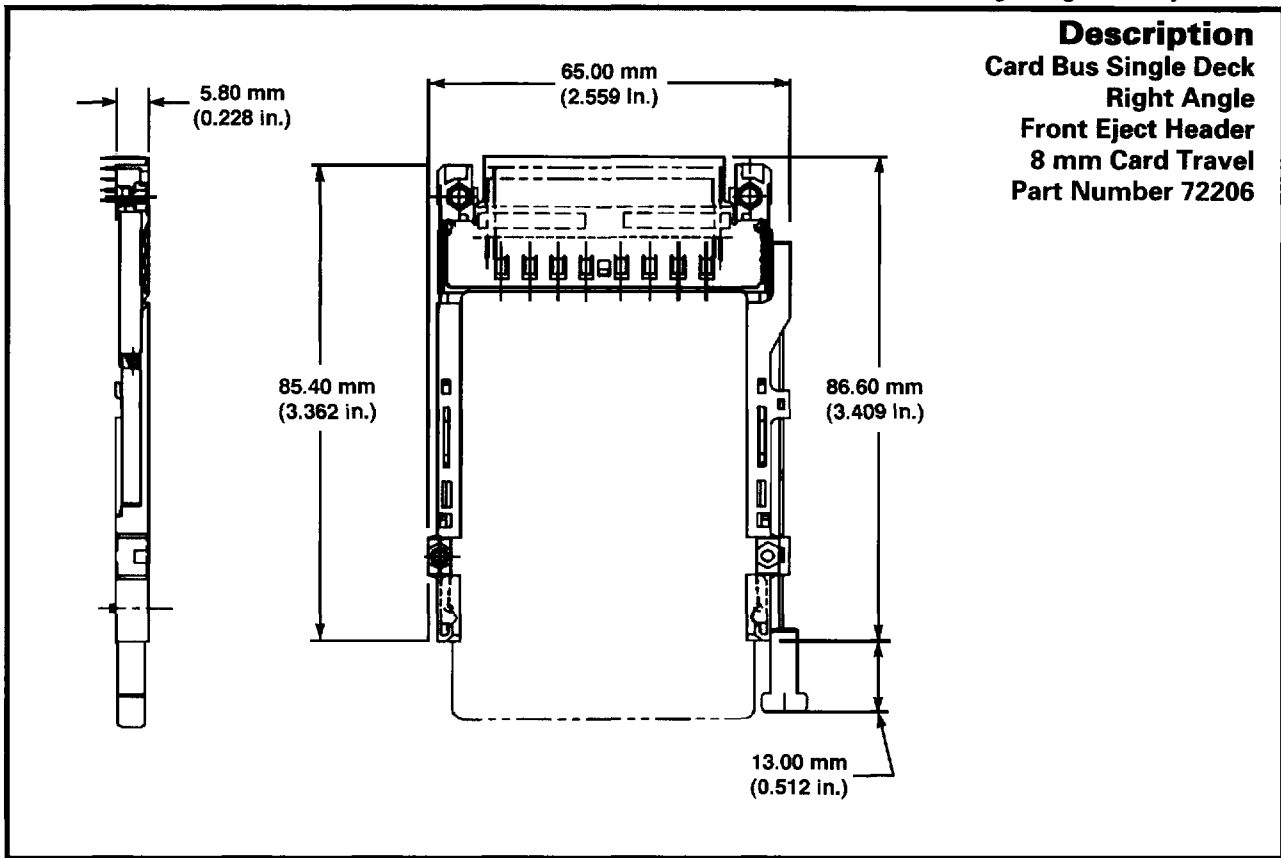
##### Specifications

- PCMCIA (Personal Computer Memory Card International Association)
- JEIDA (Japan Electronic Industry Development Association)

#### Customer Support Materials

Description	Order No.
Customer Product Drawings . . . . .	By Part No.
Product Specifications . . . . .	110-263
Header PCB Layouts . . . . .	TA-946

Description	Order No.
Product Samples . . . . .	Upon Request
Test Data . . . . .	Upon Request



**Description**  
Card Bus Single Deck  
Right Angle  
Front Eject Header  
8 mm Card Travel  
Part Number 72206

**4**

**Ordering Data**  
Berg PCMCIA Component Selector  
R/A Cardbus Single Deck Front Eject Header  
8 mm Card Travel

Push Rod Location	PCB Side	Solder Tail	Standoff		Order		
			mm	in.	One Header Part Number	And One Mechanism Part Number	To Make Final Assembly Part Number
Right	Above	Right Angle	None	None	71294-0000	71245-00CA	72206-000CA
Left	Above	Right Angle	None	None	71294-0000	71245-10CA	72206-100CA

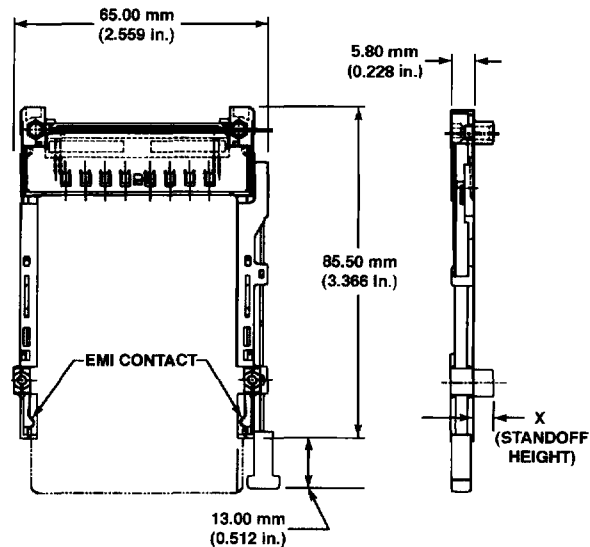
Note: Pushrod location is described as it appears to the user once installed in the system.

This product can be purchased by ordering as a final assembly, or by ordering the header and mechanism separately.

Ordering data shown is for our standard product offering. For non-standard or custom products, contact your authorized Berg Electronics representative.

**Card Bus Single Deck  
SMT Eject Header**

**Description**  
**Card Bus Single Deck**  
**SMT Eject Header**  
**8 mm Card Travel**  
**Part Number 71299**



**Ordering Data**  
**Berg PCMCIA Component Selector**  
**Cardbus Single Deck SMT Eject Header**  
**8 mm Card Travel**

Push Rod Location	PCB Side	Standoff		Usable alone as a single deck header?	Order		
		mm	in.		One Header Part Number	And One Mechanism Part Number	To Make Final Assembly Part Number
Right	Above	None	None	Yes	71249-0000	71245-00CA	71299-000CA
Right	Above	2.20	0.087	Yes	71249-0022	71245-02CA	71299-020CA
Right	Above	4.30	0.169	Yes	71249-0043	71245-04CA	71299-040CA
Right	Above	5.00	0.197	Yes	71249-0050	71245-05CA	71299-050CA
Left	Above	None	None	Yes	71249-0000	71245-10CA	71299-100CA
Left	Above	2.20	0.087	Yes	71249-0022	71245-12CA	71299-120CA
Left	Above	4.30	0.169	Yes	71249-0043	71245-14CA	71299-140CA
Left	Above	5.00	0.197	Yes	71249-0050	71245-15CA	71299-150CA
Right	Below	None	None	Yes	71249-5000	95079-10CA	71299-500CA
Right	Below	2.20	0.087	Yes	71249-5022	91113-12CA	71299-520CA
Right	Below	4.30	0.169	Yes	71249-5043	91113-14CA	71299-540CA
Right	Below	5.00	0.197	Yes	71249-5050	95079-15CA	71299-550CA
Left	Below	None	None	Yes	71249-5000	95079-00CA	71299-600CA
Left	Below	2.20	0.087	Yes	71249-5022	91113-02CA	71299-620CA
Left	Below	4.30	0.169	Yes	71249-5043	91113-04CA	71299-640CA
Left	Below	5.00	0.197	Yes	71249-5050	95079-05CA	71299-650CA
Right	Above	None	None	No	71249-0500	71245-00CA	71299-005CA
Right	Above	None	None	No	71249-0522	71245-00CA	71299-025CA
Right	Above	None	None	No	71249-0543	71245-00CA	71299-045CA
Right	Above	None	None	No	71249-0550	71245-00CA	71299-055CA
Left	Above	None	None	No	71249-0500	71245-10CA	71299-105CA
Left	Above	None	None	No	71249-0522	71245-10CA	71299-125CA
Left	Above	None	None	No	71249-0543	71245-10CA	71299-145CA
Left	Above	None	None	No	71249-0550	71245-10CA	71299-155CA
Right	Below	None	None	No	71249-5500	95079-10CA	71299-505CA
Right	Below	None	None	No	71249-5522	95079-10CA	71299-525CA
Right	Below	None	None	No	71249-5543	95079-10CA	71299-545CA
Right	Below	None	None	No	71249-5550	95079-10CA	71299-555CA
Left	Below	None	None	No	71249-5500	95079-00CA	71299-605CA
Left	Below	None	None	No	71249-5522	95079-00CA	71299-625CA
Left	Below	None	None	No	71249-5543	95079-00CA	71299-645CA
Left	Below	None	None	No	71249-5550	95079-00CA	71299-655CA

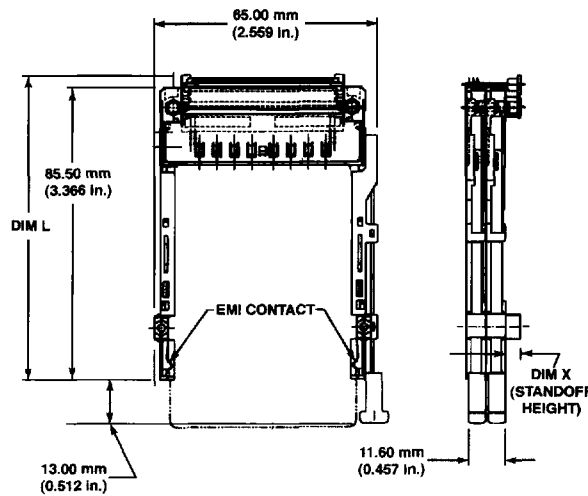
Note: Pushrod location is described as it appears to the user once installed in the system.

This product can be purchased by ordering as a final assembly, or by ordering the header and mechanism separately.

**This assembly plugs into 100-position BergStak™ 0.8 mm receptacle Part Number 61082-101000, which must be ordered separately.**

Ordering data shown is for our standard product offering. For non-standard or custom products, contact your authorized Berg Electronics representative.

**Description**  
Card Bus Double Deck  
SMT Eject Header  
8 mm Card Travel  
Part Number 71240



**Ordering Data**  
Berg PCMCIA Component Selector  
Cardbus Double Deck SMT Eject Header  
8 mm Card Travel

Part Number 71240 is a reference assembly Part Number showing double deck configuration. Orders should be placed for individual decks plus mating receptacles.

Push Rod Location		PCB Side	Standoff		Order		And BergStak™ 0.8 mm Receptacles as shown below	
			mm	in.	One Upper Deck Assembly Part Number	And One Lower Deck Assembly Part Number	Quantity	Part Number
Upper	Lower	Above	None	None	71299-005CA	71299-100CA	2	61082-101000
Right	Left	Above	2.20	0.087	71299-025CA	71299-120CA	2	61082-101000
Right	Left	Above	4.30	0.169	71299-045CA	71299-140CA	2	61082-101000
Right	Left	Above	5.00	0.197	71299-055CA	71299-150CA	2	61082-101000
Left	Right	Above	None	None	71299-105CA	71299-000CA	2	61082-101000
Left	Right	Above	2.20	0.087	71299-125CA	71299-020CA	2	61082-101000
Left	Right	Above	4.30	0.169	71299-145CA	71299-040CA	2	61082-101000
Left	Right	Above	5.00	0.197	71299-155CA	71299-050CA	2	61082-101000
Right	Right	Above	None	None	71299-005CA	71299-000CA	2	61082-101000
Right	Right	Above	2.20	0.087	71299-025CA	71299-020CA	2	61082-101000
Right	Right	Above	4.30	0.169	71299-045CA	71299-040CA	2	61082-101000
Right	Right	Above	5.00	0.197	71299-055CA	71299-050CA	2	61082-101000
Left	Left	Above	None	None	71299-105CA	71299-100CA	2	61082-101000
Left	Left	Above	2.20	0.087	71299-125CA	71299-120CA	2	61082-101000
Left	Left	Above	4.30	0.169	71299-145CA	71299-140CA	2	61082-101000
Left	Left	Above	5.00	0.197	71299-155CA	71299-150CA	2	61082-101000
Right	Left	Below	None	None	71299-605CA	71299-500CA	2	61082-101000
Right	Left	Below	2.20	0.087	71299-625CA	71299-520CA	2	61082-101000
Right	Left	Below	4.30	0.169	71299-645CA	71299-540CA	2	61082-101000
Right	Left	Below	5.00	0.197	71299-655CA	71299-550CA	2	61082-101000
Left	Right	Below	None	None	71299-505CA	71299-600CA	2	61082-101000
Left	Right	Below	2.20	0.087	71299-525CA	71299-620CA	2	61082-101000
Left	Right	Below	4.30	0.169	71299-545CA	71299-640CA	2	61082-101000
Left	Right	Below	5.00	0.197	71299-555CA	71299-650CA	2	61082-101000
Right	Right	Below	None	None	71299-505CA	71299-500CA	2	61082-101000
Right	Right	Below	2.20	0.087	71299-525CA	71299-520CA	2	61082-101000
Right	Right	Below	4.30	0.169	71299-545CA	71299-540CA	2	61082-101000
Right	Right	Below	5.00	0.197	71299-555CA	71299-550CA	2	61082-101000
Left	Left	Below	None	None	71299-605CA	71299-600CA	2	61082-101000
Left	Left	Below	2.20	0.087	71299-625CA	71299-620CA	2	61082-101000
Left	Left	Below	4.30	0.169	71299-645CA	71299-640CA	2	61082-101000
Left	Left	Below	5.00	0.197	71299-655CA	71299-650CA	2	61082-101000

Note: Pushrod location is described as it appears to the user once installed in the system.

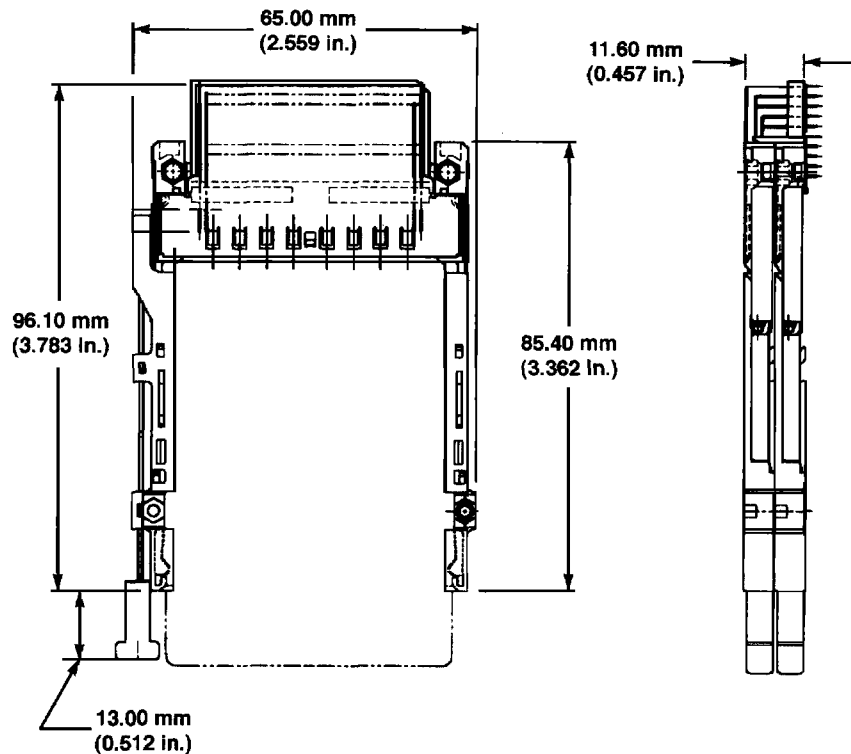
**These assemblies plug into 100-position BergStak™ 0.80 mm receptacle Part Number 61082-101000, which must be ordered separately for each deck.**

Ordering data shown is for our standard product offering. For non-standard or custom products, contact your authorized Berg Electronics representative.

**Card Bus Double Deck  
Right Angle Front Eject Header**

**Description**

**Card Bus Double Deck  
Right Angle  
Front Eject Header  
8 mm Card Travel  
Part Number 71757**



**Ordering Data**

**Berg PCMCIA Component Selector  
R/A Cardbus Double Deck Front Eject Header  
8 mm Card Travel**

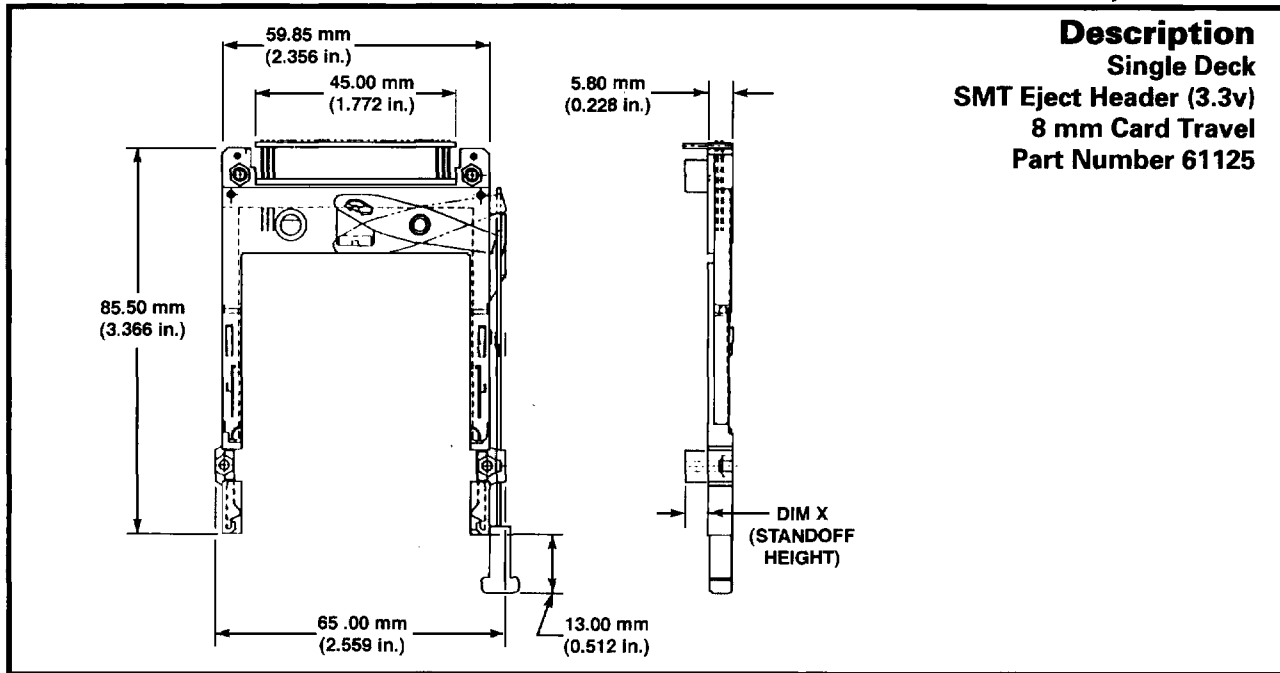
Push Rod Location		PCB Side	Solder Tail	Standoff		Order			
				mm	in.	One Header Part Number 71257	And Two Mechanisms Part Numbers 71245	To Make Final Assembly Part Number	
Upper	Lower								
Right	Left	Above	Right Angle	None	None	0000	00CA	10CA	71757-000CA
Left	Right	Above	Right Angle	None	None	0000	10CA	00CA	71757-100CA
Right	Right	Above	Right Angle	None	None	0000	00CA	00CA	71757-200CA
Left	Left	Above	Right Angle	None	None	0000	10CA	10CA	71757-300CA

Note: Pushrod location is described as it appears to the user once installed in the system.

Part Number 71257-0000 is a double header with threaded inserts.

This product can be purchased by ordering as a final assembly, or by ordering the header and mechanism separately.

Ordering data shown is for our standard product offering. For non-standard or custom products, contact your authorized Berg Electronics representative.



**Description**  
Single Deck  
SMT Eject Header (3.3v)  
8 mm Card Travel  
Part Number 61125

4

**Ordering Data**  
Berg PCMCIA Component Selector  
Single Deck SMT Eject Header (3.3 v)  
8 mm Card Travel

Push Rod Location	PCB Side	Standoff		Usable alone as a single-deck header?	Order		
		mm	in.		One Header Part Number	And One Mechanism Part Number	To Make Final Assembly Part Number
Right	Above	2.20	0.087	Yes	61127-0022	91113-02CA	61125-020CA
Right	Above	4.30	0.169	Yes	61127-0043	91113-04CA	61125-040CA
Right	Above	5.00	0.197	Yes	61127-0050	95079-05CA	61125-050CA
Left	Above	2.20	0.087	Yes	61127-0022	91113-12CA	61125-120CA
Left	Above	4.30	0.169	Yes	61127-0043	91113-14CA	61125-140CA
Left	Above	5.00	0.197	Yes	61127-0050	95079-15CA	61125-150CA
Right	Below	2.20	0.087	Yes	61127-5022	91113-12CA	61125-520CA
Right	Below	4.30	0.169	Yes	61127-5043	91113-14CA	61125-540CA
Right	Below	5.00	0.197	Yes	61127-5050	95079-15CA	61125-550CA
Left	Below	2.20	0.087	Yes	61127-5022	91113-02CA	61125-620CA
Left	Below	4.30	0.169	Yes	61127-5043	91113-04CA	61125-640CA
Left	Below	5.00	0.197	Yes	61127-5050	95079-05CA	61125-650CA
Right	Above	None	None	No	61127-0500	95079-00CA	61125-005CA
Right	Above	None	None	No	61127-0522	95079-00CA	61125-025CA
Right	Above	None	None	No	61127-0543	95079-00CA	61125-045CA
Right	Above	None	None	No	61127-0550	95079-00CA	61125-055CA
Left	Above	None	None	No	61127-0500	95079-10CA	61125-105CA
Left	Above	None	None	No	61127-0522	95079-10CA	61125-125CA
Left	Above	None	None	No	61127-0543	95079-10CA	61125-145CA
Left	Above	None	None	No	61127-0550	95079-10CA	61125-155CA
Right	Below	None	None	No	61127-5500	95079-10CA	61125-505CA
Right	Below	None	None	No	61127-5522	95079-10CA	61125-525CA
Right	Below	None	None	No	61127-5543	95079-10CA	61125-545CA
Right	Below	None	None	No	61127-5550	95079-10CA	61125-555CA
Left	Below	None	None	No	61127-5500	95079-00CA	61125-605CA
Left	Below	None	None	No	61127-5522	95079-00CA	61125-625CA
Left	Below	None	None	No	61127-5543	95079-00CA	61125-645CA
Left	Below	None	None	No	61127-5550	95079-00CA	61125-655CA

Note: Pushrod location is described as it appears to the user once installed in the system.

This product can be purchased by ordering as a final assembly, or by ordering the header and mechanism separately.

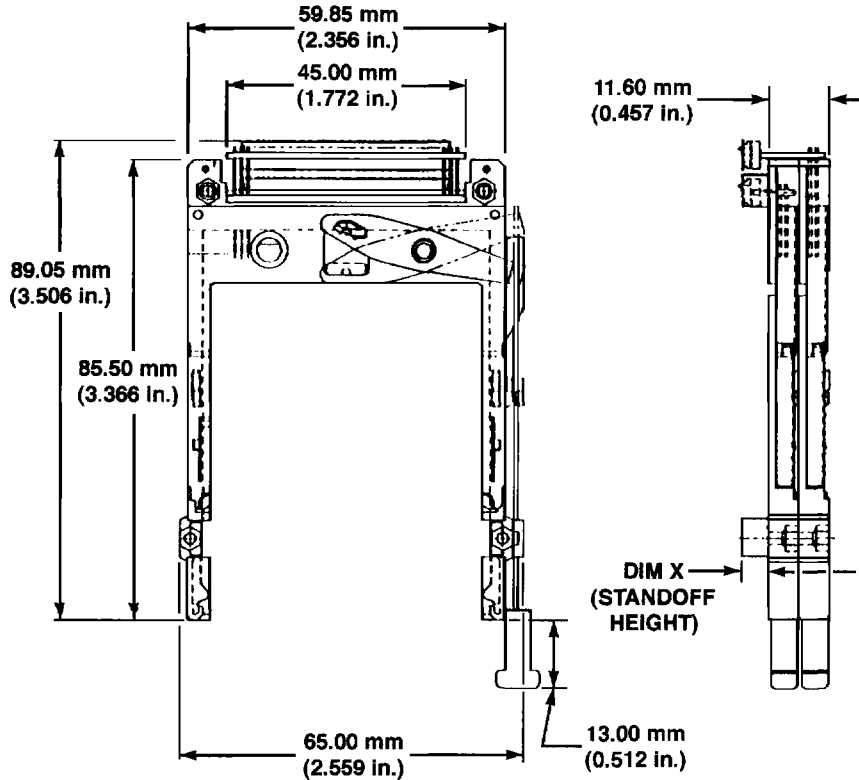
**This assembly plugs into a 69-position Conan™ receptacle Part Number 91931-31169, which must be ordered separately.**

Ordering data shown is for our standard product offering. For non-standard or custom products, contact your authorized Berg Electronics representative.

**Double Deck  
SMT Eject Header (3.3v)**

**Description**

**Double Deck  
SMT Eject Header (3.3v)  
8 mm Card Travel  
Part Number 61124**



**Ordering Data**

**Berg PCMCIA Component Selector  
Double Deck SMT Eject Header (3.3 v)  
8 mm Card Travel**

Part Number 61124 is a reference assembly Part Number showing double deck configuration. Orders should be placed for individual decks plus mating receptacles.

Push Rod Location		PCB Side	Standoff		Order			
			mm	in.	One Upper Deck Assembly Part Number	And One Lower Deck Assembly Part Number	And Conan™ Receptacles as shown below	
Upper	Lower					Quantity	Part Number	
Right	Right	Above	None	None	61125-005CA	61126-002CA	1	91931-31169
Right	Right	Above	2.20	0.087	61125-025CA	61125-020CA	2	91931-31169
Right	Right	Above	4.30	0.169	61125-045CA	61125-040CA	2	91931-31169
Right	Right	Above	5.00	0.197	61125-055CA	61125-050CA	2	91931-31169
Left	Left	Above	None	None	61125-105CA	61126-102CA	1	91931-31169
Left	Left	Above	2.20	0.087	61125-125CA	61125-120CA	2	91931-31169
Left	Left	Above	4.30	0.169	61125-145CA	61125-140CA	2	91931-31169
Left	Left	Above	5.00	0.197	61125-155CA	61125-150CA	2	91931-31169
Right	Right	Below	None	None	61125-505CA	61126-502CA	1	91931-31169
Right	Right	Below	2.20	0.087	61125-525CA	61125-520CA	2	91931-31169
Right	Right	Below	4.30	0.169	61125-545CA	61125-540CA	2	91931-31169
Right	Right	Below	5.00	0.197	61125-555CA	61125-550CA	2	91931-31169
Left	Left	Below	None	None	61125-605CA	61126-602CA	1	91931-31169
Left	Left	Below	2.20	0.087	61125-625CA	61125-620CA	2	91931-31169
Left	Left	Below	4.30	0.169	61125-645CA	61125-640CA	2	91931-31169
Left	Left	Below	5.00	0.197	61125-655CA	61125-650CA	2	91931-31169

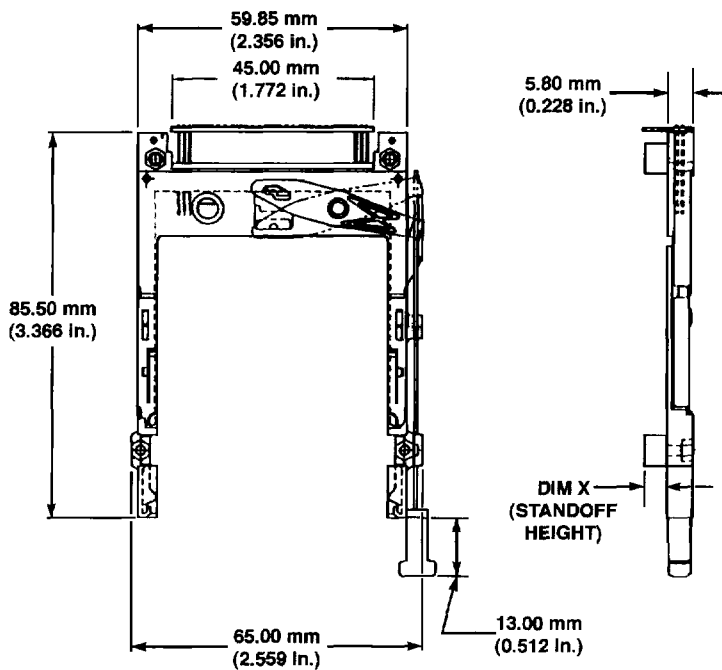
Note: Pushrod location is described as it appears to the user once installed in the system.

These assemblies plug into 69-position Conan™ receptacles.

The lower deck of a zero standoff assembly must be soldered directly to the PCB, thus requiring only one Conan™ receptacle for the total assembly.

Ordering data shown is for our standard product offering. For non-standard or custom products, contact your authorized Berg Electronics representative.

**Description**  
Single Deck  
SMT Eject Header  
8 mm Card Travel  
Part Number 95547



4

**Ordering Data**  
Berg PCMCIA Component Selector  
Single Deck SMT Eject Header (5.0 v)  
8 mm Card Travel

Push Rod Location	PCB Side	Dimension X (Standoff)		Useable Alone as a single-deck header?	Order		
		mm	in.		One Header Part Number	And One Mechanism Part Number	To Make Final Assembly Part Number
Right	Above	2.20	0.087	Yes	95548-0022	91113-02CA	95547-020CA
Right	Above	4.30	0.169	Yes	95548-0043	91113-04CA	95547-040CA
Right	Above	5.00	0.197	Yes	95548-0050	95079-05CA	95547-050CA
Left	Above	2.20	0.087	Yes	95548-0022	91113-12CA	95547-120CA
Left	Above	4.30	0.169	Yes	95548-0043	91113-14CA	95547-140CA
Left	Above	5.00	0.197	Yes	95548-0050	95079-15CA	95547-150CA
Right	Below	2.20	0.087	Yes	95548-5022	91113-12CA	95547-520CA
Right	Below	4.30	0.169	Yes	95548-5043	91113-14CA	95547-540CA
Right	Below	5.00	0.197	Yes	95548-5050	95079-15CA	95547-550CA
Left	Below	2.20	0.087	Yes	95548-5022	91113-02CA	95547-620CA
Left	Below	4.30	0.169	Yes	95548-5043	91113-04CA	95547-640CA
Left	Below	5.00	0.197	Yes	95548-5050	95079-05CA	95547-650CA
Right	Above	None	None	No	95548-0500	95079-00CA	95547-005CA
Right	Above	None	None	No	95548-0522	95079-00CA	95547-025CA
Right	Above	None	None	No	95548-0543	95079-00CA	95547-045CA
Right	Above	None	None	No	95548-0550	95079-00CA	95547-055CA
Left	Above	None	None	No	95548-0500	95079-10CA	95547-105CA
Left	Above	None	None	No	95548-0522	95079-10CA	95547-125CA
Left	Above	None	None	No	95548-0543	95079-10CA	95547-145CA
Left	Above	None	None	No	95548-0550	95079-10CA	95547-155CA
Right	Below	None	None	No	95548-5500	95079-10CA	95547-505CA
Right	Below	None	None	No	95548-5522	95079-10CA	95547-525CA
Right	Below	None	None	No	95548-5543	95079-10CA	95547-545CA
Right	Below	None	None	No	95548-5550	95079-10CA	95547-555CA
Left	Below	None	None	No	95548-5500	95079-00CA	95547-605CA
Left	Below	None	None	No	95548-5522	95079-00CA	95547-625CA
Left	Below	None	None	No	95548-5543	95079-00CA	95547-645CA
Left	Below	None	None	No	95548-5550	95079-00CA	95547-655CA

Note: Pushrod location is described as it appears to the user once installed in the system.

**This product can be purchased by ordering as a final assembly, or by ordering the header and two mechanisms separately.**

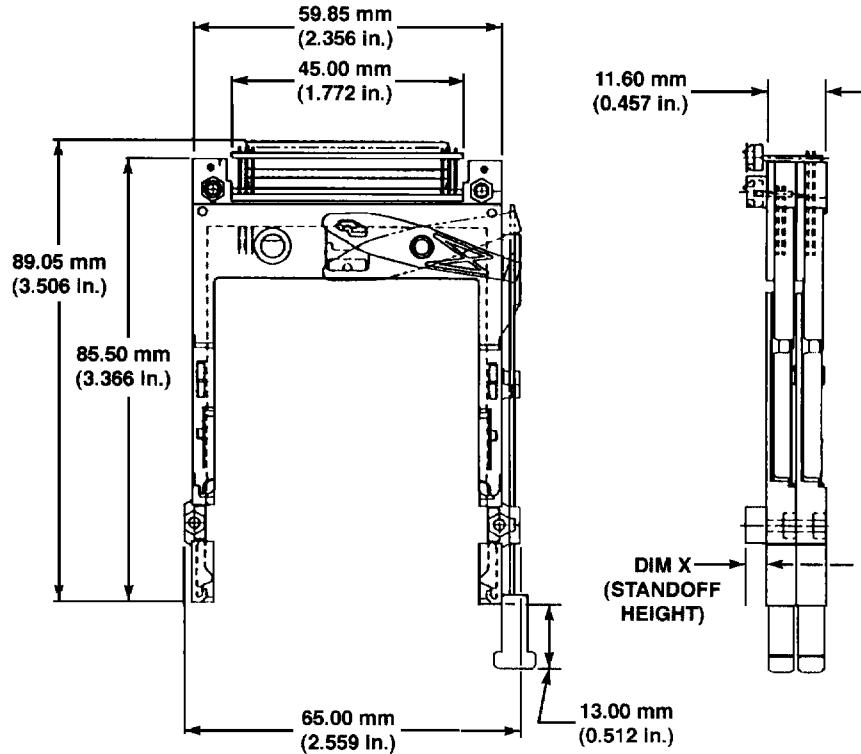
This assembly plugs into a 69-position Conan™ receptacle Part Number 91931-31169, which must be ordered separately.

Ordering data shown is for our standard product offering. For non-standard or custom products, contact your authorized Berg Electronics representative.



**Description**

Double Deck  
SMT Eject Header  
8 mm Card Travel  
Part Number 95562



**Ordering Data**

Berg PCMCIA Component Selector  
Double Deck SMT Eject Header  
8 mm Card Travel

Part Number 95562 is a reference assembly Part Number showing double deck configuration. Orders should be placed for individual decks plus mating receptacles.

Push Rod Location		PCB Side	Standoff		Order			
			mm	in.	One Upper Deck Assembly Part Number	And One Lower Deck Assembly Part Number	And Conan™ Receptacles as shown below	
Upper	Lower						Quantity	Part Number
Right	Right	Above	None	None	95547-005CA	95620-002CA	1	91931-31169
Right	Right	Above	2.20	0.087	95547-025CA	95547-020CA	2	91931-31169
Right	Right	Above	4.30	0.169	95547-045CA	95547-040CA	2	91931-31169
Right	Right	Above	5.00	0.197	95547-055CA	95547-050CA	2	91931-31169
Left	Left	Above	None	None	95547-105CA	95620-102CA	1	91931-31169
Left	Left	Above	2.20	0.087	95547-125CA	95547-120CA	2	91931-31169
Left	Left	Above	4.30	0.169	95547-145CA	95547-140CA	2	91931-31169
Left	Left	Above	5.00	0.197	95547-155CA	95547-150CA	2	91931-31169
Right	Right	Below	None	None	95547-505CA	95620-502CA	1	91931-31169
Right	Right	Below	2.20	0.087	95547-525CA	95547-520CA	2	91931-31169
Right	Right	Below	4.30	0.169	95547-545CA	95547-540CA	2	91931-31169
Right	Right	Below	5.00	0.197	95547-555CA	95547-550CA	2	91931-31169
Left	Left	Below	None	None	95547-605CA	95620-602CA	1	91931-31169
Left	Left	Below	2.20	0.087	95547-625CA	95547-620CA	2	91931-31169
Left	Left	Below	4.30	0.169	95547-645CA	95547-640CA	2	91931-31169
Left	Left	Below	5.00	0.197	95547-655CA	95547-650CA	2	91931-31169

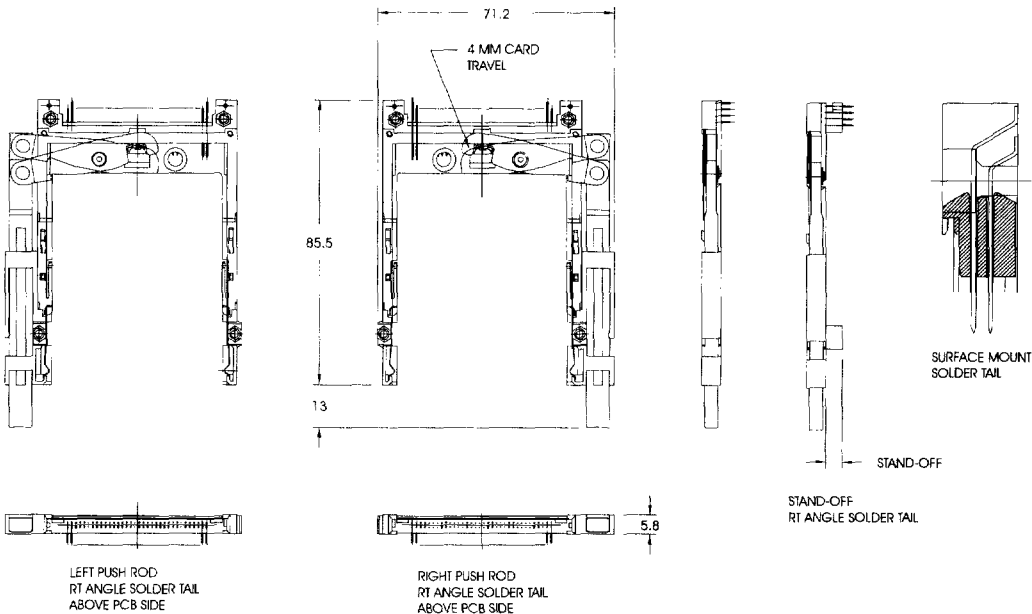
Note: Pushrod location is described as it appears to the user once installed in the system.

These assemblies plug into 69-position Conan™ receptacles.

The lower deck of a zero standoff assembly must be soldered directly to the PCB, thus requiring only one Conan™ receptacle for the total assembly.

Ordering data shown is for our standard product offering. For non-standard or custom products, contact your authorized Berg Electronics representative.

**Description**  
Type I, II, III Single Deck Front Eject Header  
4 mm Card Travel



**Ordering Data**  
Berg PCMCIA Component Selector  
Type I, II, III Single Deck Front Eject Header  
4 mm Card Travel

Push Rod Location	PCB Side	Solder Tail	Standoff (mm)	Order Header Part Number 92140-											and Mechanism P/N 92192-					To Make Final Assy. Part Number			
				000	001	002	010	020	040	500	501	502	510	520	540	00CA	02CA	04CA	05CA		10CA	12CA	14CA
Right	Above	R/A	none	■																			92193-000CA
Left	Above	R/A	none		■																		92193-100CA
Right	Below	R/A	none																				92193-500CA
Left	Below	R/A	none																				92193-600CA
Right	Above	R/A	2																				92193-020CA
Left	Above	R/A	2																				92193-120CA
Right	Below	R/A	2																				92193-520CA
Left	Below	R/A	2																				92193-620CA
Right	Above	R/A	4																				92193-040CA
Left	Above	R/A	4																				92193-140CA
Right	Below	R/A	4																				92193-540CA
Left	Below	R/A	4																				92193-640CA
Right	Above	R/A	5																				92193-050CA
Left	Above	R/A	5																				92193-150CA
Right	Below	R/A	5																				92193-550CA
Left	Below	R/A	5																				92193-650CA
Right	Above	SMT-IL	none																				92193-002CA
Left	Above	SMT-IL	none																				92193-102CA
Right	Below	SMT-IL	none																				92193-502CA
Left	Below	SMT-IL	none																				92193-602CA
Right	Above	SMT-Stg	none																				92193-001CA
Left	Above	SMT-Stg	none																				92193-101CA
Right	Below	SMT-Stg	none																				92193-501CA
Left	Below	SMT-Stg	none																				92193-601CA

Note: Pushrod location is described as it appears to the user once installed in the system.  
Optional headers with threaded inserts. See page 4-26.

Solder Tail Key:

- R/A = Right Angle pin-through-hole
- SMT-Stg = Staggered surface mount
- SMT-IL = Surface mount in-line (single row)

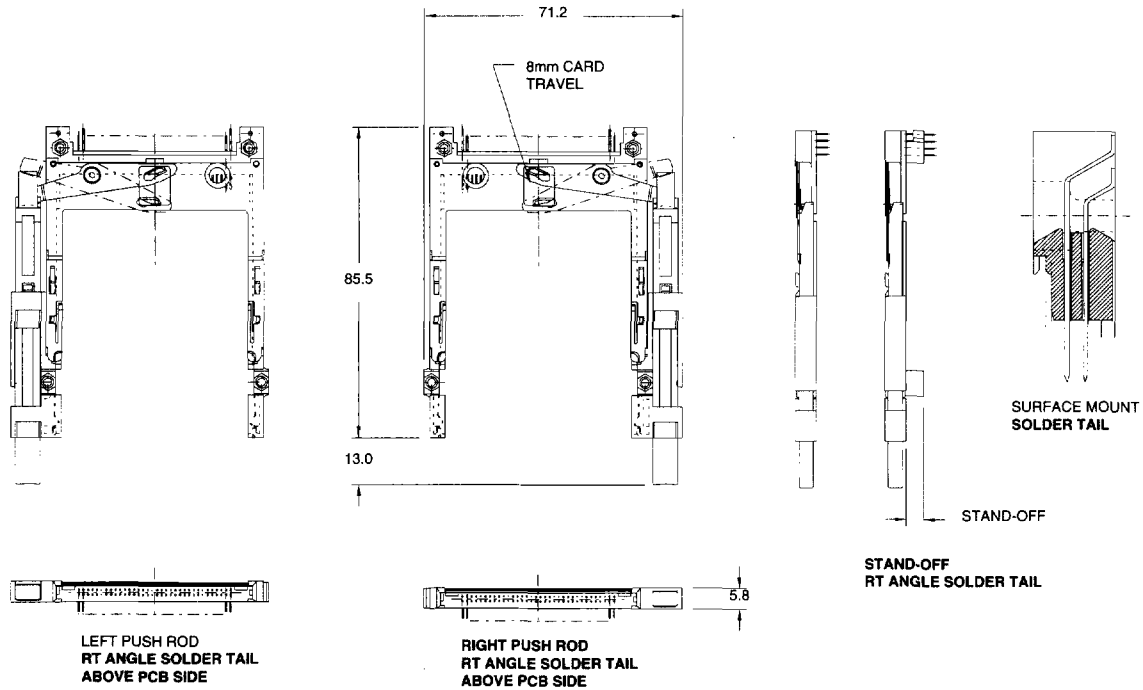
Example: A single deck R/A eject header which mounts above the PCB with no standoff and has the push rod on the left has a final assembly P/N: 92193-100CA

It is made from components: 92140-000 and 92192-10CA

**Single Deck Extended Travel Front Eject Header  
8 mm Card Travel**

**Description**

**Type I, II, III Single Deck Front Eject Header  
8 mm (Extended) Card Travel**



**Ordering Data**

**Berg PCMCIA Component Selector  
Type I, II, III Single Deck Front Eject Header  
8 mm (Extended) Card Travel**

Push Rod Location	PCB Side	Solder Tail	Standoff (mm)	Order Header Part Number 92140-											and Mechanism P/N 94613-							
				000	001	002	010	020	040	500	501	502	510	520	540	00CA	02CA	04CA	05CA	10CA	12CA	14CA
Right	Above	R/A	none																			
Left	Above	R/A	none																			
Right	Below	R/A	none																			
Left	Below	R/A	none																			
Right	Above	R/A	2																			
Left	Above	R/A	2																			
Right	Below	R/A	2																			
Left	Below	R/A	2																			
Right	Above	R/A	4																			
Left	Above	R/A	4																			
Right	Below	R/A	4																			
Left	Below	R/A	4																			
Right	Above	R/A	5																			
Left	Above	R/A	5																			
Right	Below	R/A	5																			
Left	Below	R/A	5																			
Right	Above	SMT-IL	none																			
Left	Above	SMT-IL	none																			
Right	Below	SMT-IL	none																			
Left	Below	SMT-IL	none																			
Right	Above	SMT-Stg	none																			
Left	Above	SMT-Stg	none																			
Right	Below	SMT-Stg	none																			
Left	Below	SMT-Stg	none																			

**Note:** Pushrod location is described as it appears to the user once installed in the system.

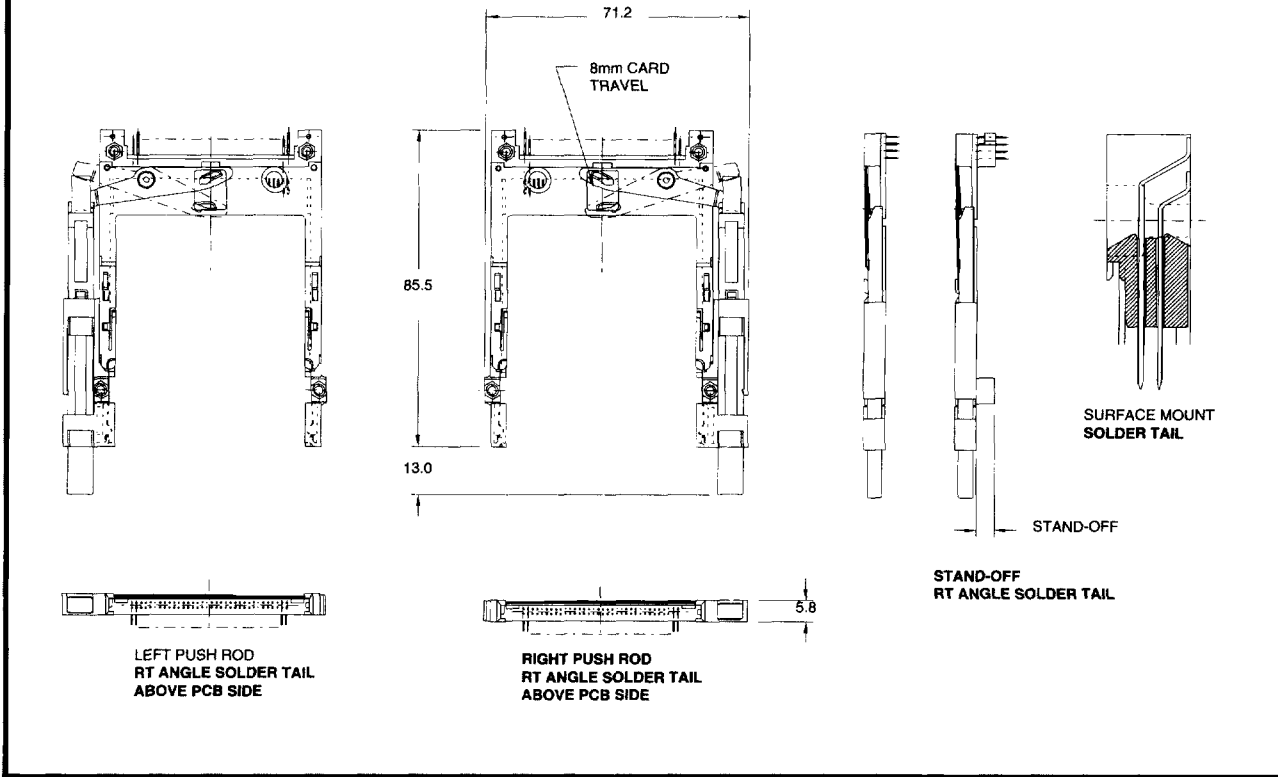
Optional headers with threaded inserts. See page 4-26.

Solder Tail Key:

- R/A = Right Angle pin-through-hole
- SMT-Stg = Staggered surface mount
- SMT-IL = Surface mount in-line (single row)

**Description**

**Type I, II, III Single Deck, Narrow Body, Front Eject Header  
65 mm Width, 8 mm (Extended) Card Travel**



**4**

**Ordering Data**

**Berg PCMCIA Component Selector  
Type I, II, III Single Deck, Narrow Body, Front Eject Header  
65 mm Width, 8 mm (Extended) Card Travel**

Push Rod Location	PCB Side	Solder Tail	Standoff (mm)	Order Header Part Number 92140-												and Mechanism P/N 95079-					To Make Final Assy. Part Number			
				000	001	002	010	020	040	500	501	502	510	520	540	00CA	02CA	04CA	05CA	10CA		12CA	14CA	15CA
Right	Above	R/A	none	■																				95620-000CA
Left	Above	R/A	none		■																			95620-100CA
Right	Below	R/A	none																					95620-500CA
Left	Below	R/A	none																					95620-600CA
Right	Above	R/A	2																					95620-020CA
Left	Above	R/A	2																					95620-120CA
Right	Below	R/A	2																					95620-520CA
Left	Below	R/A	2																					95620-620CA
Right	Above	R/A	4																					95620-040CA
Left	Above	R/A	4																					95620-140CA
Right	Below	R/A	4																					95620-540CA
Left	Below	R/A	4																					95620-640CA
Right	Above	R/A	5																					95620-050CA
Left	Above	R/A	5																					95620-150CA
Right	Below	R/A	5																					95620-550CA
Left	Below	R/A	5																					95620-650CA
Right	Above	SMT-IL	none																					95620-002CA
Left	Above	SMT-IL	none																					95620-102CA
Right	Below	SMT-IL	none																					95620-502CA
Left	Below	SMT-IL	none																					95620-602CA
Right	Above	SMT-Stg	none																					95620-001CA
Left	Above	SMT-Stg	none																					95620-101CA
Right	Below	SMT-Stg	none																					95620-501CA
Left	Below	SMT-Stg	none																					95620-601CA

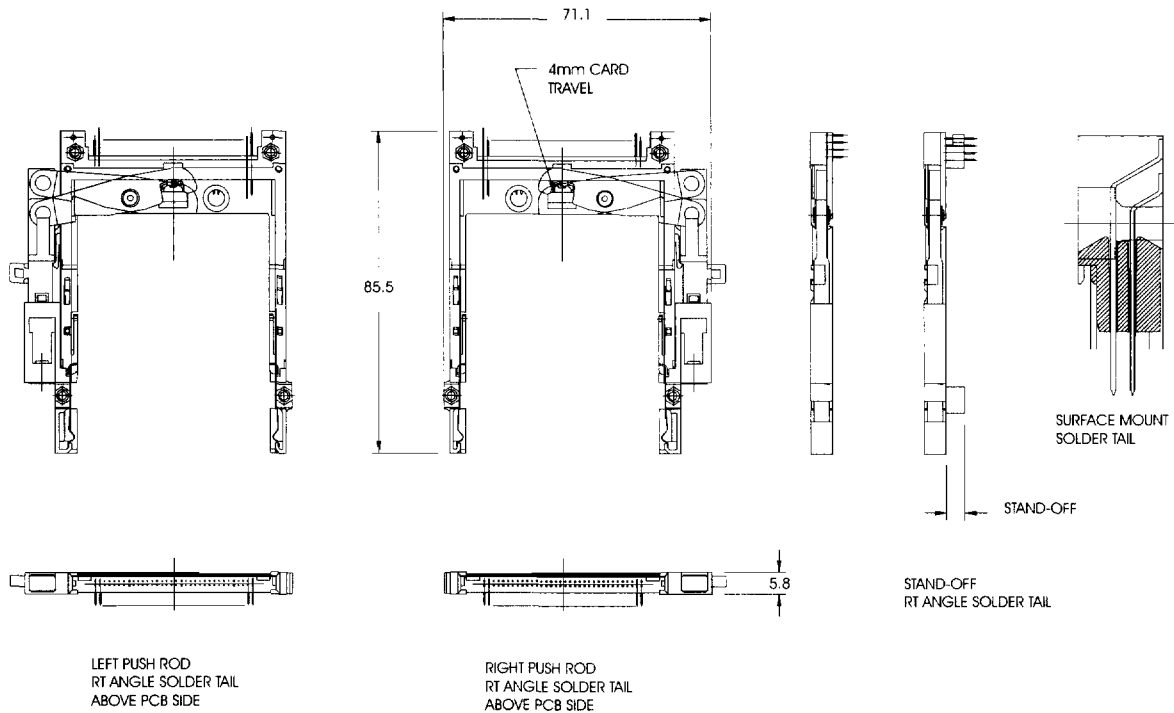
**Note:** Pushrod location is described as it appears to the user once installed in the system.  
Optional headers with threaded inserts. See page 4-26.

- Solder Tail Key:  
 R/A = Right Angle pin-through-hole  
 SMT-Stg = Staggered surface mount  
 SMT-IL = Surface mount in-line (single row)

**Single Deck Side Eject Header**  
**4 mm Card Travel**

**Description**

**Type I, II, III Single Deck Side Eject Header**  
**4 mm Card Travel**



**Ordering Data**

**Berg PCMCIA Component Selector**  
**Type I, II, III Single Deck Side Eject Header**  
**4 mm Card Travel**

Push Rod Location	PCB Side	Solder Tail	Standoff (mm)	Order Header Part Number 92140-										and Mechanism P/N 92800-					
				000	001	002	020	040	500	501	502	520	540	110	111	112	210	211	212
Right	Above	R/A	none	■															
Left	Above	R/A	none																
Right	Below	R/A	none																
Left	Below	R/A	none																
Right	Above	R/A	2																
Left	Above	R/A	2																
Right	Below	R/A	2																
Left	Below	R/A	2																
Right	Above	R/A	5																
Left	Above	R/A	5																
Right	Below	R/A	5																
Left	Below	R/A	5																
Right	Above	SMT-IL	none																
Left	Above	SMT-IL	none																
Right	Below	SMT-IL	none																
Left	Below	SMT-IL	none																
Right	Above	SMT-Stg	none																
Left	Above	SMT-Stg	none																
Right	Below	SMT-Stg	none																
Left	Below	SMT-Stg	none																

**Note:** Pushrod location is described as it appears to the user once installed in the system.

Optional headers with threaded inserts. See page 4-26.

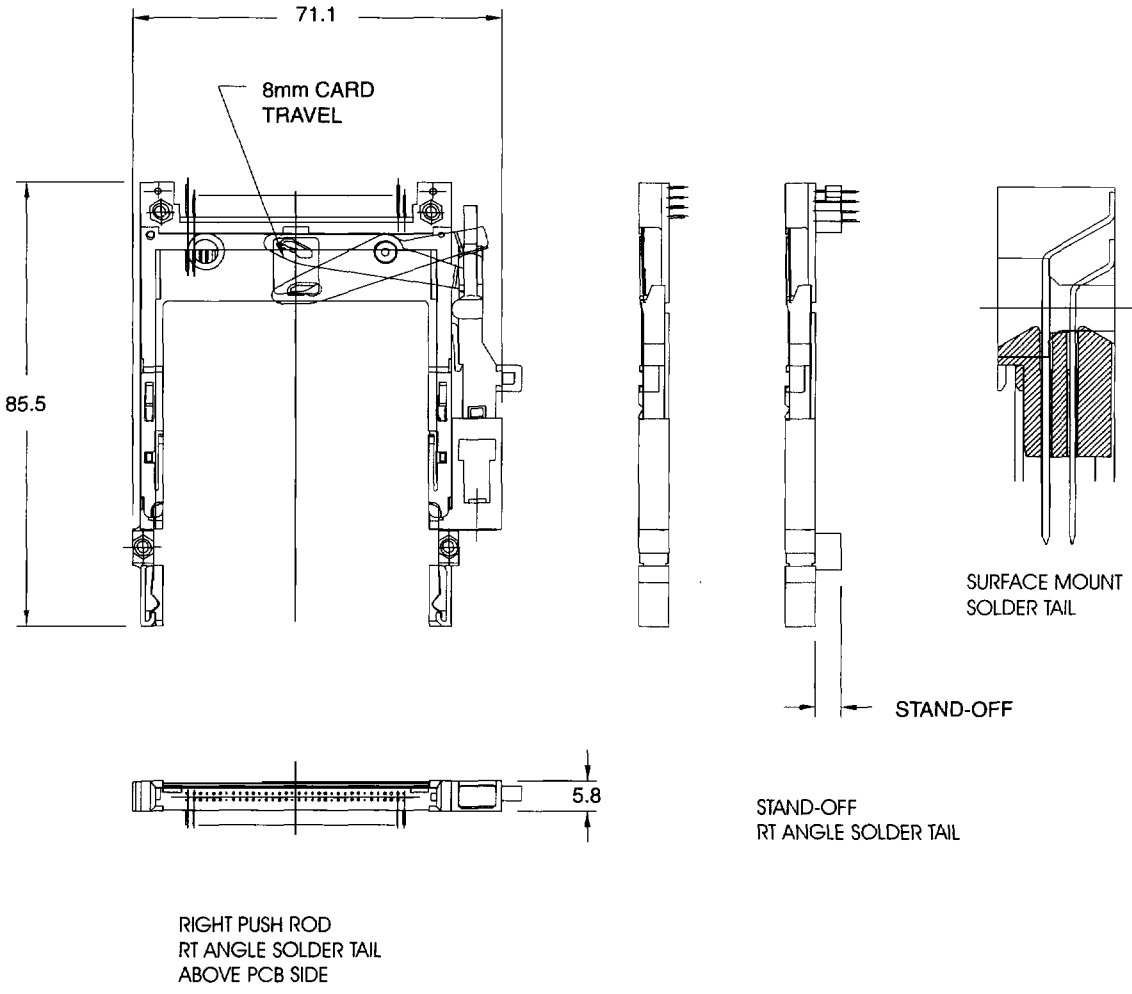
Solder Tail Key:

- R/A = Right Angle pin-through-hole
- SMT-Stg = Staggered surface mount
- SMT-IL = Surface mount in-line (single row)

**Description**

Type I, II, III Single Deck, Side Eject Header  
8 mm (Extended) Card Travel

4



RIGHT PUSH ROD  
RT ANGLE SOLDER TAIL  
ABOVE PCB SIDE

**Ordering Data**  
Berg PCMCIA Component Selector  
Type I, II, III Single Deck, Side Eject Header  
8 mm (Extended) Card Travel

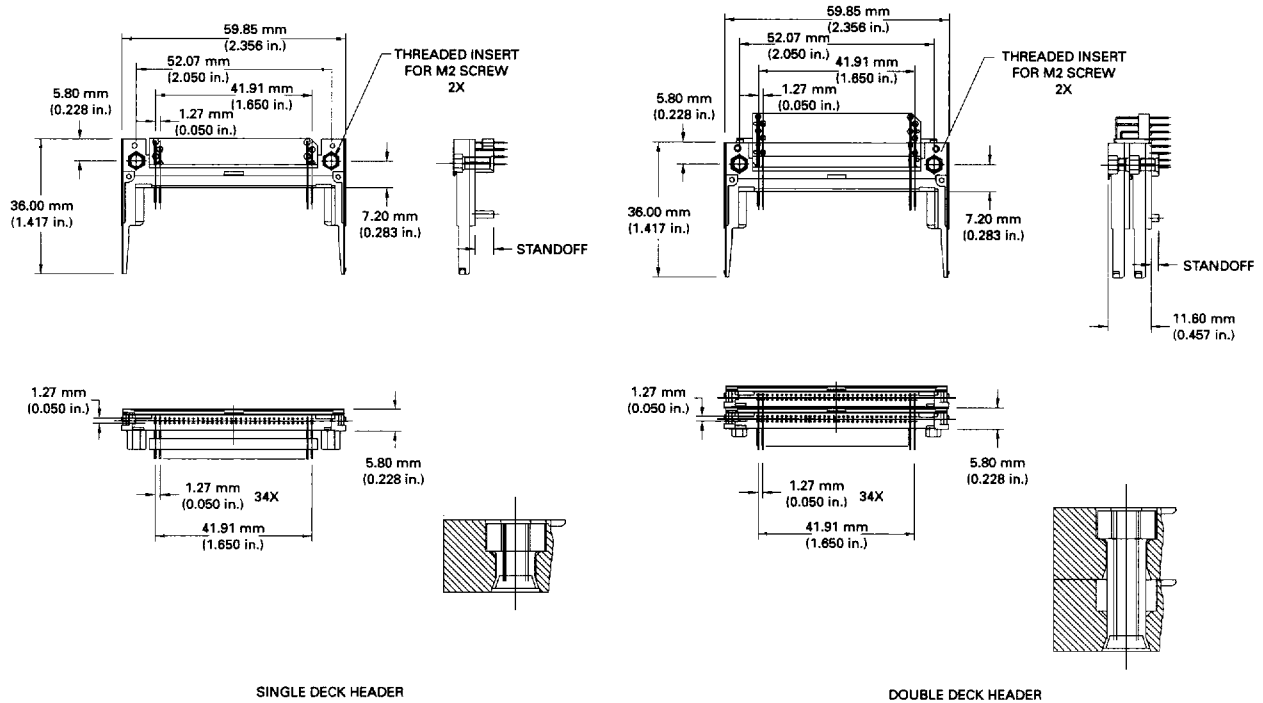
Push Rod Location	PCB Side	Solder Tail	Standoff (mm)	Order Header Part Number 92140-										and Mechanism P/N 95033-		
				000	001	002	020	040	500	501	502	520	540	110	111	112
Right	Above	R/A	none													
Left	Below	R/A	none													
Right	Above	R/A	2													
Left	Below	R/A	2													
Right	Above	R/A	5													
Left	Below	R/A	5													
Right	Above	SMT-IL	none													
Left	Below	SMT-IL	none													
Right	Above	SMT-Stg	none													
Left	Below	SMT-Stg	none													

**Note:** Pushrod location is described as it appears to the user once installed in the system.  
Optional headers with threaded inserts. See page 4-26.

- Solder Tail Key:
- R/A = Right Angle pin-through-hole
  - SMT-Stg = Staggered surface mount
  - SMT-IL = Surface mount in-line (single row)

**Single & Double Deck Header  
With Threaded Insert**

**Description  
Type I, II, III & Double Deck Header  
With Threaded Inserts**

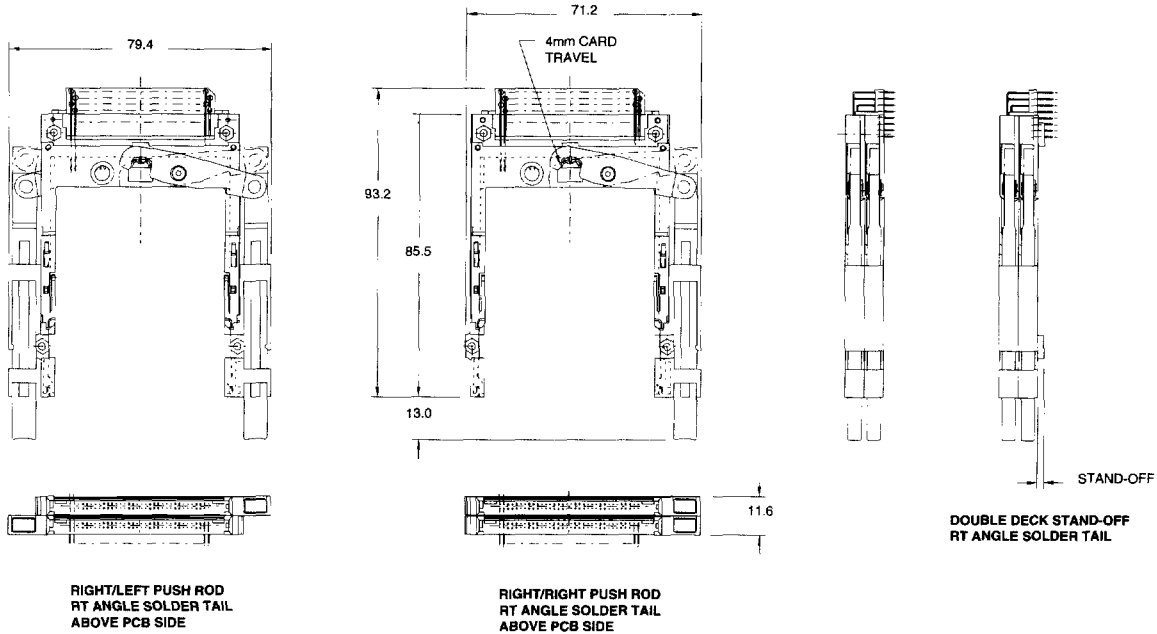


**Ordering Data  
Berg PCMCIA Component Selector  
Type I, II, III & Double Deck Header**

To specify a header with a threaded insert substitute the headers shown below for the 92140-XXX series headers.  
To specify a 3.3 volt single deck header without a threaded insert substitute header part number 94898-XXX for 95706-XXX in the table below.

Voltage	Single Deck Header		Double Deck Header	
5.0	92140-000	Substitute with 92856-000	92140-000 and 92140-005	Substitute with 92821-000
5.0	92140-001	Substitute with 92856-001	92140-040 and 92140-045	Substitute with 92821-040
5.0	92140-002	Substitute with 92856-002	92140-500 and 92140-505	Substitute with 92821-500
5.0	92140-010	Substitute with 92856-010	92140-540 and 92140-545	Substitute with 92821-540
5.0	92140-020	Substitute with 92856-020		
5.0	92140-040	Substitute with 92856-040		
5.0	92140-500	Substitute with 92856-500		
5.0	92140-501	Substitute with 92856-501		
5.0	92140-502	Substitute with 92856-502		
5.0	92140-510	Substitute with 92856-510		
5.0	92140-520	Substitute with 92856-520		
5.0	92140-540	Substitute with 92856-540		
3.3	94898-000	Substitute with 95706-000	94898-000 and 94898-005	Substitute with 95705-000
3.3	94898-001	Substitute with 95706-001	94898-040 and 94898-045	Substitute with 95705-040
3.3	94898-002	Substitute with 95706-002	94898-500 and 94898-505	Substitute with 95705-500
3.3	94898-010	Substitute with 95706-010	94898-540 and 94898-545	Substitute with 95705-540
3.3	94898-020	Substitute with 95706-020		
3.3	94898-040	Substitute with 95706-040		
3.3	94898-500	Substitute with 95706-500		
3.3	94898-501	Substitute with 95706-501		
3.3	94898-502	Substitute with 95706-502		
3.3	94898-510	Substitute with 95706-510		
3.3	94898-520	Substitute with 95706-520		
3.3	94898-540	Substitute with 95706-540		

**Description**  
Type I, II, III Double Deck Front Eject Header  
4 mm Card Travel



4

**Ordering Data**  
Berg PCMCIA Component Selector  
Type I, II, III Double Deck Front Eject Header  
4 mm Card Travel

Push Rod Location		PCB Side	Standoff (mm)	Order Two Header Part Numbers 92140-								and Two Mechanism Part Numbers 92192-						To Make Final Assy. Part Number
Upper	Lower			000	005	040	045	500	505	540	545	00CA	00CA	10CA	10CA	02CA	12CA	
Right	Left	Above	none														92194-000CA	
Left	Right	Above	none														92194-100CA	
Right	Right	Above	none														92194-200CA	
Left	Left	Above	none														92194-300CA	
Right	Left	Below	none														92194-500CA	
Left	Right	Below	none														92194-600CA	
Right	Right	Below	none														92194-700CA	
Left	Left	Below	none														92194-800CA	
Right	Left	Above	2														92194-020CA	
Left	Right	Above	2														92194-120CA	
Right	Right	Above	2														92194-220CA	
Left	Left	Above	2														92194-320CA	
Right	Left	Below	2														92194-520CA	
Left	Right	Below	2														92194-620CA	
Right	Right	Below	2														92194-720CA	
Left	Left	Below	2														92194-820CA	

**Note:** Pushrod location is described as it appears to the user once installed in the system.

Optional headers with threaded inserts. See page 4-26.

**Important:** Two header and two mechanism P/N's must be used for each double deck assembly.

**Example:** A dual eject header which mounts underneath the PCB with no standoff that has the upper push rod on the right and the lower pushrod on the left has a final assembly P/N: 92194-500CA

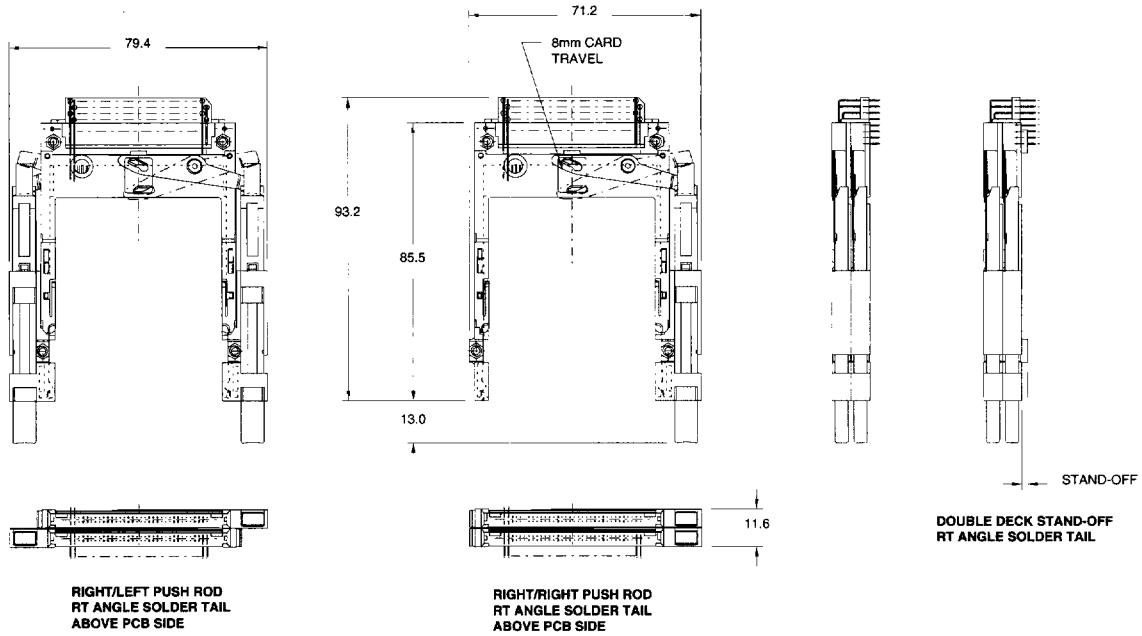
It is made from components:      92140-500      92192-10CA  
   92140-505      92192-00CA



**Double Deck Extended Travel Front Eject Header  
8 mm Card Travel**

**Description**

**Type I, II, III Double Deck Front Eject Header  
8 mm (Extended) Card Travel**



**Ordering Data**

**Berg PCMCIA Component Selector  
Type I, II, III Double Deck Front Eject Header  
8 mm (Extended) Card Travel**

Push Rod Locations	Lower	PCB Side	Standoff (mm)	Order Two Header Part Numbers 92140-								and Two Mechanism Part Numbers 94613-					
				009	005	040	045	500	505	540	545	00CA	00CA	10CA	10CA	02CA	12CA
Upper	Right	Above	none														
Upper	Left	Above	none														
Upper	Right	Above	none														
Upper	Left	Above	none														
Upper	Right	Below	none														
Upper	Left	Below	none														
Upper	Right	Below	none														
Upper	Left	Below	none														
Upper	Right	Above	2														
Upper	Left	Above	2														
Upper	Right	Above	2														
Upper	Left	Above	2														
Upper	Right	Below	2														
Upper	Left	Below	2														
Upper	Right	Below	2														
Upper	Left	Below	2														

**Note:** Pushrod location is described as it appears to the user once installed in the system.

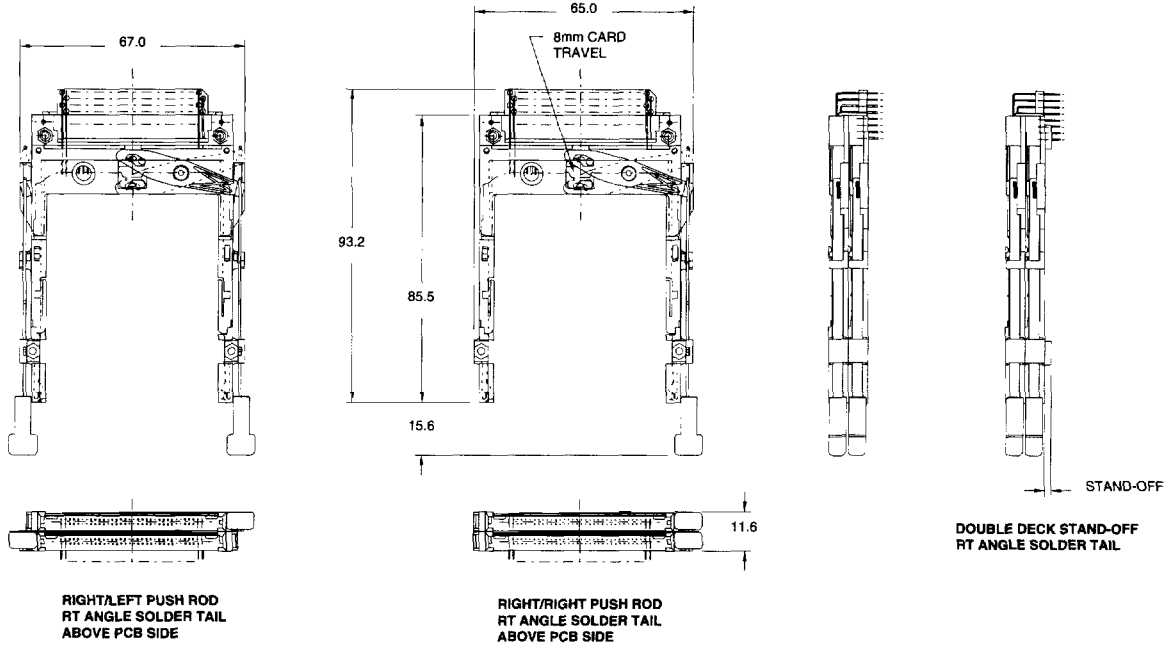
Optional headers with threaded inserts. See page 4-26.

**Important:** Two header and two mechanism P/N's must be used for each double deck assembly.

**Example:** A dual eject header which mounts underneath the PCB with no standoff that has the upper push rod on the right and the lower pushrod on the left is made from components: 92140-500 94613-10CA  
92140-505 94613-00CA

**Description**

**Type I, II, III Double Deck, Narrow Body, Front Eject Header  
65 mm Wide, 8 mm (Extended) Card Travel**



4

**Ordering Data**

**Berg PCMCIA Component Selector**

**Type I, II, III Double Deck, Narrow Body, Front Eject Header  
65 mm Wide, 8 mm (Extended) Card Travel**

Push Rod Location		PCB Side	Standoff (mm)	Order Two Header Part Numbers 92140-								and Two Mechanism Part Numbers 95079-					To Make Final Assy. Part Number
Upper	Lower			000	005	040	045	500	505	540	545	00CA	00CA	10CA	10CA	02CA	
Right	Left	Above	none	■							■	■	■	■			94050-00CA
Left	Right	Above	none	■							■	■	■	■			94050-100CA
Right	Right	Above	none								■	■	■	■			94050-200CA
Left	Left	Above	none								■	■	■	■			94050-300CA
Right	Left	Below	none					■	■		■	■	■	■			94050-500CA
Left	Right	Below	none					■	■		■	■	■	■			94050-600CA
Right	Right	Below	none					■	■		■	■	■	■			94050-700CA
Left	Left	Below	none					■	■		■	■	■	■			94050-800CA
Right	Left	Above	2								■	■	■	■		■	94050-020CA
Left	Right	Above	2								■	■	■	■		■	94050-120CA
Right	Right	Above	2								■	■	■	■		■	94050-220CA
Left	Left	Above	2								■	■	■	■		■	94050-320CA
Right	Left	Below	2								■	■	■	■		■	94050-520CA
Left	Right	Below	2								■	■	■	■		■	94050-620CA
Right	Right	Below	2								■	■	■	■		■	94050-720CA
Left	Left	Below	2								■	■	■	■		■	94050-820CA

**Note:** Pushrod location is described as it appears to the user once installed in the system.

Optional headers with threaded inserts. See page 4-26.

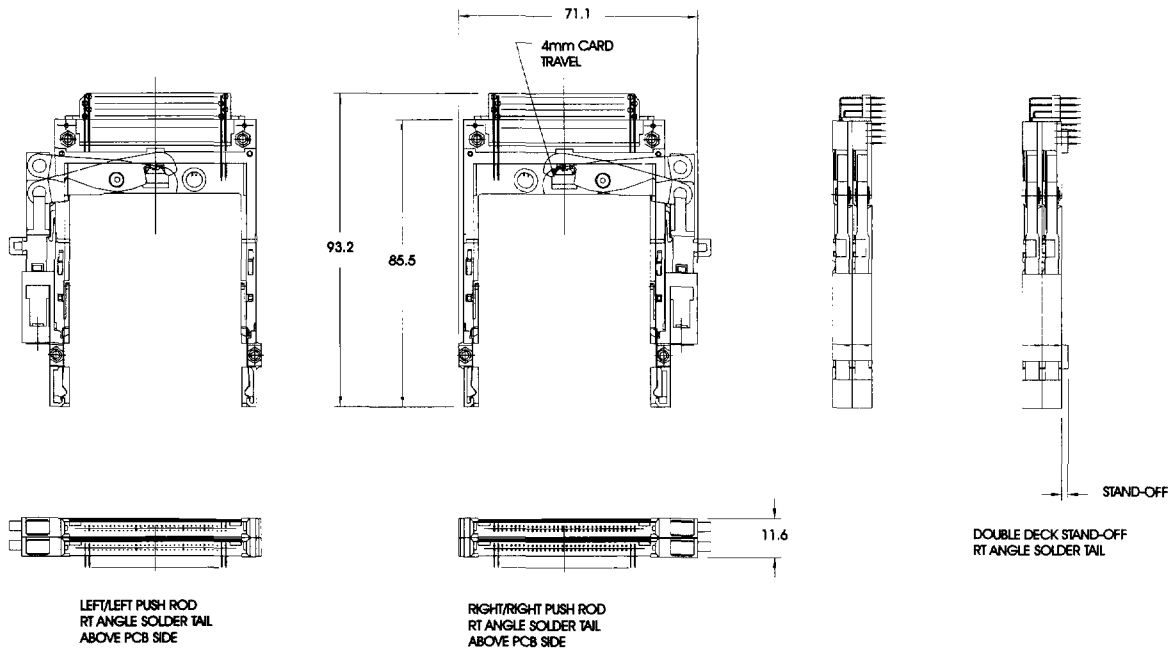
**Important:** Two header and two mechanism P/N's must be used for each double deck assembly.

**Example:** A dual eject header which mounts underneath the PCB with no standoff that has the upper push rod on the right and the lower pushrod on the left is made from components: 92140-500 95079-10CA  
92140-505 95079-00CA

**Double Deck Side Eject Header**  
**4 mm Card Travel**

**Description**

**Type I, II, III Double Deck Side Eject Header**  
**4 mm Card Travel**



**Ordering Data**

**Berg PCMCIA Component Selector**  
**Type I, II, III Double Deck Side Eject Header**  
**4 mm Card Travel**

Push Rod Location	PCB Side	Standoff (mm)	Order Two Header Part Numbers 92140-								and Two Mechanism Part Numbers 92800-						
			000	005	040	045	500	505	540	545	110	110	111	210	210	211	
Upper	Lower	Above	none														
Right	Left	Above	none														
Left	Right	Above	none														
Right	Right	Above	none														
Left	Left	Above	none														
Right	Left	Below	none														
Left	Right	Below	none														
Right	Right	Below	none														
Left	Left	Below	none														
Right	Left	Above	2														
Left	Right	Above	2														
Right	Right	Above	2														
Left	Left	Above	2														
Right	Left	Below	2														
Left	Right	Below	2														
Right	Right	Below	2														
Left	Left	Below	2														

**Note:** Pushrod location is described as it appears to the user once installed in the system.

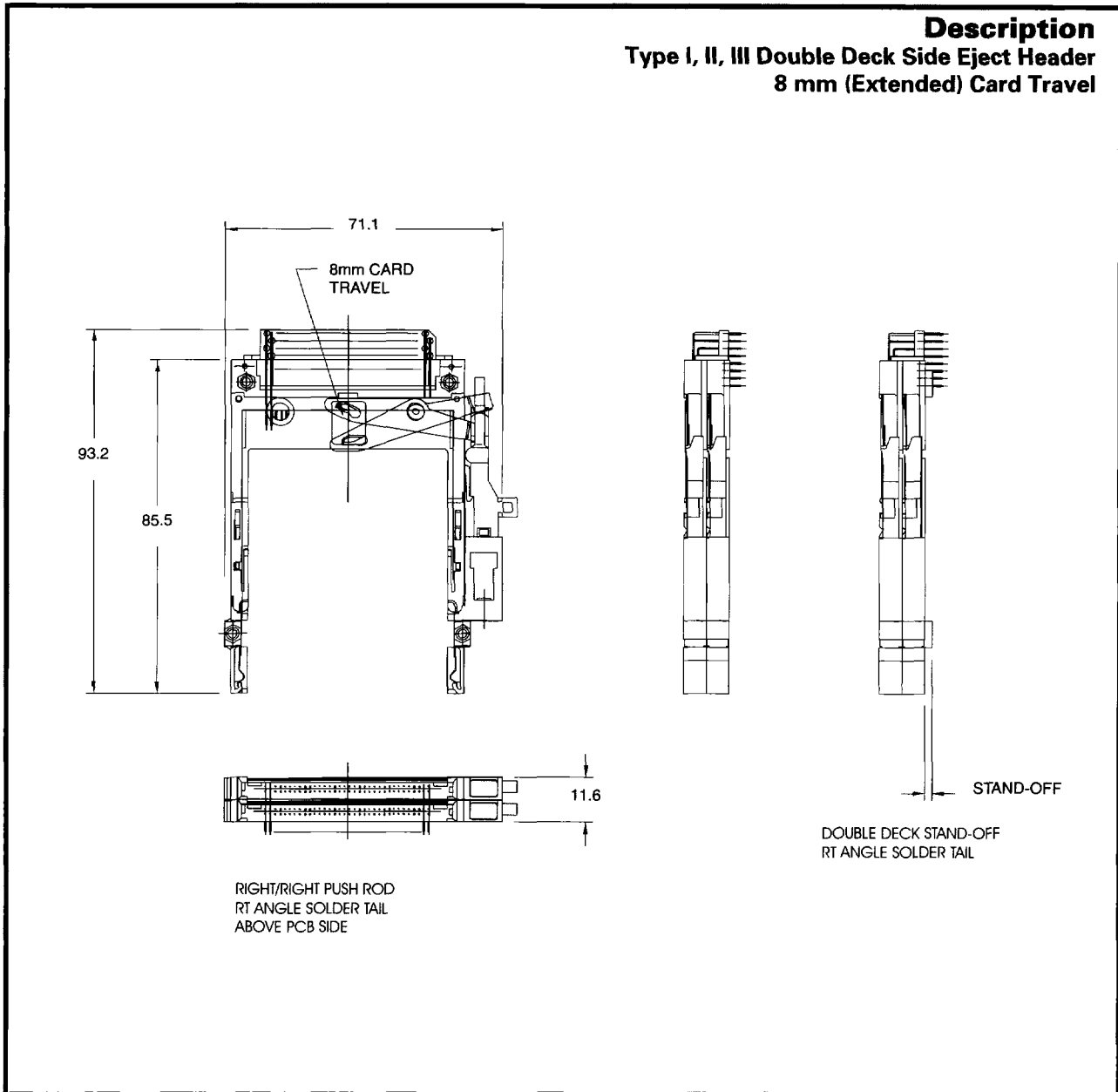
Optional headers with threaded inserts. See page 4-26.

**Important:** Two header and two mechanism P/N's must be used for each double deck assembly.

**Example:** A dual eject header which mounts underneath the PCB with no standoff that has the upper push rod on the right and the lower pushrod on the left is made from components:

92140-500	92800-210
92140-505	92800-110

**Description**  
Type I, II, III Double Deck Side Eject Header  
8 mm (Extended) Card Travel



**Ordering Data**  
Berg PCMCIA Component Selector  
Type I, II, III Double Deck Side Eject Header  
8 mm (Extended) Card Travel

Push Rod Location		PCB Side	Standoff (mm)	Order Two Header Part Numbers 92140-						and Two Mechanism Part Numbers 95033-			
Upper	Lower			000	005	040	045	500	505	540	545	110	110
Right	Right	Above	none										
Left	Left	Below	none										
Right	Right	Above	2										
Left	Left	Below	2										

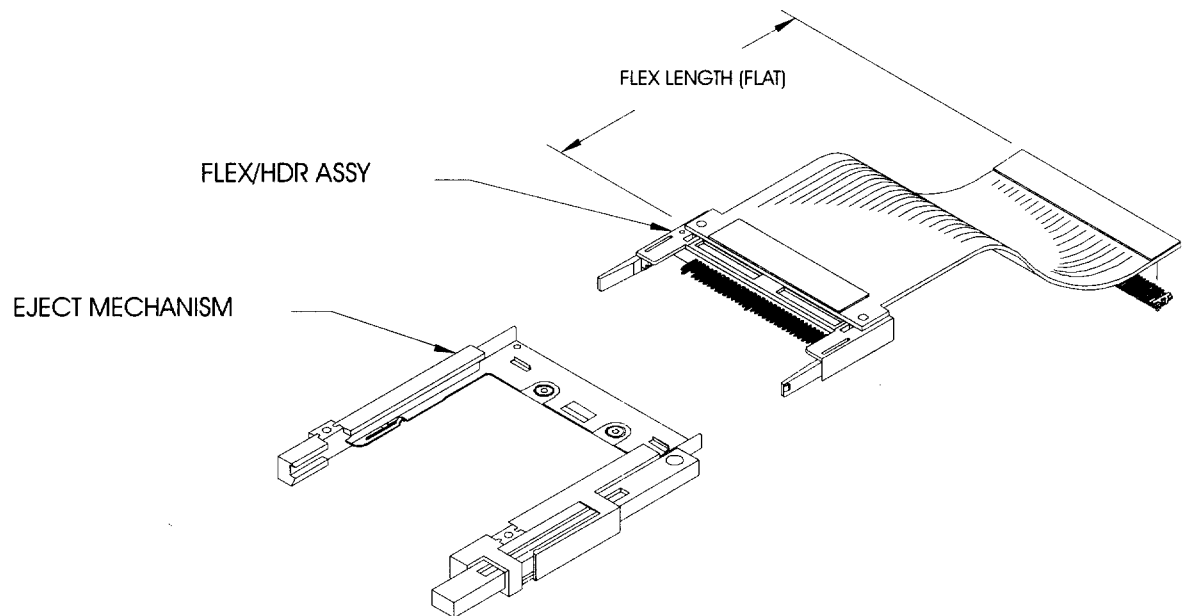
**Note:** Pushrod location is described as it appears to the user once installed in the system.

Optional headers with threaded inserts. See page 4-26.

**Important:** Two header and two mechanism P/N's must be used for each double deck assembly.

**Example:** A dual eject header which mounts underneath the PCB with no standoff that has the upper push rod on the left and the lower pushrod on the left is made from components: 92140-500 95033-110  
92140-505 95033-110

**Description**  
**Single Deck Flex Mount Front Eject Header**

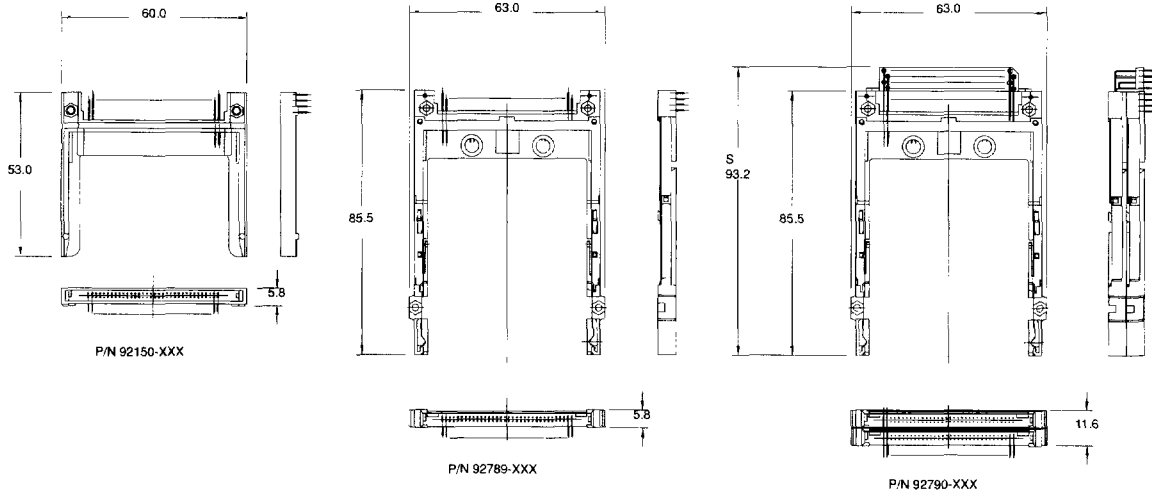


**Ordering Data**  
**Berg PCMCIA Component Selector**  
**Single Deck Flex Mount Front Eject Header**

Description	Order Header Part #	& Mechanism P/N*	Push Rod Location	Flex Length (mm)
4mm travel	94058-20320	92192-00CA	Right	30
4mm travel	94058-20520	92192-00CA	Right	50
4mm travel	94058-20820	92192-00CA	Right	80
4mm travel	94058-20320	92192-10CA	Left	30
4mm travel	94058-20520	92192-10CA	Left	50
4mm travel	94058-20820	92192-10CA	Left	80
8mm travel	94058-20320	95079-00CA	Right	30
8mm travel	94058-20520	95079-00CA	Right	50
8mm travel	94058-20820	95079-00CA	Right	80
8mm travel	94058-20320	95079-10CA	Left	30
8mm travel	94058-20520	95079-10CA	Left	50
8mm travel	94058-20820	95079-10CA	Left	80

\*NOTE: Any mechanism part number can be used interchangeably to make other style flex mount eject headers.  
 Order two single deck header and mechanism part numbers to make a double deck header.  
 Order spacer part number 93230-002 to allow two Type III cards to be used in a double deck header.  
 Note also: Conan™ header on flex circuit can be mated with Conan™ receptacle P/N 91930-21169, which must be ordered separately.

**Description**  
Single and Double Deck Non-Eject Header



4

**Ordering Data**  
Type I, II, III Single Deck Non-Eject Header

Solder Tail Style	PCB Side	Standoff (mm)	Order Header Part Number 92140-										and Mechanism Part Number 92791-				To Make Final Assy. Part Number		
			000	001	002	010	020	040	500	501	502	510	520	540	001	021		041	051
Through Hole	Above	none	■																92789-000
Through Hole	Below	none																	92789-500
Through Hole	Above	2																	92789-020
Through Hole	Below	2																	92789-520
Through Hole	Above	4				■													92789-040
Through Hole	Below	4					■												92789-540
Through Hole	Above	5						■											92789-050
Through Hole	Below	5							■										92789-550
2-row SMT	Above	none		■															92789-001
2-row SMT	Below	none								■									92789-501
In-line SMT	Above	none			■														92789-002
In-line SMT	Below	none																	92789-502
SMT	Above	none	Order final assembly part number 92150-001															92150-001	
Through Hole	Above	none	Order final assembly part number 92150-002															92150-002	

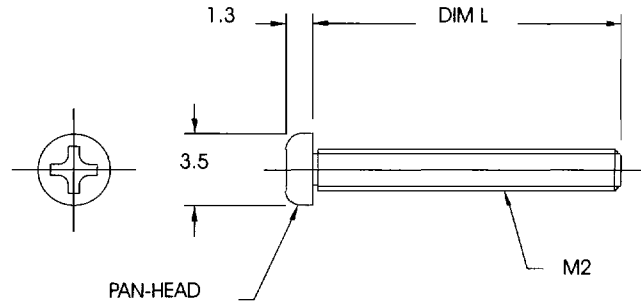
**Ordering Data**  
Type I, II, III Double Deck Non-Eject Header

Solder Tail Style	PCB Side	Standoff (mm)	Order Two Header Part Numbers 92140-								and Two Rail Part Numbers 92791-			To Make Final Assy. Part Number					
			000	005	040	045	500	505	540	545	001	001	022						
Through Hole	Above	none	■																92790-000
Through Hole	Above	2																	92790-020
Through Hole	Below	none																	92790-500
Through Hole	Below	2																	92790-520

Important: Two header and two mechanism P/N's must be used to make a Double Deck Non-Eject Header.

**Description**

Screw and nut for single and double stack eject header

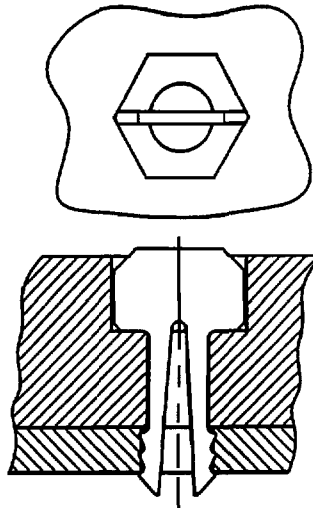


2.0 mm Nut Part Number 92869-001

**Ordering Data**

Part Number	Dimension L		Application	Stand-Off Height	
	mm	in.		mm	in.
95121-001	6.00	0.236	Single Deck	0.00	0.000
95121-002	12.00	0.472	Single Deck	5.00	0.197
95121-002	12.00	0.472	Double Deck	0.00	0.000
95121-003	14.00	0.551	Double Deck	2.00 & 2.20	0.079 & 0.087
95121-004	8.00	0.315	Single Deck	2.00 & 2.20	0.079 & 0.087
95121-005	10.00	0.394	Single Deck	4.00 & 4.30	0.157 & 0.169
95121-006	16.00	0.630	Double Deck	4.00 & 4.30	0.157 & 0.169
95121-007	18.00	0.709	Double Deck	5.00	0.197

**Description**



**Ordering Data**

Solderable Hold Downs

Part Number	Application	For Use With Standoff Height	
		mm	in.
93925-001	Single Deck	zero	zero
93925-002	Single Deck	2.00 & 2.20	0.079 & 0.087
93925-003	Single Deck	4.00 & 4.30	0.157 & 0.169
93925-004	Single Deck	5.00	0.197
93925-005	Double Deck	zero	zero
93925-006	Double Deck	2.00 & 2.20	0.079 & 0.087
93925-007	Double Deck	4.00 & 4.30	0.157 & 0.169
93925-008	Double Deck	5.00	0.197