

953733-1 ✓ ACTIVE

AMP MCP Connector System

TE Internal #: 953733-1

Housing for Male Terminals, Wire-to-Wire, 4 Position, Black, Wire & Cable, Signal, Cable Mount (Free-Hanging), AMP MCP Connector System

[View on TE.com >](#)



Connectors > Automotive Connectors > Connector Housings > AMP MCP, UNSEALED CONNECTOR HOUSING



Connector & Housing Type: **Housing for Male Terminals**

Mating Tab Width: **1.5 mm [.06 in]**

Connector System: **Wire-to-Wire**

Number of Positions: **4**

Sealable: **No**

[All AMP MCP, UNSEALED CONNECTOR HOUSING \(187\)](#)

Features

Product Type Features

Connector & Housing Shape	Rectangular
Connector & Housing Type	Housing for Male Terminals
Connector System	Wire-to-Wire
Sealable	No
Hybrid Connector	No
Primary Locking Feature	Integrated in Housing
Connector & Contact Terminates To	Wire & Cable

Configuration Features

Number of Positions	4
Number of Rows	1

Electrical Characteristics

Nominal Voltage Architecture	16 V
------------------------------	------

Body Features

Cable Exit Angle	180°
Body Material	PBT GF
Primary Product Color	Black

Contact Features

Contact Size	1.5mm
Contact Type	Tab
Mating Tab Width	1.5 mm[.06 in]

Mechanical Attachment

Mounting Feature	With
Terminal Position Assurance	Yes
Strain Relief	Without
Mating Alignment Type	Keyed
Mating Alignment	With
Connector Mounting Type	Cable Mount (Free-Hanging)

Dimensions

Product Width	49.5 mm[1.94 in]
Product Length	25 mm[.984 in]
Product Height	17.7 mm[.696 in]

Usage Conditions

Operating Temperature (Max)	70 °C, 75 °C, 80 °C, 85 °C[158 °F][167 °F] [176 °F][185 °F]
Operating Temperature Range	-40 – 85 °C[-40 – 185 °F]

Operation/Application

Circuit Application	Signal
---------------------	--------

Packaging Features

Packaging Quantity	700
Packaging Method	Box

Other

Connector Position Assurance Capable	No
--------------------------------------	----

Product Compliance

For compliance documentation, visit the product page on [TE.com](https://www.te.com)>

EU RoHS Directive 2011/65/EU	Compliant
EU ELV Directive 2000/53/EC	Compliant
China RoHS 2 Directive MIIT Order No 32, 2016	No Restricted Materials Above Threshold
EU REACH Regulation (EC) No. 1907/2006	Current ECHA Candidate List: JUNE 2022 (224) Candidate List Declared Against: JUNE 2022 (224) Does not contain REACH SVHC
Halogen Content	BFR/CFR/PVC Free, but Br/Cl >900 ppm in other sources.
Solder Process Capability	Not applicable for solder process capability

Product Compliance Disclaimer

This information is provided based on reasonable inquiry of our suppliers and represents our current actual knowledge based on the information they provided. This information is subject to change. The part numbers that TE has identified as EU RoHS compliant have a maximum concentration of 0.1% by weight in homogenous materials for lead, hexavalent chromium, mercury, PBB, PBDE, DBP, BBP, DEHP, DIBP, and 0.01% for cadmium, or qualify for an exemption to these limits as defined in the Annexes of Directive 2011/65/EU (RoHS2). Finished electrical and electronic equipment products will be CE marked as required by Directive 2011/65/EU. Components may not be CE marked. Additionally, the part numbers that TE has identified as EU ELV compliant have a maximum concentration of 0.1% by weight in homogenous materials for lead, hexavalent chromium, and mercury, and 0.01% for cadmium, or qualify for an exemption to these limits as defined in the Annexes of Directive 2000/53/EC (ELV). Regarding the REACH Regulation, the information TE provides on SVHC in articles for this part number is based on the latest European Chemicals Agency (ECHA) 'Guidance on requirements for substances in articles' posted at this URL: <https://echa.europa.eu/guidance-documents/guidance-on-reach>

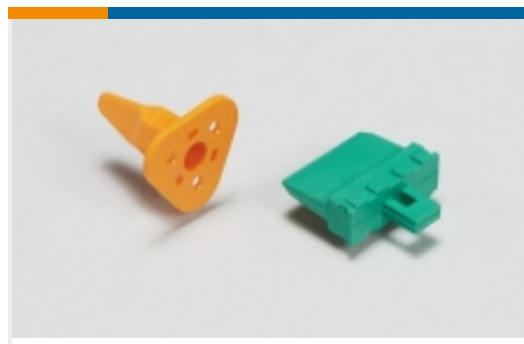
Compatible Parts

 <p>TE Part # CAT-AM705-CH8173 AMP MCP, UNSEALED CONNECTOR HOUSING</p>	 <p>TE Part # 1379822-1 4W REC ASY GENE2 SHOR BLK</p>	 <p>TE Part # 1379822-4 4W REC ASY GENE2 SHOR BLU</p>
---	---	--

Also in the Series | AMP MCP Connector System



Automotive Connector Caps & Covers (24)



Automotive Connector Locks & Position Assurance(7)



Automotive Housings(352)



Automotive Seals & Cavity Plugs(6)



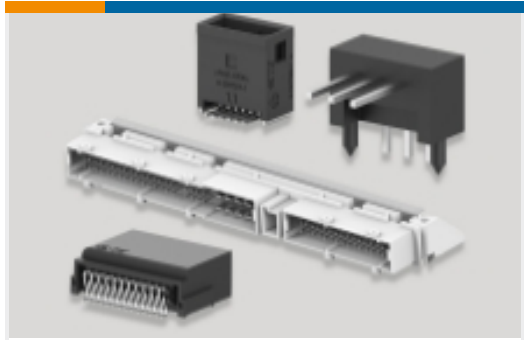
Automotive Terminals(125)



Insertion & Extraction Tools(13)

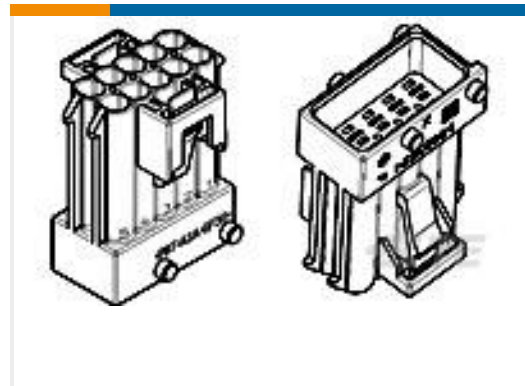


Other Automotive Connector Accessories(2)

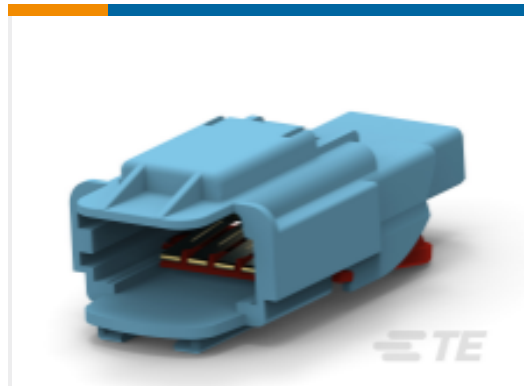


PCB Headers & Receptacles(29)

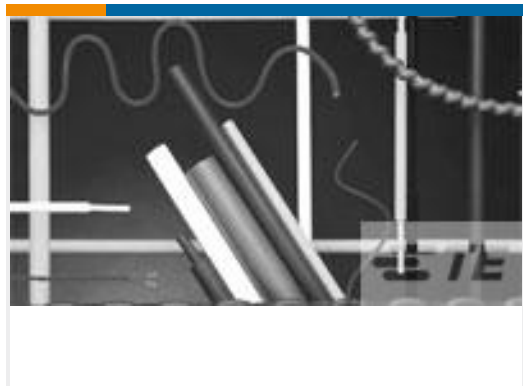
Customers Also Bought



TE Part #185176-3
5W TAB JPT OVERMOLDED SEAL



TE Part #953733-4
4W MCP TAB HSG SV ASSY



TE Part #CV42866001
CGPT-6/2-0-32MM



TE Part #185513-1
SOCKET HSG 8P WITH 2 SHT



TE Part #6900054003
LSTT-4.8-6-SP



TE Part #2-1333281-9
CRIMPER, WIRE, F PREMIUM (.080")



TE Part #2151256-2
OCEAN_2.0_Applicator-S-090F120F



TE Part #6-456406-9
CRIMPER, WIRE



TE Part #8-683453-0
CRIMPER, INSULATION "F"(.055")



TE Part #CH41316001
LSTT-6.4-0-24MM

Documents



Product Drawings

[4W MCP TAB HSG SV ASSY](#)

English

CAD Files

[3D PDF](#)

3D

Customer View Model

[ENG_CVM_CVM_953733-1_C_c-953733-1-c.2d_dxf.zip](#)

English

Customer View Model

[ENG_CVM_CVM_953733-1_C_c-953733-1-c.3d_igs.zip](#)

English

Customer View Model

[ENG_CVM_CVM_953733-1_C_c-953733-1-c.3d_stp.zip](#)

English

By downloading the CAD file I accept and agree to the [Terms and Conditions](#) of use.

Product Specifications

[Product Specification](#)

English

[Product Specification](#)

English

Instruction Sheets

[Instruction Sheet \(non U.S.\)](#)

English

[Instruction Sheet \(non U.S.\)](#)

French