

966595-1 ✓ ACTIVE

## Timer Connector System

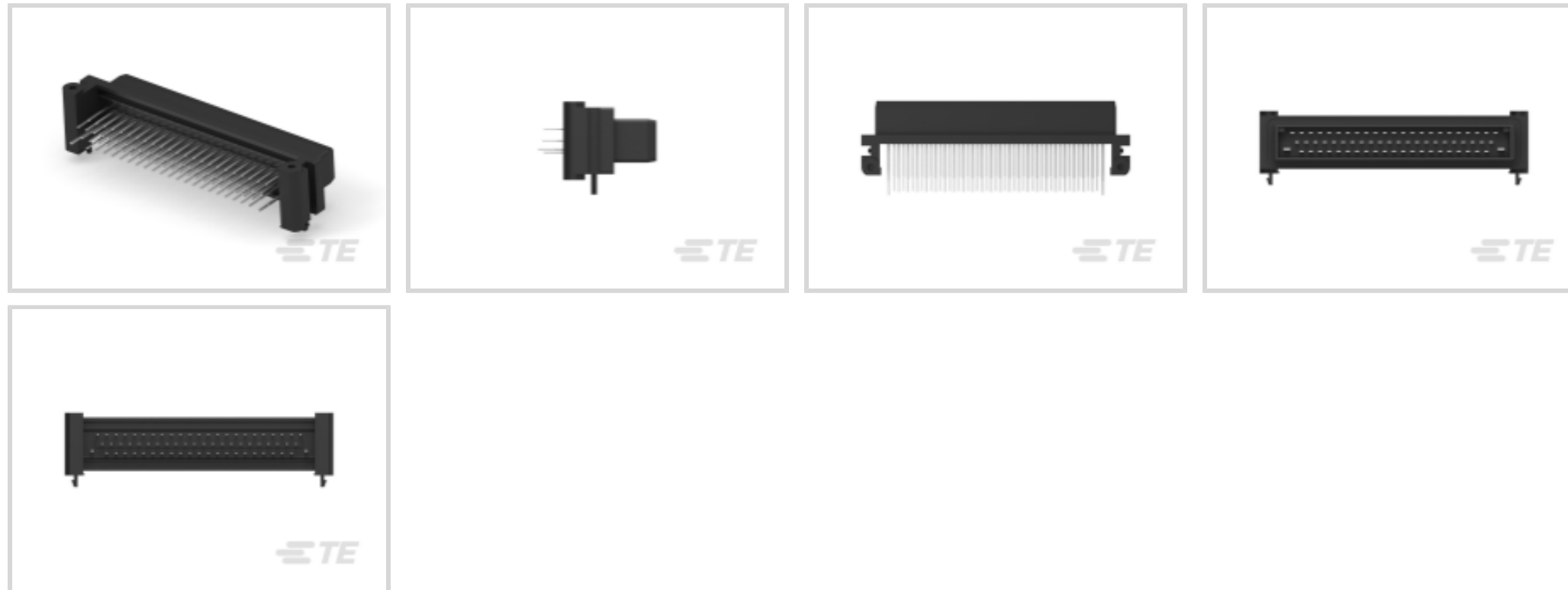
TE Internal #: 966595-1

PCB Mount Header, Horizontal, Wire-to-Board, 68 Position, .157 in [4 mm] Centerline, Fully Shrouded, Tin (Sn), Timer Connector System

[View on TE.com >](#)



Connectors > PCB Connectors > PCB Headers & Receptacles > HIGH PIN COUNT HEADER



Connector System: **Wire-to-Board**

Number of Positions: **68**

Centerline (Pitch): **4 mm [ .157 in ]**

Sealable: **No**

PCB Mount Orientation: **Horizontal**

[All HIGH PIN COUNT HEADER \(141\)](#)

## Features

### Product Type Features

Hybrid Header	Yes
Connector & Housing Shape	Rectangular
PCB Connector Assembly Type	PCB Mount Header
Header Type	Fully Shrouded
Connector System	Wire-to-Board
Sealable	No

### Configuration Features

Number of Sections	1
Number of Signal Positions	68
Number of Positions	68
PCB Mount Orientation	Horizontal
Number of Rows	3



### Body Features

Primary Product Color	Black
-----------------------	-------

### Contact Features

Contact Size	1.6mm, 3mm
Contact Type	Tab
Mating Tab Width	1.6 mm, 3 mm [.062 in][.118 in]
Mating Tab Thickness	.6 mm, .8 mm [.023 in][.031 in]
Contact Mating Area Plating Material	Tin (Sn)

### Termination Features

Termination Method to Printed Circuit Board	Through Hole - Solder
---	-----------------------

### Mechanical Attachment

Mounting Holes	With
Mating Alignment	With
PCB Mount Alignment	With
Panel Mount Feature	Without
PCB Mount Retention	With
PCB Mount Retention Type	Mounting Hole

### Housing Features

Centerline (Pitch)	4 mm [.157 in]
--------------------	----------------

### Dimensions

Connector Length	116.3 mm [4.57 in]
Connector Width	23 mm [.905 in]
Profile Height from PCB	28.5 mm [1.12 in]

### Operation/Application

Shielded	No
Circuit Application	Signal

### Packaging Features

Packaging Type	Tray
Packaging Quantity	18

### Product Compliance

[For compliance documentation, visit the product page on TE.com>](#)



EU RoHS Directive 2011/65/EU	Compliant
EU ELV Directive 2000/53/EC	Compliant
China RoHS 2 Directive MIIT Order No 32, 2016	No Restricted Materials Above Threshold
EU REACH Regulation (EC) No. 1907/2006	Current ECHA Candidate List: JUNE 2022 (224) Candidate List Declared Against: JAN 2022 (223) SVHC > Threshold: Not Yet Reviewed
Halogen Content	BFR/CFR/PVC Free, but Br/Cl >900 ppm in other sources.
Solder Process Capability	Not applicable for solder process capability

Product Compliance Disclaimer

This information is provided based on reasonable inquiry of our suppliers and represents our current actual knowledge based on the information they provided. This information is subject to change. The part numbers that TE has identified as EU RoHS compliant have a maximum concentration of 0.1% by weight in homogenous materials for lead, hexavalent chromium, mercury, PBB, PBDE, DBP, BBP, DEHP, DIBP, and 0.01% for cadmium, or qualify for an exemption to these limits as defined in the Annexes of Directive 2011/65/EU (RoHS2). Finished electrical and electronic equipment products will be CE marked as required by Directive 2011/65/EU. Components may not be CE marked. Additionally, the part numbers that TE has identified as EU ELV compliant have a maximum concentration of 0.1% by weight in homogenous materials for lead, hexavalent chromium, and mercury, and 0.01% for cadmium, or qualify for an exemption to these limits as defined in the Annexes of Directive 2000/53/EC (ELV). Regarding the REACH Regulation, the information TE provides on SVHC in articles for this part number is based on the latest European Chemicals Agency (ECHA) 'Guidance on requirements for substances in articles' posted at this URL: <https://echa.europa.eu/guidance-documents/guidance-on-reach>

## Compatible Parts



Also in the Series | [Timer Connector System](#)



Automotive Connector Caps & Covers (11)



Automotive Connector Locks & Position Assurance(16)



Automotive Housings(219)



Automotive Seals & Cavity Plugs(31)



Automotive Terminals(138)



Crimp Terminal Housings(13)



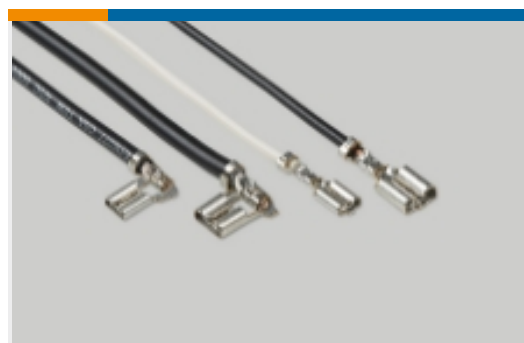
Insertion & Extraction Tools(20)



Other Automotive Connector Accessories(1)



PCB Headers & Receptacles(78)



Quick Disconnects(4)

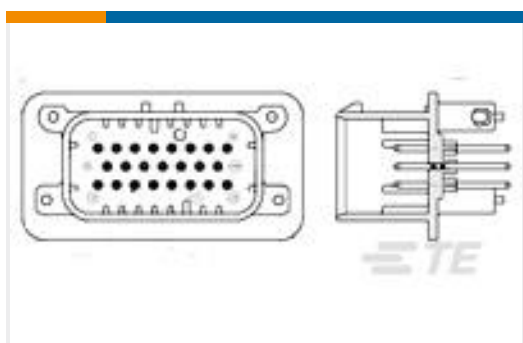
## Customers Also Bought



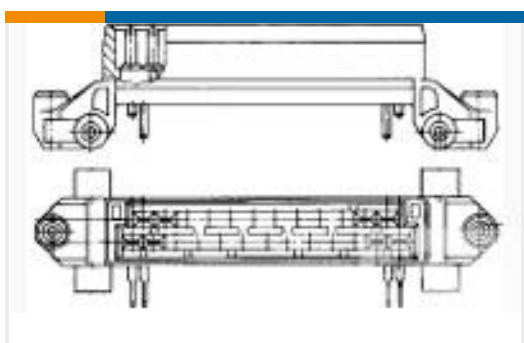
TE Part #185226-1  
SIGNAL HEADER



TE Part #182918-1  
CPC SQ.FL.RCPT STD SEX



TE Part #776228-1  
23POS,PIN DIA 1.3,HDR ASSY,  
180DEG,SLDR



TE Part #827050-1  
25 POS TAB HSG



TE Part #1-770190-0  
15P MINI-UMNL ASSY V0 SNNI\*



TE Part #2236181-1  
PIN CE SIZE 16

## Documents



### Product Drawings

#### MESSERSLEISTE 68P

German

### CAD Files

Customer View Model

[ENG\\_CVM\\_966595-1\\_A1.3d\\_igs.zip](#)

English

Customer View Model

[ENG\\_CVM\\_966595-1\\_A1.3d\\_stp.zip](#)

English

Customer View Model

[ENG\\_CVM\\_966595-1\\_A1.2d\\_dxf.zip](#)

English

**3D PDF**

English

**3D PDF**

3D

Customer View Model

[ENG\\_CVM\\_CVM\\_966595-1\\_A.2d\\_dxf.zip](#)

English

Customer View Model

[ENG\\_CVM\\_CVM\\_966595-1\\_A.3d\\_igs.zip](#)

English

Customer View Model

[ENG\\_CVM\\_CVM\\_966595-1\\_A.3d\\_stp.zip](#)

English

By downloading the CAD file I accept and agree to the [Terms and Conditions](#) of use.

### Product Specifications

Product Specification

English

Product Specification

English