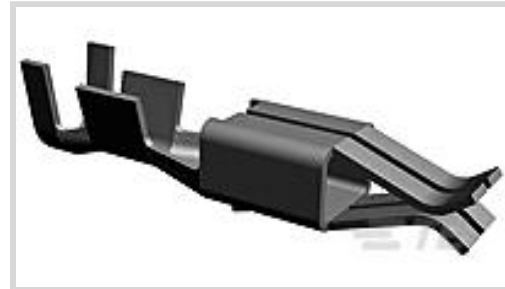




Terminals & Splices > Automotive Terminals > TIMER, RECEPTACLE AND TAB



Terminal Type: **Receptacle**

Mating Tab Width: **2.8 mm [.11 in]**

Mating Tab Thickness: **.8 mm [.031 in]**

Terminal Transmits: **0 – 24 A (Low Power)**

Wire Size: **20 – 15 AWG**

[All TIMER, RECEPTACLE AND TAB \(344\)](#)

## Features

### Product Type Features

Receptacle Style	180°
Sealable	No
Primary Locking Feature	Locking Lance

### Contact Features

Contact Size	2.8mm
Contact Fabrication	Stamped & Formed
Typical Current Rating	20 A
Crimp Type	F-Crimp
Terminal Type	Receptacle
Mating Tab Width	2.8 mm[.11 in]
Mating Tab Thickness	.8 mm[.031 in]
Interface Plating	Gold (Au)

### Termination Features

Termination Method to Wire & Cable	Crimp
Product Terminates To	Wire

### Dimensions

Wire Size	.5 – 1.5 mm <sup>2</sup>
-----------	--------------------------



Wire Size Search	15 AWG, 16 AWG, 17 AWG, 18 AWG, 19 AWG, 20 AWG
------------------	--

Wire Insulation Diameter	2 – 3 mm [.079 – .118 in]
--------------------------	---------------------------

### Usage Conditions

Insulation Option	Uninsulated
-------------------	-------------

Operating Temperature (Max)	80 °C, 85 °C, 90 °C, 100 °C, 105 °C, 110 °C, 120 °C, 125 °C, 130 °C [176 °F][185 °F][194 °F][212 °F][221 °F][230 °F][248 °F][257 °F][266 °F]
-----------------------------	--

Operating Temperature Range	-40 – 130 °C [-40 – 266 °F]
-----------------------------	-----------------------------

### Operation/Application

Compatible With Wire Base Material	Copper
------------------------------------	--------

### Industry Standards

Agency/Standard	IEC 664/664A (DIN VDE 0110)
-----------------	-----------------------------

### Packaging Features

Packaging Method	Carton
------------------	--------

Packaging Quantity	4000
--------------------	------

### Other

Terminal Transmits	0 – 24 A (Low Power)
--------------------	----------------------

### Product Compliance

[For compliance documentation, visit the product page on TE.com>](#)

EU RoHS Directive 2011/65/EU	Compliant
------------------------------	-----------

EU ELV Directive 2000/53/EC	Compliant
-----------------------------	-----------

China RoHS 2 Directive MIIT Order No 32, 2016	No Restricted Materials Above Threshold
---	---

EU REACH Regulation (EC) No. 1907/2006	Current ECHA Candidate List: JUNE 2022 (224) Candidate List Declared Against: JAN 2019 (197) SVHC > Threshold: Not Yet Reviewed
--	--

Halogen Content	Low Halogen - Br, Cl, F, I < 900 ppm per homogenous material. Also BFR/CFR/PVC Free
-----------------	---

Solder Process Capability	Not applicable for solder process capability
---------------------------	--



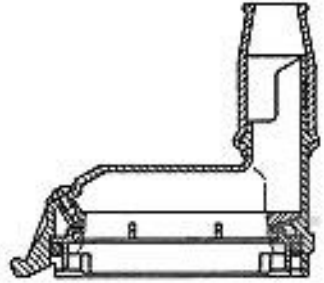
Product Compliance Disclaimer

This information is provided based on reasonable inquiry of our suppliers and represents our current actual knowledge based on the information they provided. This information is subject to change. The part numbers that TE has identified as EU RoHS compliant have a maximum concentration of 0.1% by weight in homogenous materials for lead, hexavalent chromium, mercury, PBB, PBDE, DBP, BBP, DEHP, DIBP, and 0.01% for cadmium, or qualify for an exemption to these limits as defined in the Annexes of Directive 2011/65/EU (RoHS2). Finished electrical and electronic equipment products will be CE marked as required by Directive 2011/65/EU. Components may not be CE marked. Additionally, the part numbers that TE has identified as EU ELV compliant have a maximum concentration of 0.1% by weight in homogenous materials for lead, hexavalent chromium, and mercury, and 0.01% for cadmium, or qualify for an exemption to these limits as defined in the Annexes of Directive 2000/53/EC (ELV). Regarding the REACH Regulations, TE's information on SVHC in articles for this part number is still based on the European Chemical Agency (ECHA) 'Guidance on requirements for substances in articles' (Version: 2, April 2011), applying the 0.1% weight on weight concentration threshold at the finished product level. TE is aware of the European Court of Justice ruling of September 10th, 2015 also known as O5A (Once An Article Always An Article) stating that, in case of 'complex object', the threshold for a SVHC must be applied to both the product as a whole and simultaneously to each of the articles forming part of its composition. TE has evaluated this ruling based on the new ECHA "Guidance on requirements for substances in articles" (June 2017, version 4.0) and will be updating its statements accordingly.

### Compatible Parts



TE Part # 2305570-1  
TERMINAL CUTTER, SIDE FEED



TE Part # 963325-1  
25P J-T GRIFFSCHALE



TE Part # 2-2151270-1  
OCEAN-2.0-APPLICATOR-S-090F130F



TE Part # 2-2151270-2  
OCEAN-2.0-APPLICATOR-S-090F130F



TE Part # 2151270-1  
OCEAN-2.0-APPLICATOR-S-090F130F



TE Part # 2151270-2  
OCEAN-2.0-APPLICATOR-S-090F130F



TE Part # 7-2151270-1  
OCEAN-2.0-APPLICATOR-S-090F130F




TE Part # 7-2151270-2  
OCEAN-2.0-APPLICATOR-S-090F130F



**KIT**  
REPRESENTATION ONLY

TE Part # 7-2151270-7  
OCEAN\_2.0\_SPARE\_PART\_KIT-090F130F



TE Part # 720788-8  
EXTRACTION TOOL FOR MINI SPRING

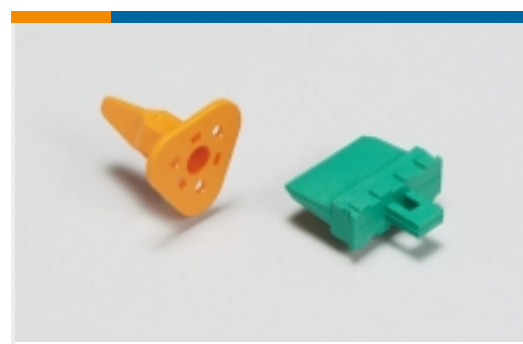


TE Part # 539687-2  
ERGOCRIMP DIE SET TIMER

### Also in the Series | Timer Connector System



Automotive Connector Caps & Covers (11)



Automotive Connector Locks & Position Assurance(16)



Automotive Housings(219)



Automotive Seals & Cavity Plugs(31)



Automotive Terminals(138)



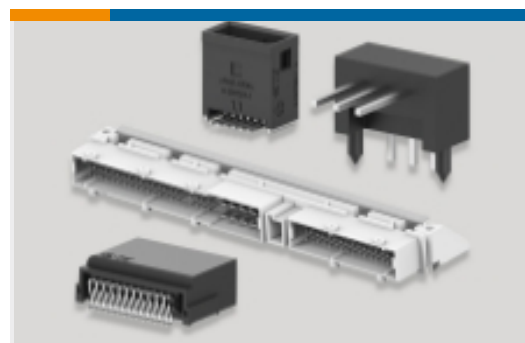
Crimp Terminal Housings(13)



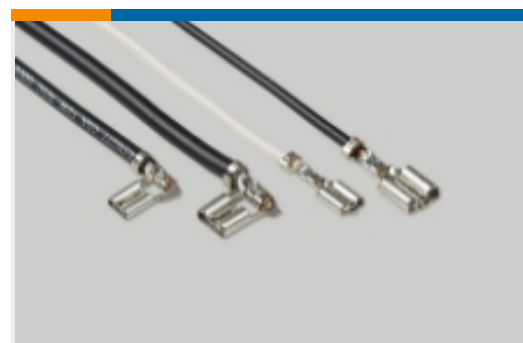
Insertion & Extraction Tools(20)



Other Automotive Connector Accessories(1)



PCB Headers & Receptacles(78)



Quick Disconnects(4)

## Customers Also Bought



TE Part #1-967625-5  
TIMER, CONNECTOR HOUSING



TE Part #165034  
PIDG RING 12-10 1/4



TE Part #DTM04-6P-E003  
REC, 6P, GRY, N, CAP



TE Part #1-1564297-6  
31POS, MIXED,REC HSG,ASSY

## Documents

[Product Drawings](#)  
[MIN FEDERKONTAKT](#)

English

[CAD Files](#)  
[3D PDF](#)  
3D  
[Customer View Model](#)



[ENG\\_CVM\\_CVM\\_925590-3\\_Y\\_c-925590-3-y.2d\\_dxf.zip](#)

English

**Customer View Model**

[ENG\\_CVM\\_CVM\\_925590-3\\_Y\\_c-925590-3-y.3d\\_igs.zip](#)

English

**Customer View Model**

[ENG\\_CVM\\_CVM\\_925590-3\\_Y\\_c-925590-3-y.3d\\_stp.zip](#)

English

By downloading the CAD file I accept and agree to the [Terms and Conditions](#) of use.

---

## Datasheets & Catalog Pages

**Timer Interconnection System**

English

---

## Product Specifications

**Application Specification**

German

**ET\*\* Junior Timer Contact**

English

**Application Specification**

English

**Application Specification**

English

**Application Specification**

Japanese

**CRIMPING L-JETRONIC\* MINI-SPRING CONTACT**

English

**CRIMPING L-JETRONIC\* MINI-SPRING CONTACT**

Japanese