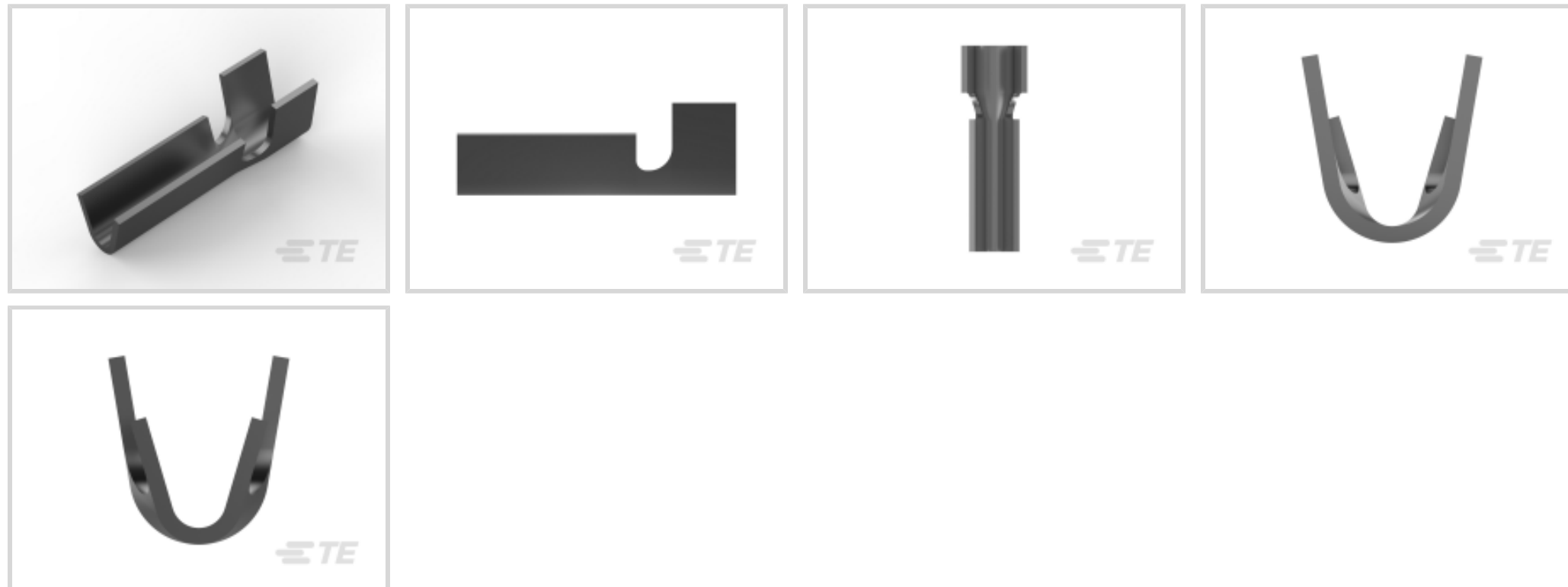




Terminals & Splices > Crimp Wire Pins, Tabs & Ferrules



Crimp Wire Pin, Tab & Ferrule Terminal Type: **Pin**

Accepts Wire Insulation Diameter Range: **2 – 2.5 mm, 2.5 mm [.079 – .098 in, .098 in]**

Wire Size: **642 – 1624 CMA**

Features

Product Type Features

| | |
|--|--------------------|
| Compatible With Discrete Wire Type | Solid, Stranded |
| Wire Insulation Support Retention Type | Insulation Support |

Configuration Features

| | |
|-----------------------------------|---------------|
| Compatible With Wire & Cable Type | Discrete Wire |
|-----------------------------------|---------------|

Contact Features

| | |
|---|----------|
| Crimp Wire Pin, Tab & Ferrule Terminal Type | Pin |
| Barrel Type | Open |
| Terminal Plating Material | Pre-Tin |
| Terminal Orientation | Straight |

Mechanical Attachment

| | |
|-------------------------|------|
| Wire Insulation Support | With |
|-------------------------|------|

Dimensions

| | |
|--|--|
| Accepts Wire Insulation Diameter Range | 2 – 2.5 mm, 2.5 mm [.079 – .098 in][.098 in] |
| Wire Size | 642 – 1624 CMA |
| Barrel Inside Diameter | 1.05 mm [.041 in] |
| Terminal Material Thickness | .33 mm [.013 in] |



| | |
|------------------------|-----------------|
| Overall Product Length | 10.9 mm[.43 in] |
|------------------------|-----------------|

Usage Conditions

| | |
|-------------------|-------------|
| Insulation Option | Uninsulated |
|-------------------|-------------|

Operation/Application

| | |
|------------|----|
| Heavy Duty | No |
|------------|----|

Packaging Features

| | |
|--------------------|-------|
| Packaging Quantity | 15000 |
|--------------------|-------|

| | |
|------------------|------|
| Packaging Method | Reel |
|------------------|------|

Other

| | |
|---------|---------------------------------|
| Comment | According to DIN 46228, Part 2. |
|---------|---------------------------------|

Product Compliance

[For compliance documentation, visit the product page on TE.com>](#)

| | |
|------------------------------|-----------|
| EU RoHS Directive 2011/65/EU | Compliant |
|------------------------------|-----------|

| | |
|-----------------------------|-----------|
| EU ELV Directive 2000/53/EC | Compliant |
|-----------------------------|-----------|

| | |
|---|---|
| China RoHS 2 Directive MIIT Order No 32, 2016 | No Restricted Materials Above Threshold |
|---|---|

| | |
|--|--|
| EU REACH Regulation (EC) No. 1907/2006 | Current ECHA Candidate List: JUNE 2022 (224) Candidate List Declared Against: JAN 2022 (223) SVHC > Threshold: Not Yet Reviewed |
|--|--|

| | |
|-----------------|---|
| Halogen Content | Low Halogen - Br, Cl, F, I < 900 ppm per homogenous material. Also BFR/CFR/PVC Free |
|-----------------|---|

| | |
|---------------------------|--|
| Solder Process Capability | Not applicable for solder process capability |
|---------------------------|--|

Product Compliance Disclaimer

This information is provided based on reasonable inquiry of our suppliers and represents our current actual knowledge based on the information they provided. This information is subject to change. The part numbers that TE has identified as EU RoHS compliant have a maximum concentration of 0.1% by weight in homogenous materials for lead, hexavalent chromium, mercury, PBB, PBDE, DBP, BBP, DEHP, DIBP, and 0.01% for cadmium, or qualify for an exemption to these limits as defined in the Annexes of Directive 2011/65/EU (RoHS2). Finished electrical and electronic equipment products will be CE marked as required by Directive 2011/65/EU. Components may not be CE marked. Additionally, the part numbers that TE has identified as EU ELV compliant have a maximum concentration of 0.1% by weight in homogenous materials for lead, hexavalent chromium, and mercury, and 0.01% for cadmium, or qualify for an exemption to these limits as defined in the Annexes of Directive 2000/53/EC (ELV). Regarding the REACH Regulation, the information TE provides on SVHC in articles for this part number is based on the latest European Chemicals Agency (ECHA) 'Guidance on requirements for substances in articles' posted at this URL: <https://echa.europa.eu/guidance-documents/guidance-on-reach>

Compatible Parts



TE Part # 926867-2
AM WIRE PIN 13-10 .013 PTPB



TE Part # 1-925552-0
AM WIRE PIN 20-17 AWG .0126 PTPPB



TE Part # 2-2150821-1
OCEAN_2.0_APPLICATOR-E-080F110F



TE Part # 2-2150821-2
OCEAN_2.0_APPLICATOR-E-080F110F



TE Part # 2150821-1
OCEAN_2.0_APPLICATOR-E-080F110F



TE Part # 2150821-2
OCEAN_2.0_APPLICATOR-E-080F110F



TE Part # 7-2150821-1
OCEAN_2.0_APPLICATOR-E-080F110F



TE Part # 7-2150821-2
OCEAN_2.0_APPLICATOR-E-080F110F



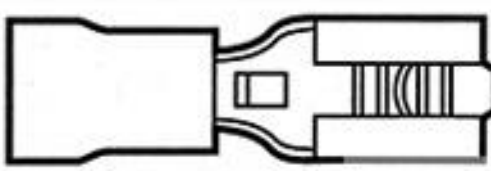
KIT
REPRESENTATION ONLY

TE Part # 7-2150821-7
OCEAN_2.0_SPARE_PART_KIT-080F110F

Customers Also Bought



TE Part #1-338096-1
MICRO-MATCH COSI CONTACT



TE Part #9-160483-5
187 PIDG FASTON REC



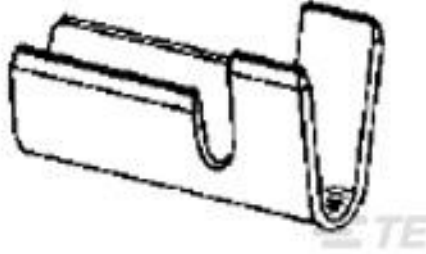
TE Part #5-160555-2
110 FASTON REC 20-18 AWG TPBR



TE Part #8-1676481-4
CPF 0603 24K 0.1% 25PPM 1K RL



TE Part #047011-000
AD-1522-1-CRIMPING-TOOL



TE Part #925553-1
AM WIRE PIN 17-13 .013 BR



TE Part #60-0172-011-000
CONTACT SOCKET 1 MM



TE Part #465333-1
SLUG BLADE



Documents

Product Drawings

[AM WIRE PIN 22-18 .013 PTPB](#)

English

CAD Files

[3D PDF](#)

3D

Customer View Model

[ENG_CVM_CVM_925667-2_G.2d_dxf.zip](#)

English

Customer View Model

[ENG_CVM_CVM_925667-2_G.3d_igs.zip](#)

English

Customer View Model

[ENG_CVM_CVM_925667-2_G.3d_stp.zip](#)

English

By downloading the CAD file I accept and agree to the [Terms and Conditions](#) of use.